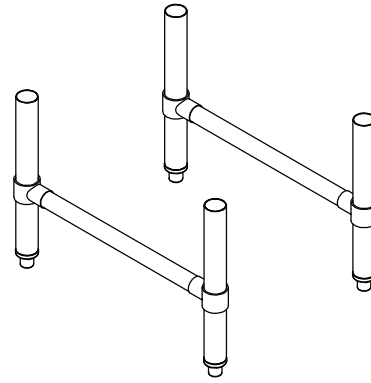
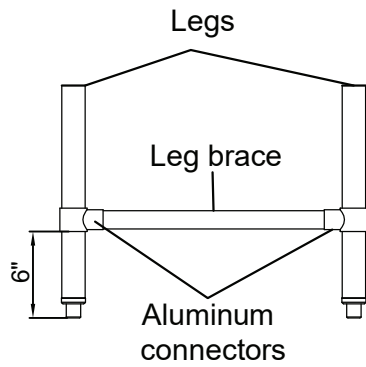
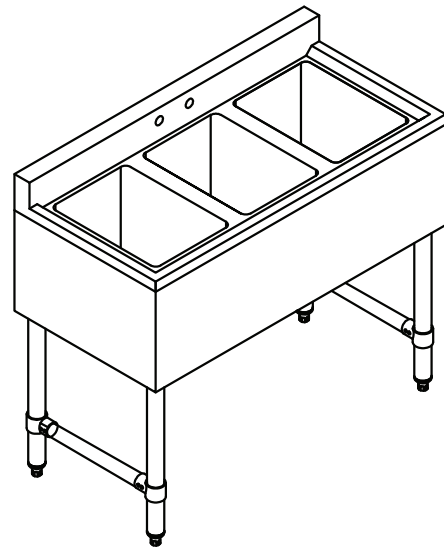
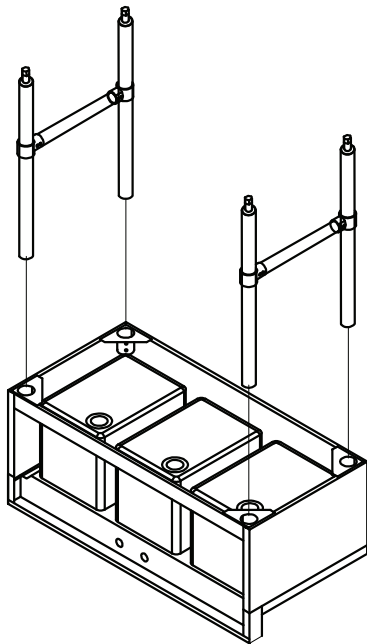


Main Parts			
No.	Pattern	Part name	Quantity
1		Main body	1
2		Legs	4
3		Leg bracing	2
4		Aluminum connectors	4

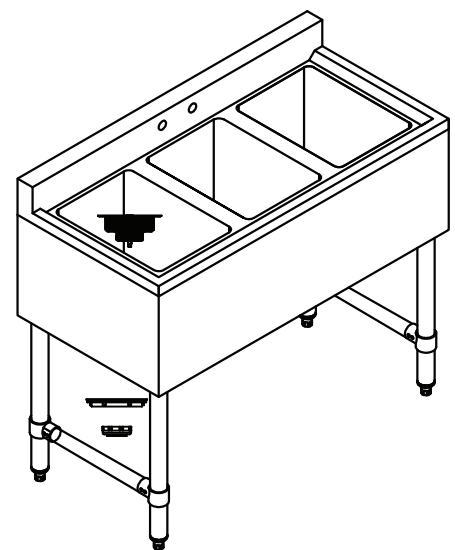
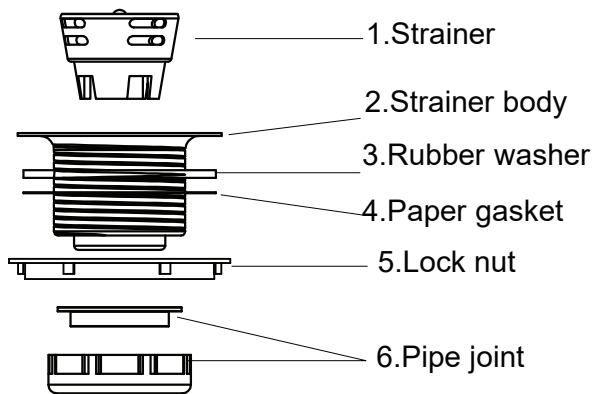
Accessories			
No.	Pattern	Part name	Quantity
①		M8*1*10 Screw	9
②		S4 Screw Wrench	1
③		1.5" Drain basket	Same quantities as tubs



1. Insert the leg brace into leg brace connectors, fix the leg brace with screws. Insert the legs through leg brace connectors at same level, fix the legs with screws, "H" shape legs are assembled.



2. Turn over the main body of barsink on the floor, insert the "H" shape legs into the sockets under the bar sink with 8*1*10 screws, tighten the screws, stand up the Bar sink



3. Put the rubber washer under the stainer body, insert them inside of the sink drain hole. Under the sink bowl, connect the paper gasket and lock nut to the stainer body in turn and tighten. After you purchasred the drain pipe, connect it with strainer body under the sink bowl by using pipe joint