



SPEC SHEET

KoolMore 35 in. Self-Service Countertop Display Refrigerator in White

Model: CDC-165-WH

FEATURES

- Bright LED top lighting
- Digital temperature controls and display
- Temperature range 33°F - 53°F
- Auto defrost
- Overall dimensions 34.6 in. L x 22.4 in. W x 27 in. H
- Front and Rear Doors to enhance the customers accessibility



CLOSE UP IMAGES



TECHNICAL SPECS

Dimensions

| | |
|-------------------------------|-------|
| Length | 34.6 |
| Width | 22.4 |
| Height | 27 |
| Interior Width | 33.15 |
| Interior Depth | 19.28 |
| Interior Height | 16.14 |
| Minimum Back Air Clearance In | 8 in. |
| Minimum Side Air Clearance In | 8 in. |
| Weightlbs | 145.5 |

Capacity

| | |
|---------------------------|---------|
| Gross Cubic Feet | 4.8 |
| Net Cubic Feet | 3.8 |
| Individual Shelf Capacity | 33 lbs. |

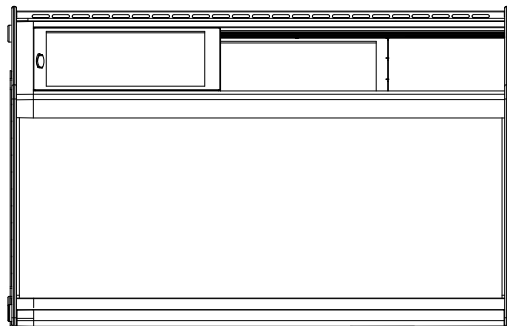
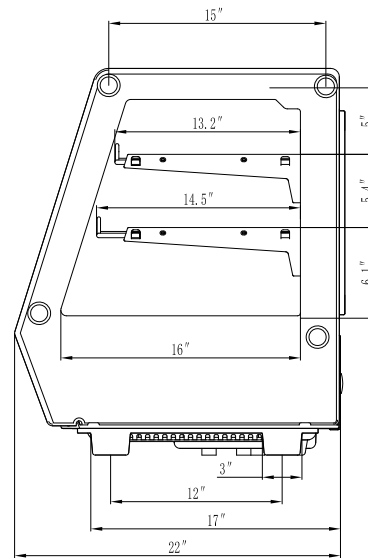
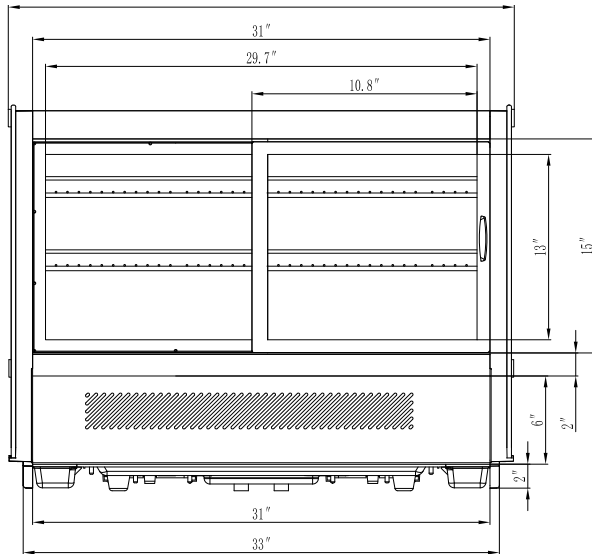
Features & Materials

| | |
|---------------------------|--------------------------------|
| Control Type | Digital |
| Defrost Type | AUTOMATIC |
| Temperature Range | 32-53.6 F |
| Ambient Temperature Range | 53.6-86 F |
| Number Of Doors | 4 |
| Door Style | Sliding |
| Number Of Shelves | 2 |
| Shelves Adjustable | Yes |
| Legs Adjustable | No |
| Exterior Material | Glass, Sheet Metal and Polymer |
| Interior Material | Glass, Sheet Metal and Polymer |
| Shelf Material Type | Chrome Plated Metal Wire |
| Legs Material | Polymer |
| Refrigerant Type | R-290 |
| Compressor Location | bottom |

Electric & Certification

| | |
|------------------------------|--------------------------------------|
| Amps | 3 |
| Hertz | 60 |
| Phase | 1 |
| Voltage | 120 |
| Wattage | 270 |
| Plug Type | NEMA 5-15P |
| Power Cord Length | 94.5 |
| Electrical Installation Type | Plug-in |
| Certifications | ETL listed for Safety and Sanitation |

Plan View



706 Eastern Parkway STE 1G, Brooklyn NY 11213
718-576-6342
info@koolmore.com