



SPEC SHEET

KoolMore 27 in. Countertop Display Refrigerator - 4.6 Cu Ft.

Model: CDC-4C-BK

FEATURES

- Beautiful LED lighting on both sides.
- Digital temperature controls.
- Space-saving countertop design.
- Two adjustable shelves.
- Five-sided double glass for durability and insulation.
- Front curved glass.
- Rear sliding glass doors.
- Bottom Mounted compressor.
- Ventilated cooling system.
- Automatic defrost.



CLOSE UP IMAGES



TECHNICAL SPECS

Dimensions

Length	27.4
Width	22.8
Height	26.7
Interior Width	26.18
Interior Depth	20.35
Interior Height	19.37
Minimum Back Air Clearance In	8 in.
Minimum Side Air Clearance In	8 in.
Weightlbs	121.2

Capacity

Gross Cubic Feet	3.7
Net Cubic Feet	3.13
Individual Shelf Capacity	33 lbs.

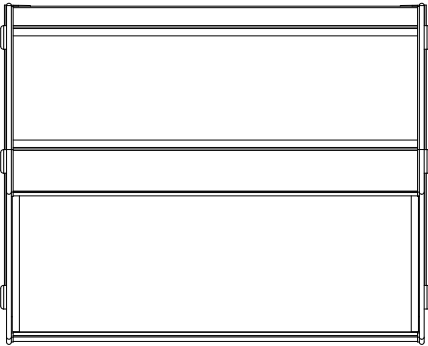
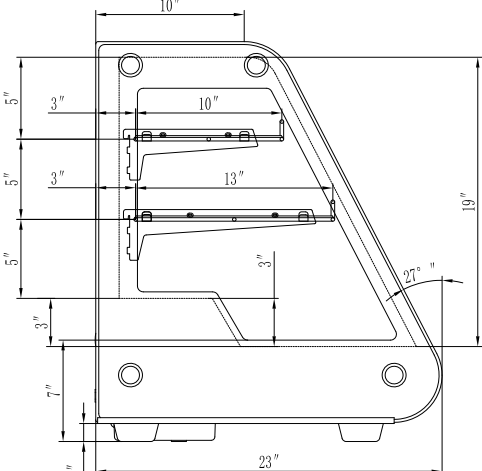
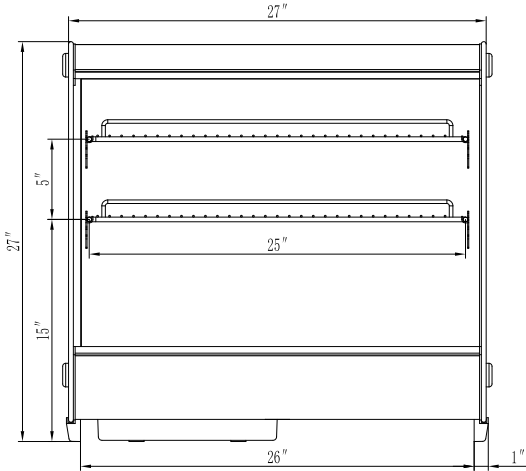
Features & Materials

Control Type	Digital
Defrost Type	AUTOMATIC
Temperature Range	32-53.6 F
Ambient Temperature Range	53.6-86 F
Number Of Doors	2
Door Style	Sliding
Number Of Shelves	2
Shelves Adjustable	Yes
Legs Adjustable	No
Exterior Material	Glass, Sheet Metal and Polymer
Interior Material	Glass, Sheet Metal and Polymer
Shelf Material Type	Chrome Plated Metal Wire
Legs Material	Polymer
Refrigerant Type	R-290
Compressor Location	Bottom Mounted

Electric & Certification

Amps	3
Hertz	60
Phase	1
Voltage	120
Wattage	190
Plug Type	NEMA 5-15P
Power Cord Length	94.5
Electrical Installation Type	Plug-in
Certifications	ETL listed for Safety and Sanitation

Plan View



706 Eastern Parkway STE 1G, Brooklyn NY 11213
718-576-6342
info@koolmore.com