



SPEC SHEET

KoolMore 19 in. Circular Refrigerated Countertop Bakery Display Case

Model: CDUR-3C

FEATURES

- Bright LED top lighting
- Digital temperature controls and display
- Temperature range 33°F - 53°F
- Auto defrost
- Overall dimensions 18.9 in. L x 18.9 in. W x 40.6 in. H



CLOSE UP IMAGES



TECHNICAL SPECS

Dimensions

Length	18.9
Width	18.9
Height	40.6
Interior Width	17.32
Interior Depth	17.32
Interior Height	25.9
Minimum Back Air Clearance In	5 in.
Minimum Side Air Clearance In	Not Required
Weightlbs	110

Capacity

Gross Cubic Feet	5.3
Net Cubic Feet	2.5
Individual Shelf Capacity	22 lbs.

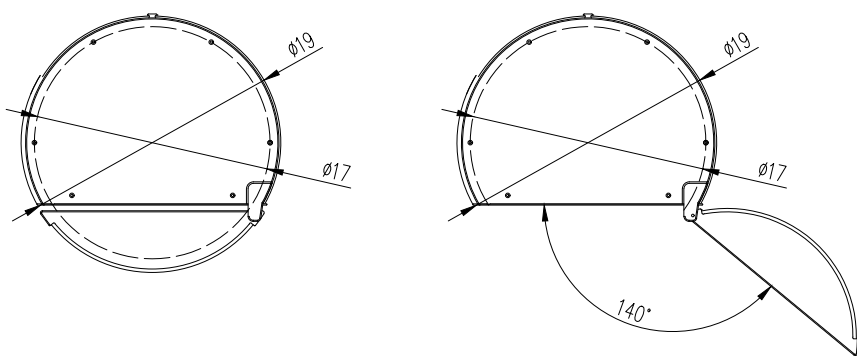
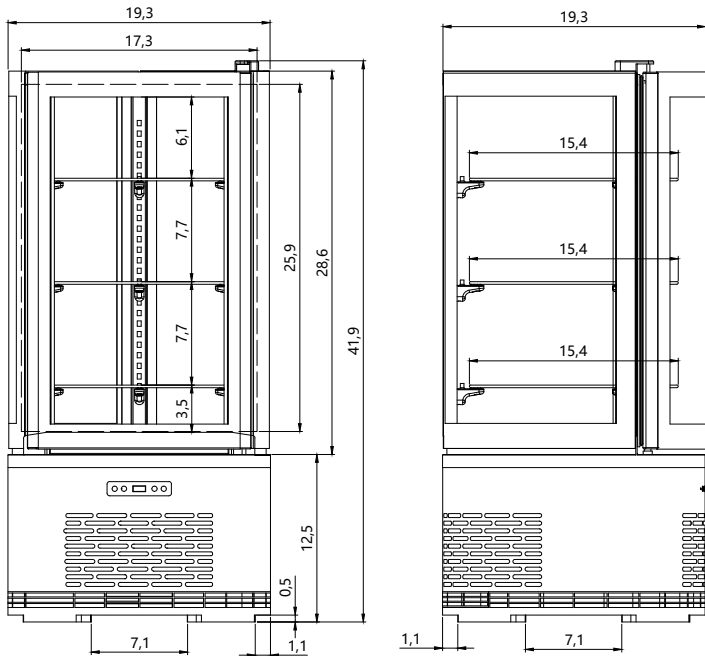
Features & Materials

Installation Type	Countertop
Control Type	Digital
Temperature Display Type	Digital
Defrost Type	AUTOMATIC
Refrigerant Type	R-290
Compressor Location	bottom
Temperature Range	32-53.6 F
Ambient Temperature Range	53.6-86 F
Door Style	Sliding
Number Of Shelves	2
Shelf Material Type	Glass
Shelves Adjustable	Yes
Exterior Material	Stainless-Steel, Tempered Glass and Polymer
Interior Material	Stainless-Steel and Polymer
Color Finish	Stainless-Steel
Color Door Handles	Chrome
Legs Material	Steel / Polymer
Legs Adjustable	No
Feature One	

Electric & Certification

Amps	1.95
Hertz	60
Phase	1
Voltage	120
Wattage	210
Plug Type	NEMA 5-15P
Power Cord Length	94.5
Electrical Installation Type	Plug-in
Certifications	ETL listed for Safety and Sanitation

Plan View



CERTIFICATIONS



Intertek



Intertek



718-576-6342
 info@koolmore.com