



SPEC SHEET

KoolMore 6 Qt. Three-Section Electric Countertop Food Warmer.

SKU: CFW-3

FEATURES

- Large-Capacity Food Warmer
- Traditional Bain Marie System
- Three Deep, Large Capacity Serving Sections
- Sleek and Durable Corrosion-Resistant 20 Gauge Stainless Steel
- Warming Function with Indicator Light



CLOSE UP IMAGES



TECHNICAL SPECS

Dimensions

Length	22.56
Width	13.31
Height	11.22
Power Cord Length	60

Capacity

WeightLbs	21.83
Maximum Depth Of Pans	5.9
Pan Capacity	3 1/3 GN Pans
Water Capacity	3.7-7 Qts.

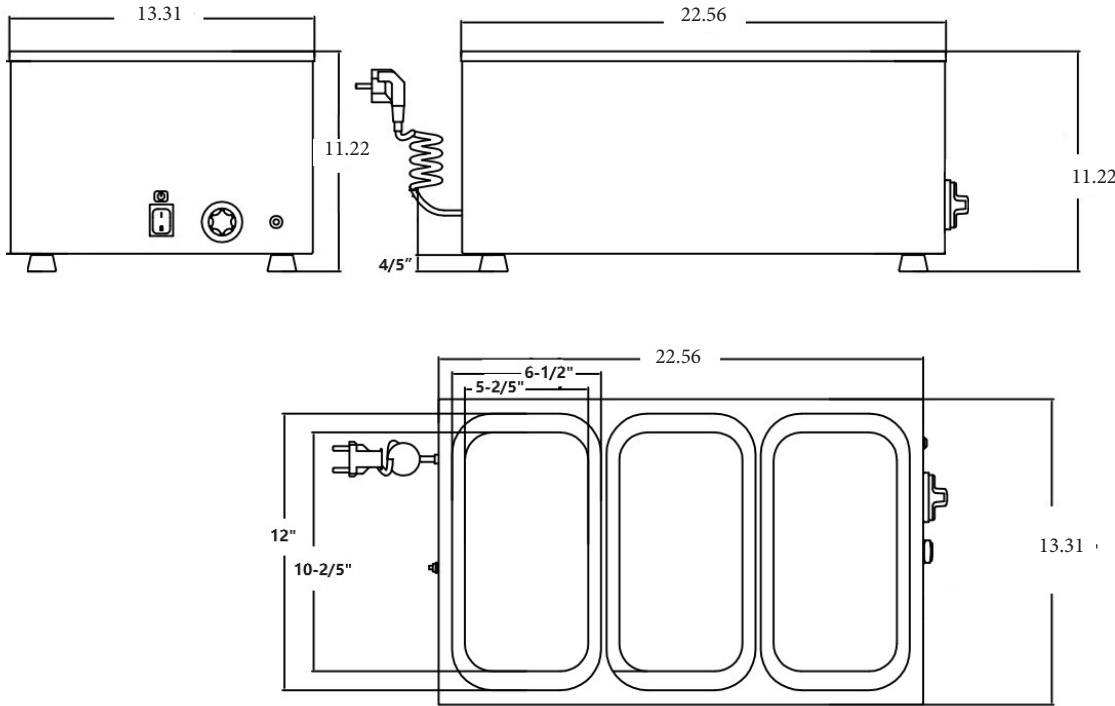
Features & Material

Temperature Range	88-203 F
Number Of Temperature Zones	1
Warming Time After Unplugging Min	1-2 Hours
Control Type	Manual (Knob and Switch)
Legs Adjustable	No
Hot Surface Indicator Lights	Yes
Color Finish	Stainless-Steel
Exterior Material	Stainless-Steel 201
Gauge Of Stainless Steel	24
Feet Material	Rubber

Electric Data & Certifications

Amps	10.9
Hertz	60
Phase	1
Plug Type	NEMA 5-15P
Voltage	110
Wattage	1200
Certifications	ETL Listed for Safety and Sanitation

Plan View



CERTIFICATIONS



706 Eastern Parkway STE 1G, Brooklyn NY 11213
718-576-6342
info@koolmore.com