



SPEC SHEET

KoolMore 10 in. Semi Automatic Slicer.

SKU: CMS-10S

FEATURES

- Commercial Food Slicing Machine
- Electric Semi-Auto Meat Slicer
- Adjustable Thickness for Precision Cuts
- Chrome-Plated Carbon Steel Blade
- Transparent Safety Shield
- Sturdy, Slip-Resistant Base
- Meets ETL and NSF Certifications
- 1/5 HP



CLOSE UP IMAGES



TECHNICAL SPECS

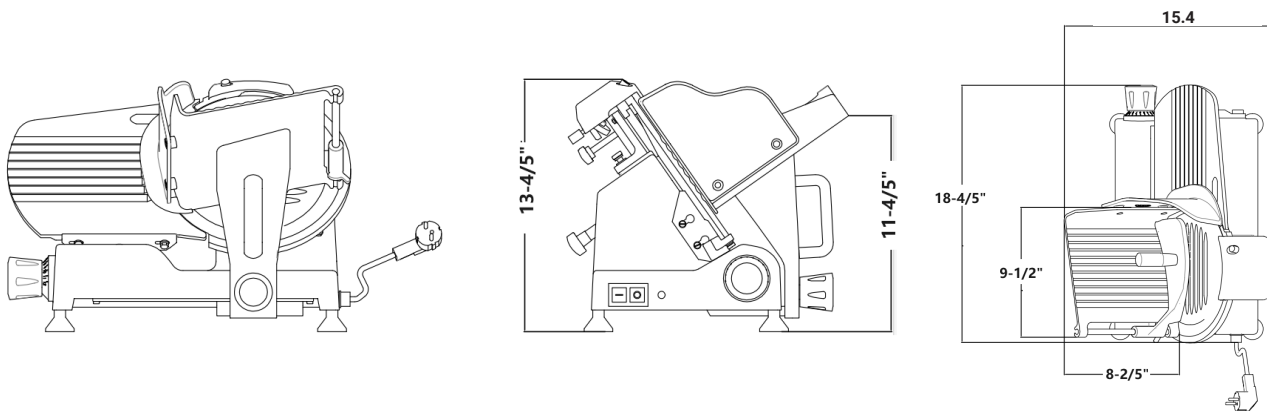
Dimensions

Length	21.02
Width	19.17
Height	16.42
Weight Lbs	35.94

Electric Data & Certifications

Amps	1.36
Hertz	60
Phase	1
Voltage	110
Wattage	150
Horsepower	0.33
Certifications	ETL Listed for Sanitation

Plan View



CERTIFICATIONS



706 Eastern Parkway STE 1G, Brooklyn NY 11213
718-576-6342
info@koolmore.com