



# SPEC SHEET

## KoolMore 24" x 60" 18-Gauge 304 Stainless Steel Commercial Work Table with Casters

Model: CT2460-18C

### FEATURES

- Four caster wheels
- Stain, rust, and odor resistant
- Built-in LED lighting
- 2 adjustable shelves
- Quick-Installation and Movability
- Clear, Wide, Curved Glass Front
- Maximum Visibility and Convenience
- Digital temperature controls and display.
- Auto defrost



### CLOSE UP IMAGES



# Technical Specs

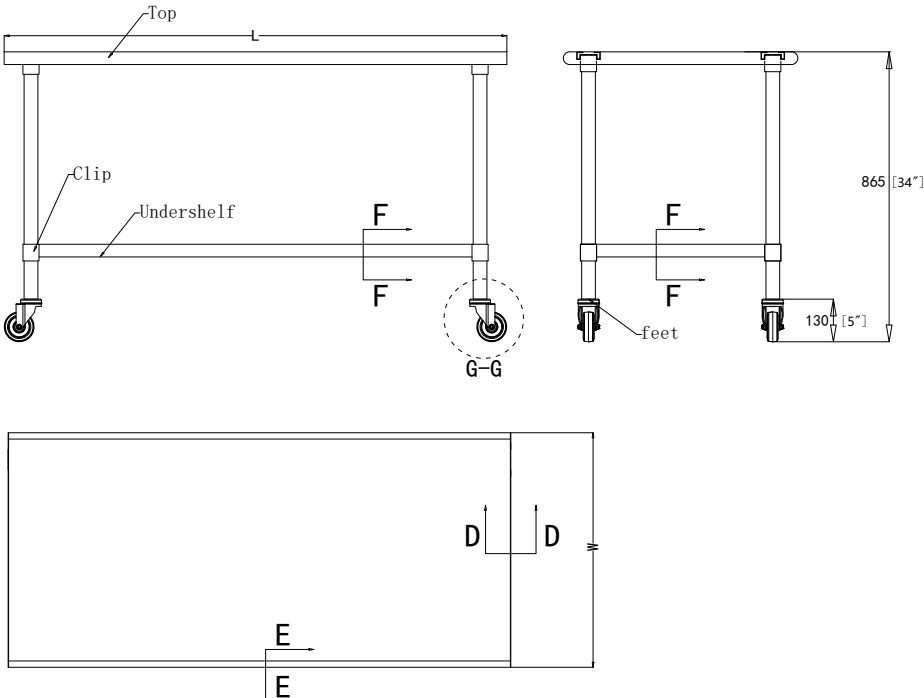
## Dimensions

Length	24
Width	60
Height	35
Shelf Width	60
Shelf Depth	24
Weightlbs	58

## Features & Certifications

Top Capacity	650 lbs.
Exterior Material	430 Stainless-Steel
Gauge Of Stainless Steel	18
Certifications	NSF Certified for Sanitation

# Plan View



## CERTIFICATIONS



718-576-6342  
info@koolmore.com