



SPEC SHEET

KoolMore 23 in. Commercial Countertop Bakery Display Case with Front Curved Glass and Rear Door, 2.4 cu.

Model: DC-2CN

FEATURES

- Stainless steel body
- All glass-sided for maximum visibility
- Rear doors with stay-open feature for easy load
- Countertop design
- Designed with double pane tempered glass for durability and insulation



CLOSE UP IMAGES



Technical Specs

Dimensions

Length	23.6
Width	13.7
Height	20.4
Interior Depth	22.6
Interior Width	13.31
Interior Height	17.87
Weightlbs	56

Capacity

Gross Cubic Feet	2.3
Net Cubic Feet	1.9
Individual Shelf Capacity	11 lbs.

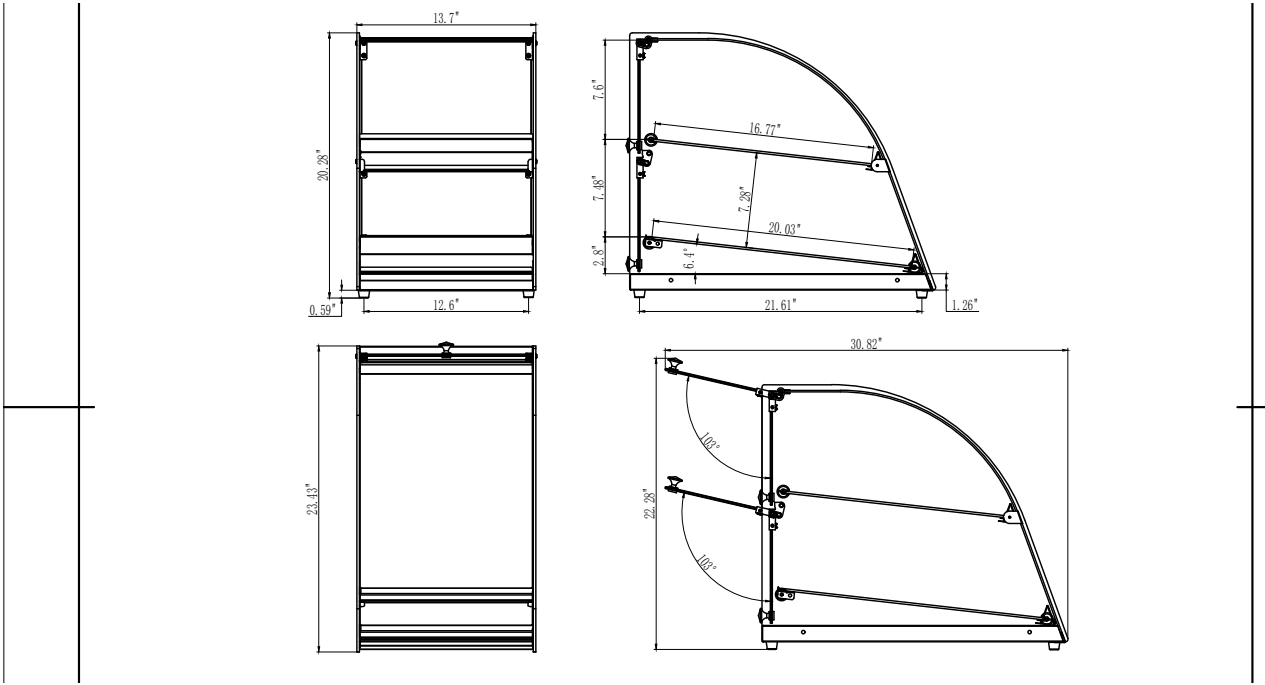
Features & Materials

Door Style	Vertical Swing
Number Of Doors	2
Number Of Shelves	1
Shelf Material Type	Glass
Glass Type	Tempered
Exterior Material	Glass and Sheet Metal
Number Of Feet	4
Feet Material	Rubber
Legs Adjustable	No
Color Finish	Transparent and Stainless-Steel

Certifications

Certifications	ETL Listed for Sanitation
----------------	---------------------------

Plan View



CERTIFICATIONS



Intertek



718-576-6342
info@koolmore.com