



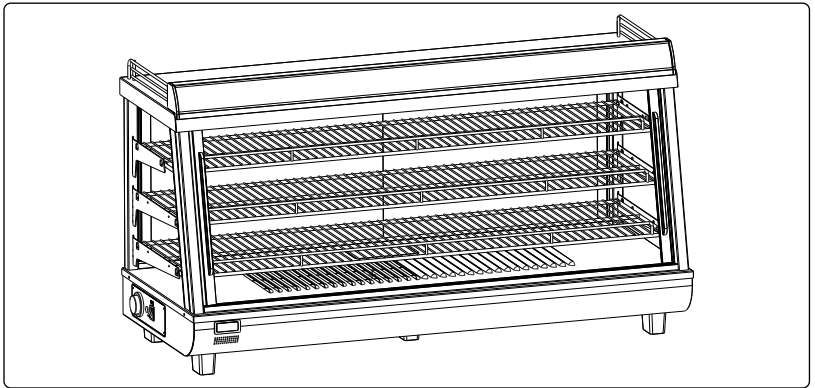
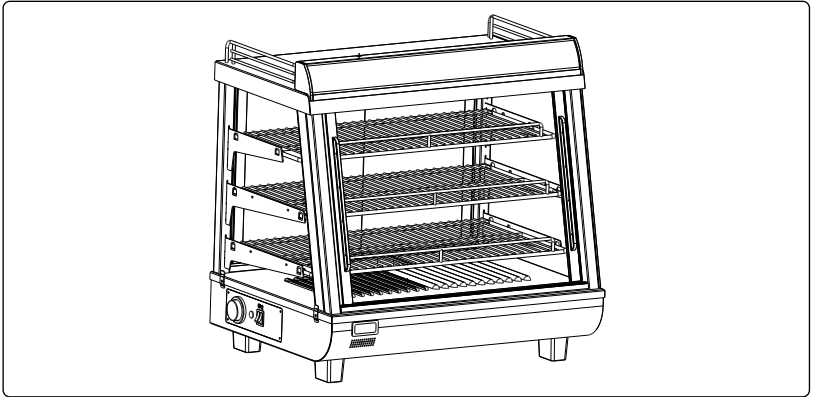
USER MANUAL

DISPLAY WARMER

Opened-Air Countertop Display Warmer

Models:

HDC-3C-SS, HDC-6C-SS



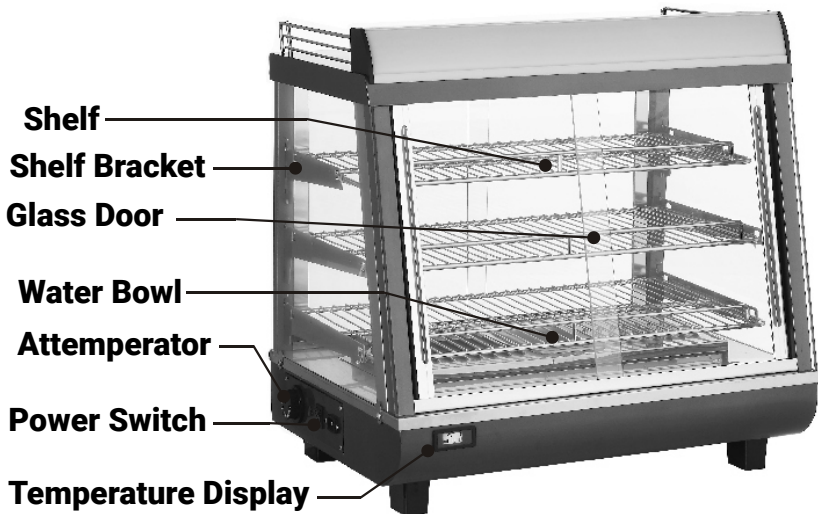
Before using, please read the operating instructions carefully to ensure proper application and achieve satisfactory results.

**For any service-related issues, please contact us: Phone Number: 718-576-6342
Email address: support@koolmore.com**

Contents

Structure and Parts	1.
Safety	2.
Preparation and Power Supply	3.
Circuit Diagram..	3.
Installation and Operation	4.
Cleaning and Maintenance	5.
Major Parameters	6.
Warranty	7.

Structure and Parts



Safety

- This appliance should not be operated by individuals (including children) with limited physical, sensory, or mental abilities, or those lacking experience and knowledge, unless they are supervised or properly instructed.
- Supervised children should not play with the appliance.
- Children aged 8 years and above and persons with reduced physical, sensory, or mental capabilities, or lack of experience and knowledge, may use this appliance if they are supervised and instructed on how to use it safely, understanding the risks involved.
- Children should not play with the appliance.
- Cleaning and routine maintenance should not be performed by children without adult supervision.
- If the supply cord becomes damaged, it must be replaced by the manufacturer, a service agent, or similarly qualified individuals to avoid potential hazards.
- Do not use any form of pressurized water jet to clean the device.
- To ensure safety and optimal performance, do not modify or alter the device unless explicitly approved by the manufacturer. This device should only be operated in a technically sound and safe condition.
- Never leave the device unattended during operation and keep it out of reach of children.
- Safely store this manual. If transferring or selling the device, include the manuals with it.
- Every user must follow the instructions in the manuals and adhere to the safety guidelines.
- The device is intended for indoor use only.
- Any technical interventions, assembly, and maintenance should be performed by a qualified service professional only.

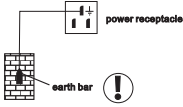
Cautions

- Ensure that children are supervised to prevent them from playing with the appliance.
- If the supply cord becomes damaged, it must be replaced by the manufacturer, their service agent, or similarly qualified individuals to prevent potential hazards.

Preparation and Power Supply

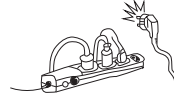
Grounded Power Socket

Ensure the warmer is connected to a power outlet that provides a reliable ground connection.



Socket Exclusivity

Avoid connecting the warmer to a shared power socket with other appliances. This could result in the cable overheating, potentially causing a fire.



Cable Protection

Do not damage or alter the electrical cables, as this can result in electrical leakage or a fire.



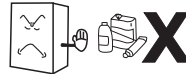
Avoid Water Exposure

Avoid flushing or exposing the device to water. This could lead to electrical leakage.

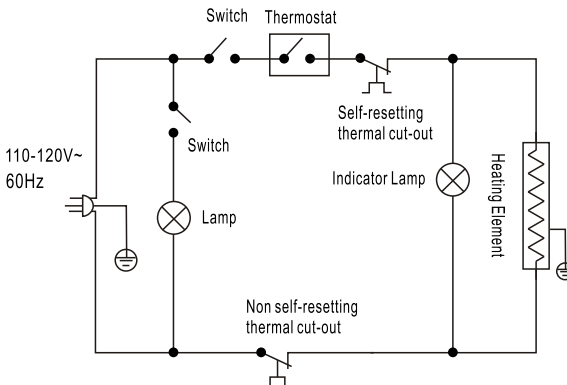


Avoid Flammables and Explosives

Never store flammable or explosive materials inside or near the device. This includes substances such as ether, gasoline, alcohol, adhesives, and explosives.



Circuit Diagram



HDC-3C-SS / HDC-6C-SS

Installation and Operation

Operation:

- Before the first use, clean the inner surfaces and playing grids with a soft cloth and a mild cleaning agent. Afterwards, thoroughly dry the device.
- Remove the water bowl from the device, which is installed inside, and then fill it with water.
- Connect the device to a single grounded power socket.
- Set the required temperature for the respective foods. You can adjust the desired temperature in the range between 30-90°C (86-194°F).
- The temperature inside the hot display can be read from the front display.
- Put the foods in appropriate containers before placing them inside the hot display, and close it using the sliding door.
- Some parts of the device can become very hot. Always use safety gloves when placing or removing foods.
- The foods are kept warm at the temperature you previously set.
- To place or remove foods, you can open the door at the rear side.
- Switch on the inner light as required using the device's light switch.
- Disconnect the device from the power socket when it is not in use.

Remember, safety should be your primary concern when operating this device. Always handle hot elements with care and use gloves where necessary.

Installation:

- Position the device on a flat, stable surface that can adequately support the device's weight and is not sensitive to heat.
- Avoid placing the device on an inflammable surface such as table cloths, carpets, etc.
- Do not place the device near open fireplaces, electric ovens, arc furnaces, electric heaters, or other sources of heat.
- Ensure that the device is positioned in a way that allows easy access to the plug. This will make it easier for you to disconnect the appliance when needed.

Remember to always prioritize safety during installation and ensure you're following all the instructions correctly. If you're unsure, it's best to seek professional help.

Cleaning and Maintenance

Cleaning Instructions:

- For regular upkeep, it's essential to clean the device frequently.
- Use a soft, moist cloth and a gentle cleaning solution to clean both the inside and outside of the device.
- Clean the grids and the housing with a soft, damp cloth and a mild cleaning agent.
- Make it a routine to clean the water bowl, removing any calcification using standard cleaning agents or liquids.
- When cleaning, only use a soft cloth and steer clear of abrasive substances or pads which could scratch the surfaces.
- Post cleaning, utilize a soft, dry cloth to wipe and polish the device's surfaces.
- Prior to storing the device in a dry location, confirm that it has been properly cleaned.

Maintenance Guidelines:

- Periodically inspect the main power cord for any signs of damage. If the cord is damaged, discontinue using the device. Damaged cords should be replaced by a qualified electrician.
- Repairs and maintenance tasks should be performed by a qualified technician only. It is not recommended to attempt device repairs independently.
- It is crucial to disconnect the appliances from their power supply during cleaning or maintenance procedures, and when undertaking part replacements.

Safety Precautions:

- Keep a watchful eye on children to ensure they do not play with the appliance.
- If the supply cord is compromised, it must be replaced by the manufacturer, its authorized service agent, or a suitably qualified person to avoid safety hazards.

Major Parameters

Model	HDC-3C-SS	HDC-6C-SS
Temperature Range (°F)	86° - 194°	86° - 194°
General Rated Input Power (W)	1000	1500
Rated Current (A)	9.5	12.8
Rated Voltage (V)	110-120	110-120
Rated Frequency (Hz)	60	60
Storage Volume (Cu.Ft)	3.3	6.5
Net Weight (lbs)	73.8	117.9
Waterproof Grade	IPX4	IPX4
Overall Dimension (IN) (LxWxH)	26.6" x 19.1" x 26.1"	47.7" x 19.1" x 26.1"

Note

- If there have been any changes, the final electric circuit diagram and parameters are those stated on the product nameplate.
- The design may be improved without prior notice.



Caution! Hot Surface

Do not put the food direct contact with the shelf.

Disposal Instructions



The crossed-out wheeled dustbin symbol indicates that electrical appliances should not be disposed of as unsorted municipal waste. Instead, utilize separate collection facilities.

For information regarding the available collection systems, contact your local government. If electrical appliances are improperly disposed of in landfills or dumps, hazardous substances can leak into the groundwater and enter the food chain, posing risks to health and well-being.

When replacing old appliances with new ones, check with your retailer about any haul-away or recycling programs they may offer for your old appliance. Remember to also check local regulations and available recycling programs in your area to ensure proper disposal.



WARRANTY

LIMITED WARRANTY

LIMITED WARRANTY KOOLMORE SUPPLY, INC. warrants to the original consumer or purchaser this KOOLMORE product is free from defects in material or workmanship for a period of One (1) year from the date of purchase. If any such defect is discovered within the warranty period, KOOLMORE SUPPLY, INC., at its discretion, will repair or replace the product at no cost or pay for replacement parts and repair labor to correct defects in materials or workmanship that existed when this major appliance was purchased or that are the result of normal usage when this major appliance is installed, operated and maintained according to instructions attached to or furnished with the product, At its sole discretion. Koolmore Supply Inc may determine to replace the product. In the event of product replacement, your appliance will be warranted for the remaining term of the original unit's warranty period.

This limited warranty is good only to the original purchaser of the product and effective only when used in the United States.

This limited warranty is effective from the date of original consumer purchase. Proof of original purchase date is required to obtain service under this limited warranty.

YOU'RE SOLE AND EXCLUSIVE REMEDY UNDER THIS LIMITED WARRANTY SHALL BE PRODUCT REPAIR AS PROVIDED HEREIN.

Service must be provided by a Koolmore designated service company.

For warranty or repair service: Email us at support@koolmore.com include your name, address, phone number, warranty repair request, and a copy of your proof of purchase receipt.

You can also visit us at koolmore.com and use the contact us page.

KOOLMORE customer service will contact you and arrange prompt service for your appliance.

Thank you for choosing KOOLMORE.

THIS LIMITED WARRANTY DOES NOT APPLY TO

- 1.Failure of product to perform during power failures and interruptions or inadequate electrical service
- 2.Damage caused by transportation or handling.
- 3.Damage caused to the product by accident, vermin, lightning winds, fire, floods, or acts of God.
- 4.Damage resulting from accident, alteration, misuse, abuse, or improper installation, repair, or maintenance. Improper use includes using an external device that alters or converts the voltage or frequency of electricity
- 5.Any unauthorized product modification, repair by unauthorized repair center, or use of non-approved replacement parts.
- 6.Abnormal cleaning and maintenance as described in the user's manual.
- 7.Use of accessories or components that are not compatible with this product.

The cost of repair or replacement under these excluded circumstances shall be borne by the consumer.

