
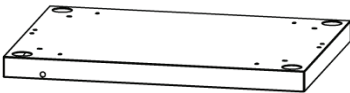

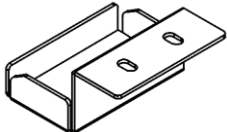
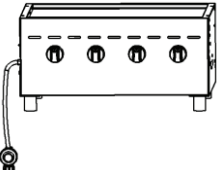
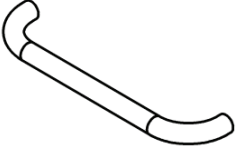
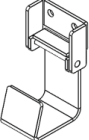
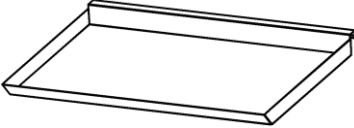
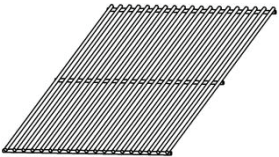

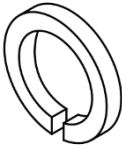
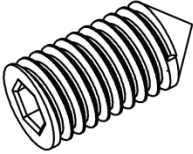

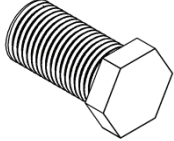
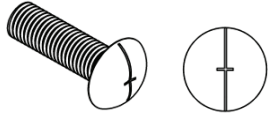


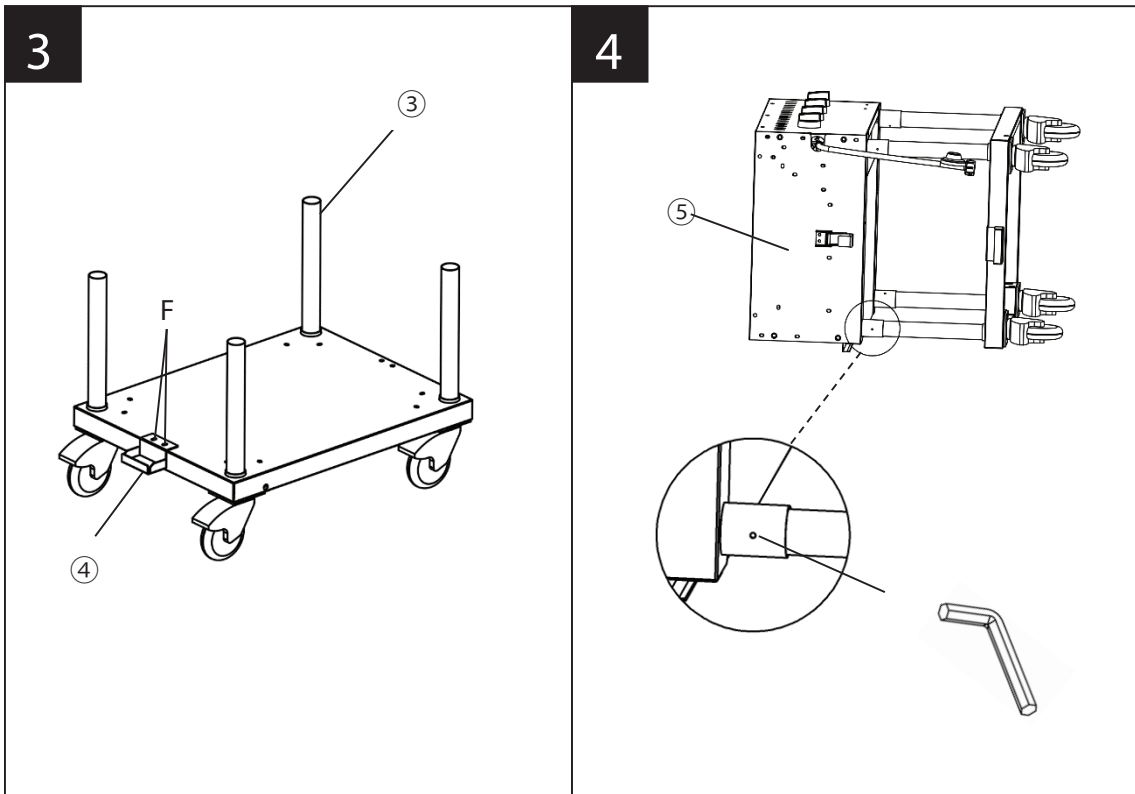
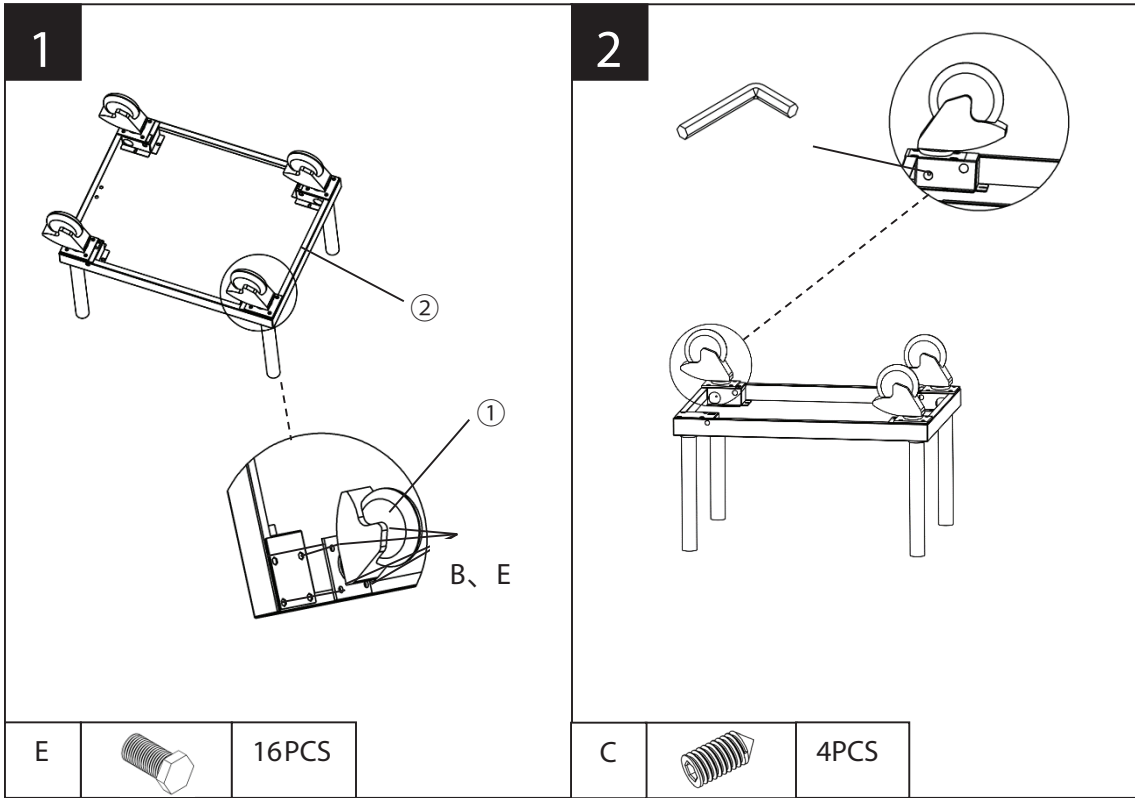


INSTALATION

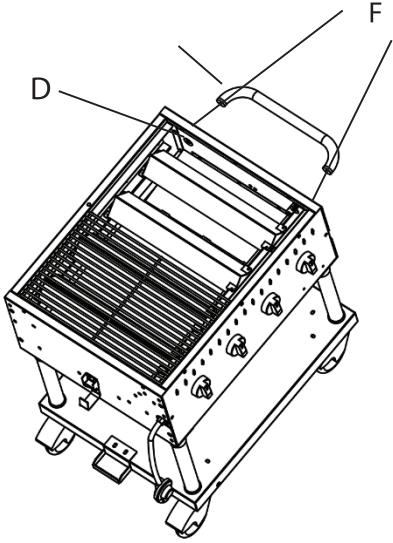
PARTS:

① *4 	② *1 	③ *4 
④ *1 	⑤ *1 	⑥ *1 
⑦ *1 	⑧ *1 	⑨ *2 
A *1 	B M8*18 	C M5*10 
D M6*2 	E M8*20 *18 	F M6X16*8 

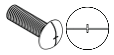
Assembly:



5

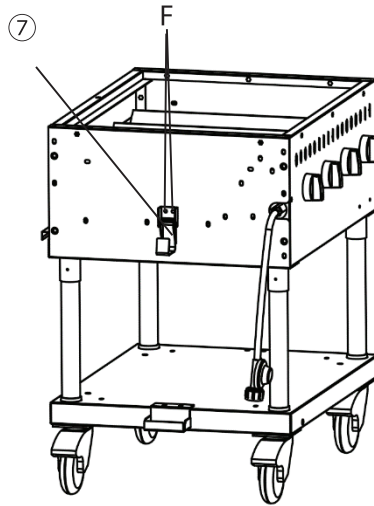


F

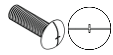


2PCS

6

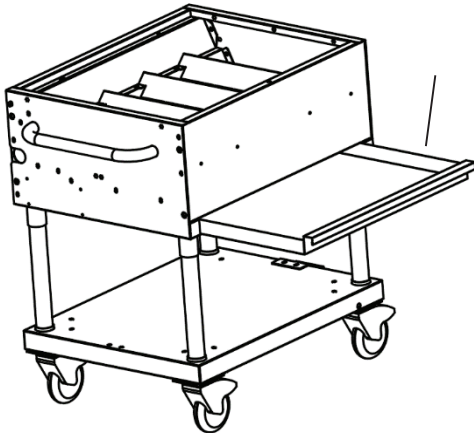


F

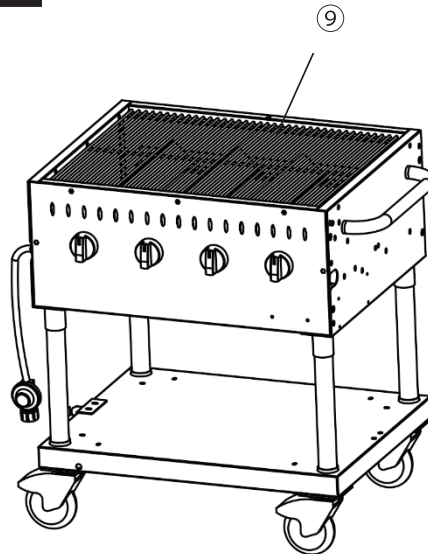


2PCS

7



8



MATCH LIGHT

1. If the burner does not light after several attempts, it can be lit with a match. Before using the match, wait 5 minutes for any accumulated gas to dissipate.
2. Clip a paper match on one end of the lighting rod.
3. Light the match.
4. Hold the lighting rod and place the lit match right next to the burner ports or ceramic tile.
5. The burner should ignite immediately.