



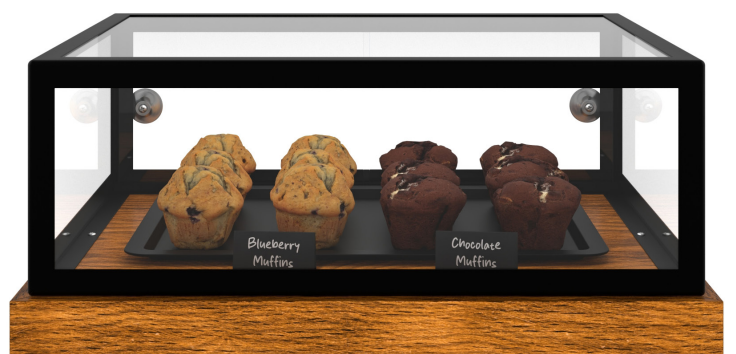
# SPEC SHEET

## 20 In. Wood and Glass Muffin, Cake Bakery Display Case

**Model:** KM-BDW-20MUF

### FEATURES

- **Modern Black-Frame Design:** Sleek metal edging paired with clear glass panels creates a contemporary display that complements any décor.
- **Warm Wood-Grain Base:** Rich ash-wood interior and sturdy wooden platform add natural beauty and durability for everyday use.
- **Crystal-Clear Visibility:** Tempered-glass sides and top provide unobstructed, multi-angle viewing to help boost impulse sales.
- **Smooth Sliding Doors:** Rear sliding glass panels with chrome pull knobs allow easy access for serving while keeping contents protected.
- **Compact Countertop Size:** Space-efficient 20" × 15" footprint fits comfortably on bakery counters, café shelves, or display tables.
- **Perfect for Pastries and Small Cakes:** Ideal height and interior layout for showcasing muffins, cookies, pastries, mini cakes, and more.



# Technical Specs

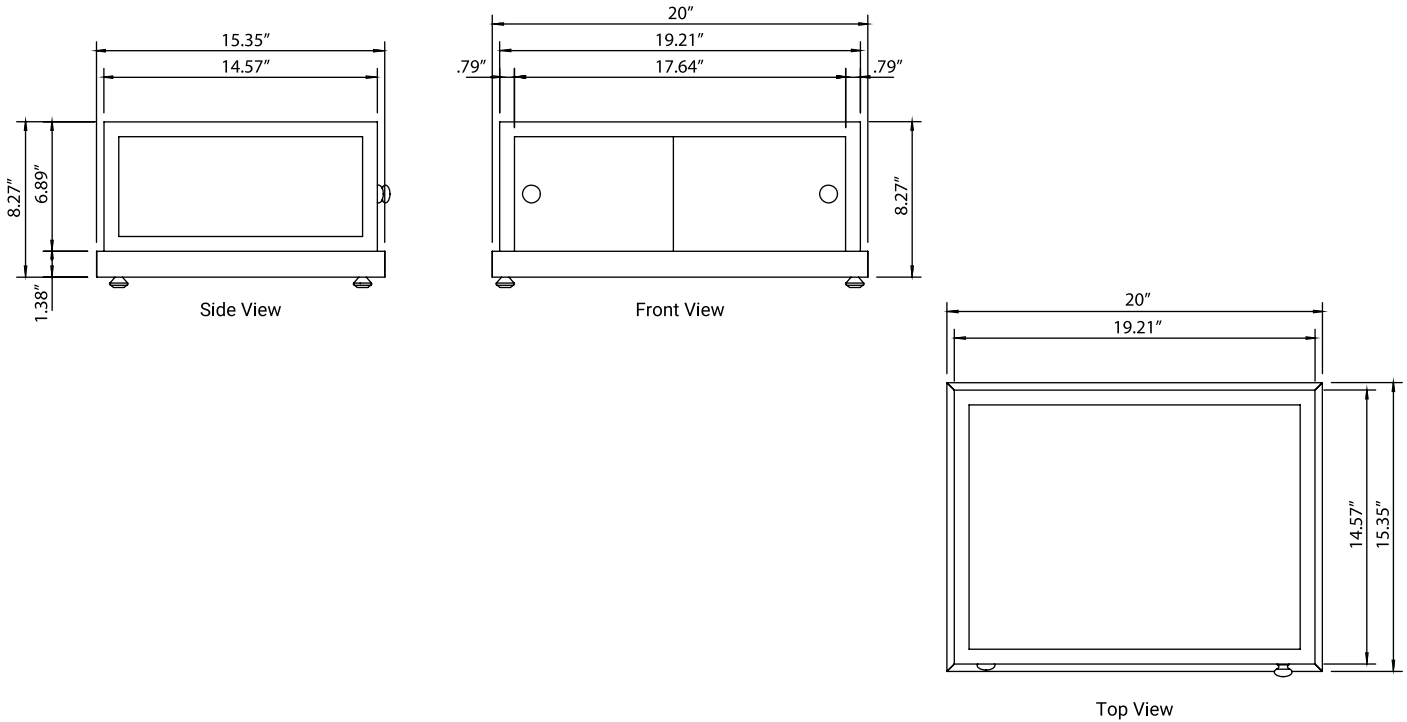
## Dimensions & Weight

Height	8.3"
Length	20"
Width	15"
Weight lbs.	18"
Interior Height	5.9"
Interior Depth	12.6"
Interior Width	17.6"

## Features & Materials

Legs Adjustable	No
Color	Brown/Black
Exterior Material	Iron and Wood
Glass Type	Tempered
Shelf Material Type	Plywood
Wood Type	Ash
Number of Tiers	1
Individual Shelf Capacity	22 lbs.
Number of Doors	2
Door Style	Sliding
Self Serve	No
Cleaning	Cloth
Assembly Required	No

# Plan View



718-576-6342  
 info@koolmore.com