



# SPEC SHEET

## KoolMore 72 in. Commercial Chef Base Refrigerator Storage Cabinet for Cold Foods

SKU: KM-BR-724D

### FEATURES

- Chef-Based Refrigerator Cabinet
- Digital Temperature Control
- Stainless-Steel Finish
- Automatic Defrost
- Temperature Range: 33-40°F
- ETL Listed for Safety and Sanitation



### CLOSE UP IMAGES



# TECHNICAL SPECS

## Dimensions

Depth	72.4
Width	32.1
Height	25.9
Interior Depth	22.5
Interior Width	60.6
Interior Height	15.7
Shelf Width	NA
Shelf Depth	NA
Depth Including Handles	32.1
Depth Excluding Handles	32.1
Depth Less Door	32.1
Depth With Door Open 90 Degrees	53.6
Power Cord Length	98.5

## Capacity

Weight	286
Gross Cubic Feet	15.9
Net Capacity Cu. Ft.	13.6
Individual Drawer Capacity	88
Top Capacity	1210

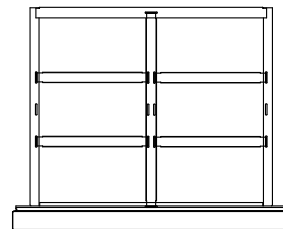
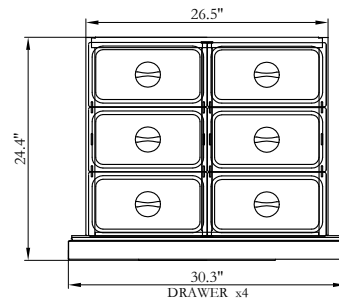
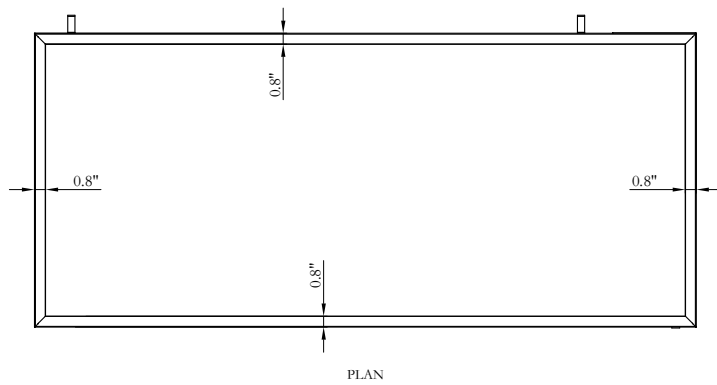
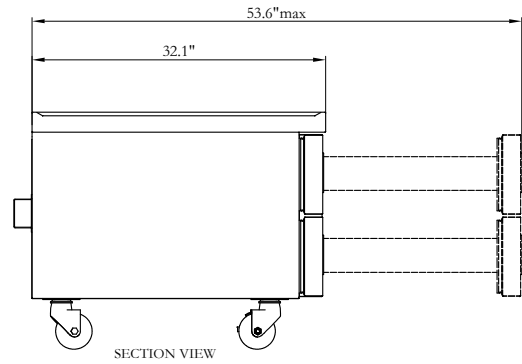
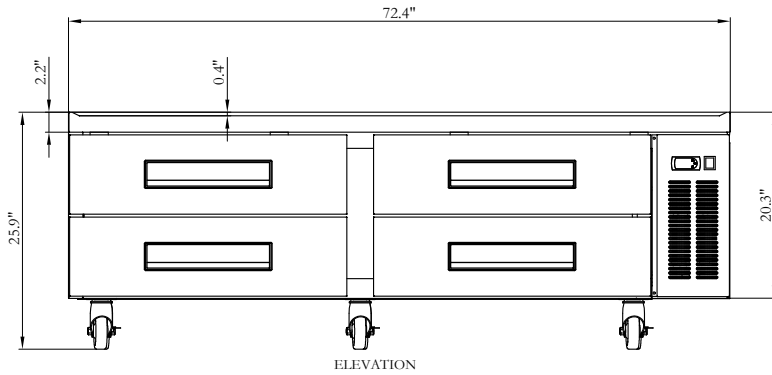
## Features & Material

Door Style	Drawer
Number Of Drawers	4
Top Material	SUS 304
Defrost Type	Automatic
Refrigerant Type	R290
Temperature Control Type	Digital
Ambient Temperature Range	90F
Temperature Range	33-40 F
Casters	6
Top Thickness	1.8
Top Style	Marine Edge
Interior Material	SS 201
Exterior Material	SS 430

## Electric Data & Certifications

Amps	6.5
Phase	1
Plug Type	NEMA 5-15P
Voltage	115
Hertz	60
Wattage	487
Horsepower	0.4
Certifications	ETL Listed for Safety and Sanitation

# Plan View



## CERTIFICATIONS



Intertek



Intertek



706 Eastern Parkway STE 1G, Brooklyn NY 11213  
718-576-6342  
info@koolmore.com