



SPEC SHEET

28 In. Stainless-Steel Professional Charcoal Oven with Warming Racks and Bottom Cabinet

Model: KM-CHO28-SS-TRB

FEATURES

- **Commercial-Grade Charcoal Oven for High-Heat Cooking:** Designed for professional kitchens, delivering authentic charcoal flavor with high-temperature performance for grilling, roasting, and baking.
- **Efficient Charcoal System with 7.7 lbs. Capacity:** Optimized fuel capacity provides extended cooking time while maintaining consistent, high heat output.
- **Durable Stainless-Steel Construction:** Built with stainless steel exterior and reinforced interior components, ensuring long-lasting durability and easy cleaning.
- **Spacious Cooking Chamber with Multi-Rack Flexibility:** Includes 3 racks (2 standard cooking racks + 1 kebab rack), allowing versatile cooking configurations for a wide range of menu items.
- **Upper Warming Rack for Finishing & Heat Management:** Features a 27.7" x 23" upper rack, ideal for holding cooked items, finishing dishes, or managing multiple heat zones.
- **Advanced Ventilation and Spark Control System:** Engineered with adjustable air intake, upper vent control, and spark-reducing exhaust design for enhanced safety and precise temperature control.
- **Integrated Chimney for Efficient Exhaust Management:** Helps direct smoke and heat safely while maintaining optimal cooking conditions.
- **Built-In Cabinet Base for Storage and Organization:** Includes a lower storage cabinet for keeping charcoal, tools, and accessories organized and within easy reach.



CLOSE UP IMAGES



Technical Specs

Dimensions & Weight

Length	29.13 in.
Width	29.33 in.
Height	66.66 in.
Weight	551.15 lbs.
Interior Width	30.31 in.
Interior Depth	25.2 in.
Interior Height	18.11 in.
Depth With Door Open 90 Degrees	44.49 in.

Certifications

Certifications	NSF Certified for Sanitation
----------------	------------------------------

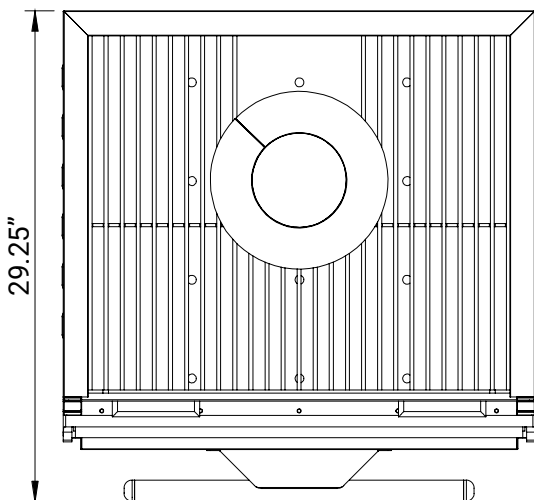
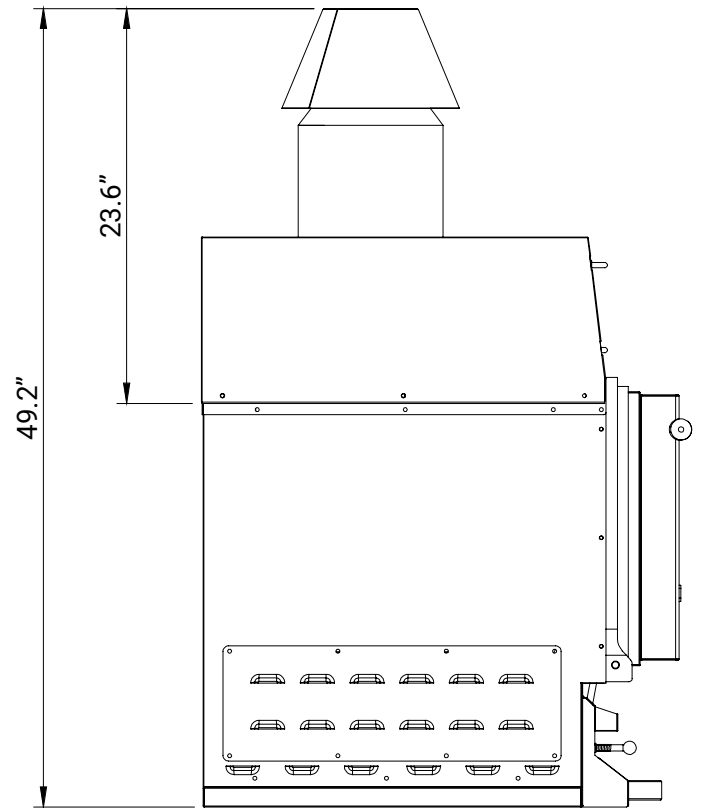
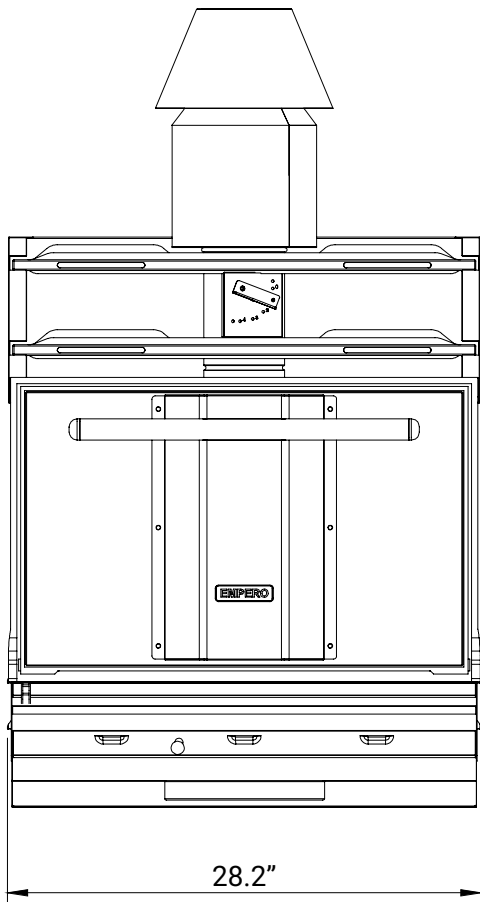
Capacity

Number of Oven Racks	5
Number of Grates	5
Fuel Capacity	11.02 lbs.

Features & Materials

Fuel Type	Charcoal
Number of Doors	3
Door Material	Oven: Cast Iron Cabinet: Stainless-Steel
Door Style	Oven: Vertical Downward Swing Cabinet: Swing
Rack Positions	Oven: 4 Top Rack: 2
Preheat Time	30 mins
Burner Grates Material	Cast Iron
Commercial Residential	Commercial
Installation Type	Freestanding
Ash Pan	Yes
Base Included	Yes
Dishwasher Safe Grates	No
Thermometer	No
Accessories Included	Tongs
Caster	4

Plan View



718-576-6342
info@koolmore.com

CERTIFICATIONS

