



SPEC SHEET

KoolMore 33 in. Commercial Insulated Half-Size Heated Holding Proofing Cabinet with 11-Pan Capacity and Glass Door in Silver

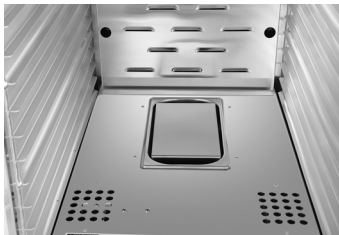
Model: KM-CHP12-SIGL

FEATURES

- Commercial Holding Cabinet
- Designed for Holding and proofing
- Aluminum Exterior
- Voltage: 120V
- Watts: 1500W



CLOSE UP IMAGES



TECHNICAL SPECS

Dimensions

Length	33.4
Width	23.1
Height	31.6
Interior depth	27.2
Interior width	18.18
Interior height	17.89
Power cord length	102.36
Weightlbs	99.4

Capacity

Gross cubic feet	7.29
Net cubic feet	5.45

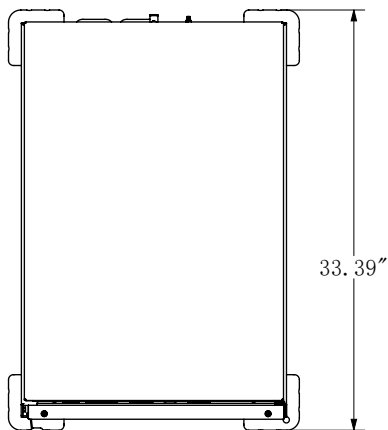
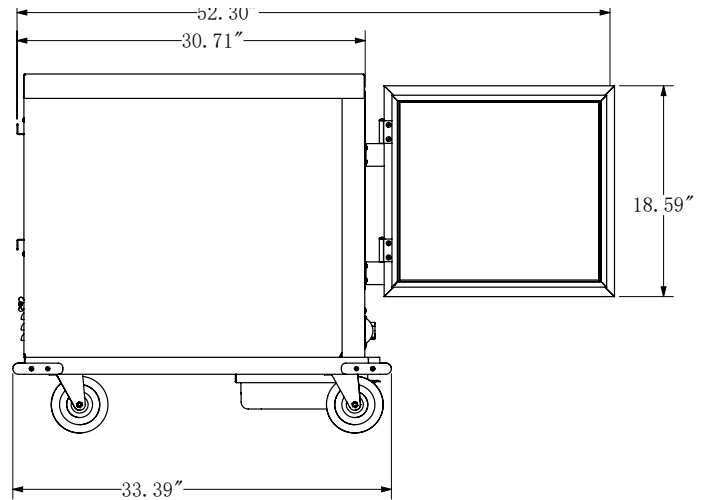
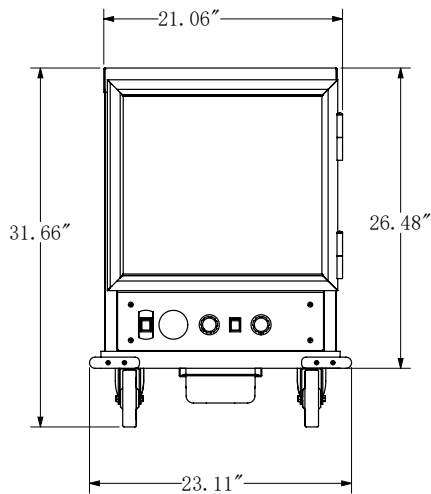
Features & materials

Control type	Mechanical
Temperature range	75-185 F
Number of doors	1
Hinge location	Top and Bottom
Rack positions	11
Pan capacity	11
Exhaust vent location	Bottom of the Rear of the Unit
Interior cabinet insulation	Cotton
Exterior material	Aluminum
Interior material	Aluminum
Glass type	Polycarbonate
Color finish	Silver
Interior lights	No
Casters	4
Feature one	"4 Polyurethane Swivel Casters, 2 with Brakes"
Feature two	Half size insulated design holds up to 12 full size sheet pans; 1 1/2" of clearance between slides, heater & proofer, clear door

Electric & certification

Electrical installation type	Plug-in
Amps	14
Hertz	60
Phase	1
Voltage	120
Wattage	1500W
Plug type	Nema 5-15P
Certifications	UL Listed for Safety and NSF for Sanitation NA

Plan View



CERTIFICATIONS



706 Eastern Parkway STE 1G, Brooklyn NY 11213
718-576-6342
info@koolmore.com