



# SPEC SHEET

## KoolMore 33 in. Commercial Insulated Heated Holding/Proofing Cabinet with Wire Racks and Solid Door in Silver

Model: KM-CHP36-WISS

### FEATURES

- Commercial Holding Cabinet
- Designed for Holding and proofing
- Aluminum Exterior
- Voltage: 120V
- Watts: 1500W
- UL and NSF Certifications



### CLOSE UP IMAGES



# TECHNICAL SPECS

## Dimensions

Length	33.4
Width	23.1
Height	67.5
Interior depth	27.2
Interior width	18.3
Interior height	53.88
Power cord length	102.36
Weightlbs	161.9

## Capacity

Gross cubic feet	20.2
Net cubic feet	18.15

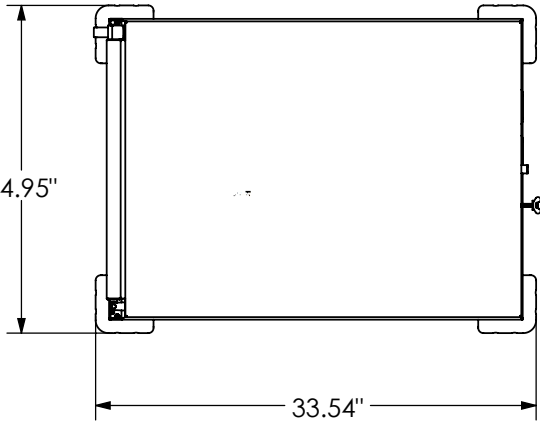
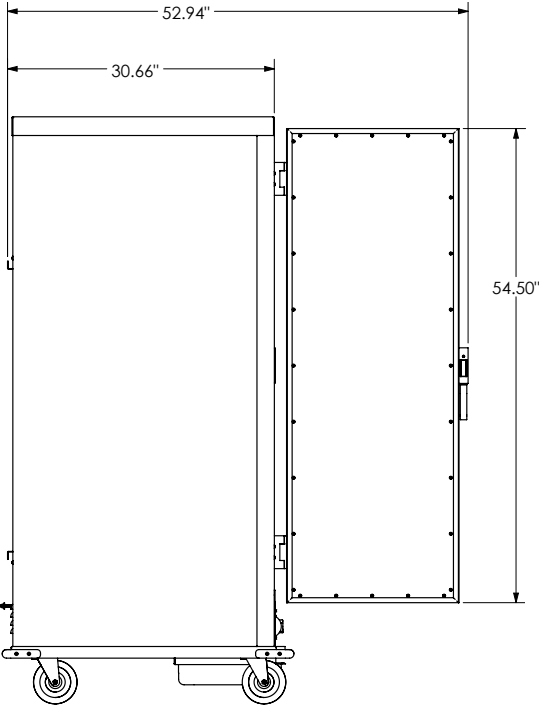
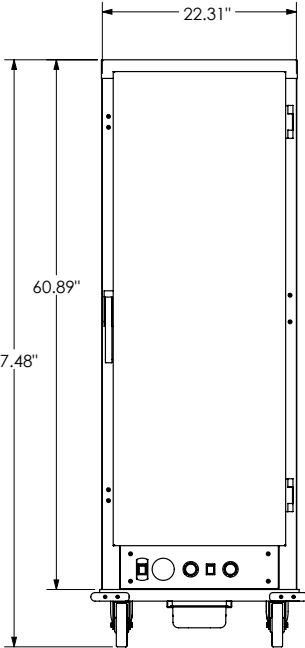
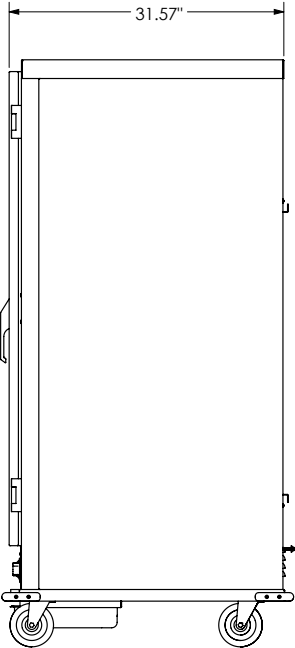
## Features & materials

Control type	Mechanical
Temperature range	75-185 F
Number of doors	1
Hinge location	Top and Bottom
Rack positions	16
Pan capacity	16
Exhaust vent location	Bottom of the Rear of the Unit
Interior cabinet insulation	Cotton
Exterior material	Aluminum
Interior material	Aluminum
Glass type	NA
Color finish	Silver
Interior lights	No
Casters	4
Feature one	"4 Polyurethane Swivel Casters, 2 with Brakes"
Feature two	Full size insulated design holds up to 36 full size sheet pans; 1 1/2" of clearance between slides, heater & proofer with wire racks, solid door

## Electric & certification

Electrical installation type	Plug-in
Amps	14
Hertz	60
Phase	1
Voltage	120
Wattage	1500W
Plug type	Nema 5-15P
Certifications	UL Listed for Safety and NSF for Sanitation

# Plan View



**CERTIFICATIONS**

UL NSF



706 Eastern Parkway STE 1G, Brooklyn NY 11213  
718-576-6342  
info@koolmore.com