

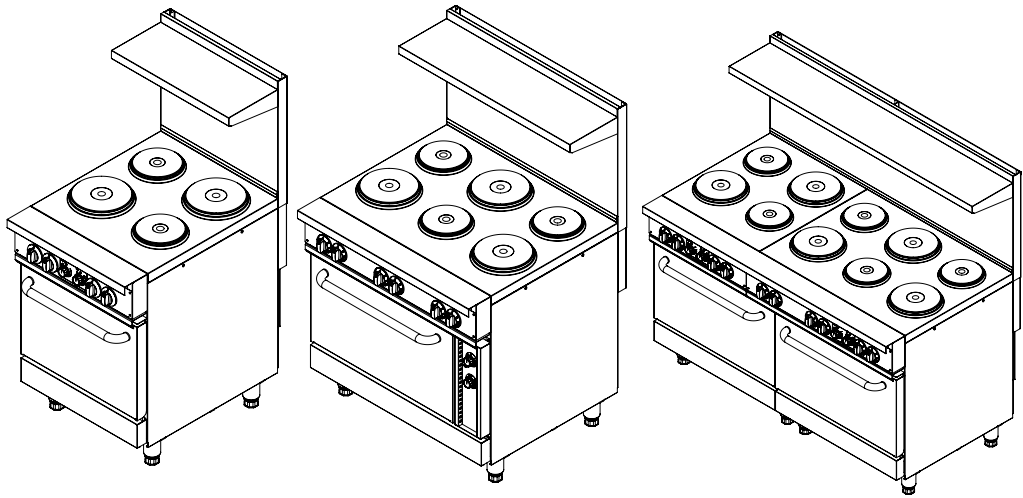


# USER MANUAL

ELECTRIC RANGE

## KoolMore Commercial Electric Range with Oven

Models: KM-CR24-E | KM-CR36-E | KM-CR60-E



***Before using, please read the operating instructions carefully to ensure proper application and achieve satisfactory results.***

For any service-related issues, please contact us:



718-576-6342



support@koolmore.com

***Stay informed with the latest information  
for your KoolMore Appliance.***

**If you need any assistance or have questions, our customer  
support team is here to help.**

# Contents

Safety .....	4
Installation .....	5
Operation .....	5
Maintenance .....	6
Warranty .....	7

# SAFETY

*Read the instruction manual carefully before using the appliance. The user's manual should be kept near the appliance, easily accessible for anyone to operate the unit. We reserve the right to make technical changes for purposes of developing and improving the useful properties.*

## **General Information**

This device is designed in accordance with the presently applicable technological standards. However, the device can pose a danger if handled or operated improperly and inappropriately. Knowing the contents of the user's manual as well as avoiding mistakes and thus operating this device safely and in a fault-free manner is very essential to protect yourselves from the hazards. To prevent hazards and to ensure optimum efficiency, no modifications or alterations to the device that are not explicitly approved by the manufacturer can be undertaken. This device may only be operated in safe condition following the user's manual.

## **WARNING! Electrical Hazard**

The appliance must be hardwired.  
Ensure the outside body is properly grounded.  
Never yank or pull the power cord violently to disconnect it from the outlet.  
Do not touch the power cord with any hot parts.

## **WARNING! Risk of Burns**

Some parts of the appliance may become very hot during use.  
Avoid burns by not touching hot parts without gloves.

## **General Safety Tips**

- **Stop Using Immediately if Malfunctioning:** If the appliance malfunctions, unplug it immediately.
- **Use Only Manufacturer-Recommended Parts:** Do not use any accessories or spare parts that are not recommended by the manufacturer. This can prevent damage and ensure safety.
- **Keep Power Cord Safe:** Do not lay the power cord over carpets or heat insulations, and do not cover it with any objects. Keep it dry and away from water.
- **Avoid Wet Hands:** Never touch the power cord, plug, or switch with wet hands.
- **Never Leave Unattended:** Do not leave the unit unattended during operation.
- **Wait for Cooling:** Do not move or reposition the unit until the hot water has cooled down completely.
- **Watch Out for Hot Water Splashes:** Hot water splashes can cause burns. Be careful with your hands and face.
- **Check Voltage:** Ensure the local power supply voltage matches the appliance's requirements.
- **Hot Plate Warning:** The hot plate may be very hot during operation. Keep your hands away from it.

# Installation

**Qualified Technician Required:** Only a qualified technician should install the unit.

**Stable Surface:** Place the device on a solid, even, safe, and stable surface that can support its weight. Level it back and forth, then side to side.

**No Flammable Surfaces:** Never place the appliance on a flammable surface (such as a tablecloth or carpet).

**Avoid Heat Sources:** Do not locate the appliance near open fireplaces, electric ovens, electric heaters, or other heat sources.

**Accessible Plug:** Position the device so that the plug is always accessible.

**Keep Dry:** Make sure no liquids enter the electrical system or switch. Dry the device thoroughly if it gets wet.

## Operating

- **Trained Personnel Only:** Only personnel trained in the operation of the device should use it.
- **Hotplate Control:** The hotplate is controlled by an infinite switch.
- **Oven Types:** The oven has both static standard type and convection modes. The static bottom oven has upper and lower heating elements that can be controlled separately.
- **Temperature Setting:** Set the temperature at your desired position. Clean the bottom oven thoroughly before use.
- **End of Day:** When finished for the day, turn the thermostat knob counterclockwise to its original starting position and shut off the power supply.
- **Unusual Occurrences:** If anything unusual happens, call a qualified technician for repair.

# Maintenance

## Transportation

- **Handle with Care:** Transport the appliance carefully to prevent intense shaking.
- **Storage Conditions:** Store the packaged appliance in a well-ventilated area free of caustic air.
- **Keep Indoors:** Do not place the appliance outside and never place it upside down.
- **Dry and Dust-Free:** Ensure the appliance stays dry and dust-free.
- **Avoid Sunlight:** Keep the appliance out of direct sunlight.
- **Prevent Mechanical Shocks:** Avoid mechanical shocks and vibrations.
- **Temporary Storage:** Use weather-proof methods for temporary storage.

## Safety Advice

- **Disconnect Power:** Before starting repair or cleaning, disconnect the unit from the power socket and let it cool down completely.
- **Avoid Water and Detergents:** Do not use acid or abrasive detergents and ensure no water enters the unit.
- **Prevent Electric Shock:** Never immerse the unit, power cord, or plug in water or other liquids.
- **No Pressure Jets:** Do not use pressure water jets for cleaning.

## Cleaning

- **Regular Cleaning:** Clean the device regularly.
- **Unplug and Cool Down:** Pull the power plug before cleaning and let the unit cool down completely.
- **Avoid Water on Control Panel:** Do not use water to clean the control panel and ensure no water enters the unit. Dry thoroughly before use.
- **Use Mild Detergent:** Wipe the control panel, surface, and power cord with a soft cloth dipped in a mild cleaning detergent solution. Avoid letting water enter the switching unit.
- **No Aggressive Cleaners:** Do not use aggressive cleaning agents or abrasive materials to prevent damage.
- **Thorough Drying:** Dry all parts thoroughly and reassemble any parts dismantled for cleaning.
- **No Water Jets:** Do not use water jets for cleaning. Store the device in a dry, ventilated place if idle for a long time. Keep away from acid steams and caustic gases.

## Safety Instructions for Maintenance

- **Inspect Power Cord:** Check the power cord for damage periodically. Do not operate the unit if the power cord is damaged or broken.
- **Qualified Electrician:** Only a qualified electrician should replace the power cord. Use the special type designated by the manufacturer.
- **Repair by Qualified Personnel:** Only qualified personnel should perform repairs. Use manufacturer-designated replacement parts. Never attempt repairs yourself to avoid danger.

## Waste Disposal

- Discarding Old Devices

**Follow Regulations:** Dispose of the device according to national regulations. Contact a specialized waste disposal company or your local disposal service.

**Prevent Misuse:** Make the device unfit for use before disposal by disconnecting it from the mains supply and removing the mains connection cable.

**Adhere to Rules:** Follow national and local rules and regulations for disposal.

### **Daily Checking**

- **Pre-Use Check:** Check the appliance before and after use. Ensure it does not lean and the power cord is not worn out or broken.
- **Monitor During Use:** Make sure there are no unpleasant smells or unusual noises during use.

### **Important Information**

- **Read and Understand Manual:** This manual must be read and understood by all persons using or installing this appliance. Contact your local dealer for any questions.
- **Do Not Discard:** Do not discard this manual. It should be given to the owner or manager of the hotel or restaurant or the person responsible for training operators. Retain for future reference. Additional manuals are available from your local dealer.



# WARRANTY

## LIMITED WARRANTY

Koolmore Supply, Inc. extends a limited warranty to the original purchaser, guaranteeing that this Koolmore product is free from manufacturing defects in material or workmanship for one year from the date of purchase.

Should you discover any such defect within the warranty period, Koolmore Supply, Inc., reserves the right to repair or replace the product without charge, or to cover the cost of replacement parts and repair labor needed to correct defects present at the time of purchase or resulting from regular usage, when the appliance has been installed, operated, and maintained as per the instructions provided.

At its sole discretion, Koolmore Supply Inc. may decide to replace the product. In such an event, your replacement appliance will carry the warranty for the remaining term of the original unit's warranty period.

This warranty is valid exclusively to the original purchaser of the product and only applicable within the United States. The warranty commences from the date of original consumer purchase. Proof of the original purchase date will be required to obtain service under this warranty.

Under this limited warranty, your sole and exclusive remedy will be product repair, as outlined above. All services must be provided by a Koolmore-designated service company.

To claim warranty or request repair service:

Email [support@koolmore.com](mailto:support@koolmore.com). Please include your name, address, phone number, warranty repair request, and a copy of your proof of purchase receipt. Alternatively, visit [koolmore.com](http://koolmore.com) and use the contact us page. A Koolmore customer service representative will promptly arrange service for your appliance.

We thank you for choosing Koolmore.

## WARRANTY EXCLUSIONS

---

This limited warranty will not cover:

1. Failure of the product to perform during power failures or interruptions, or due to inadequate electrical service.
2. Damage incurred during transportation or handling.
3. Damage caused by accidents, vermin, lightning, winds, fire, floods, or acts of God.
4. Damage resulting from accidents, alterations, misuse, abuse, improper installation, repair, or maintenance. This includes using any external device that alters or converts the voltage or frequency of electricity.
5. Unauthorized product modifications, repairs by unauthorized centers, or use of non-approved replacement parts.
6. Abnormal cleaning and maintenance not aligned with the user's manual.
7. Use of incompatible accessories or components.
8. Any costs associated with repairs or replacements under these excluded circumstances shall be the responsibility of the consumer.





