



SPEC SHEET

KoolMore 36 in. 6 Burner Commercial Natural Gas Range in Stainless-Steel

SKU: **KM-CR36-NG**

FEATURES

- Commercial Natural Gas Range
- Large 36 in. Range
- High-Performance 6 Open-Top Burners
- Easy-to-Clean Unit
- Stainless-Steel Craftsmanship



CLOSE UP IMAGES



TECHNICAL SPECS

Dimensions

Length	36
Width	32.5
Height	60
Interior Depth	25.8
Interior Width	26.8
Interior Height	13.7
Backsplash Size	19.13
Shelf Depth	10.13
Shelf Width	36
Depth With Door Open 90 Degrees	45.3

Capacity

Weight Lbs	368
Gross Cubic Feet	5.61

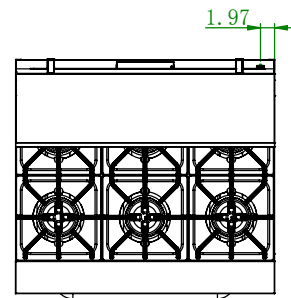
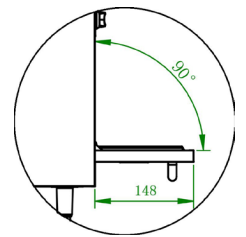
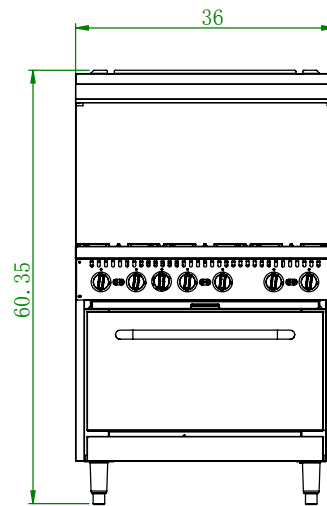
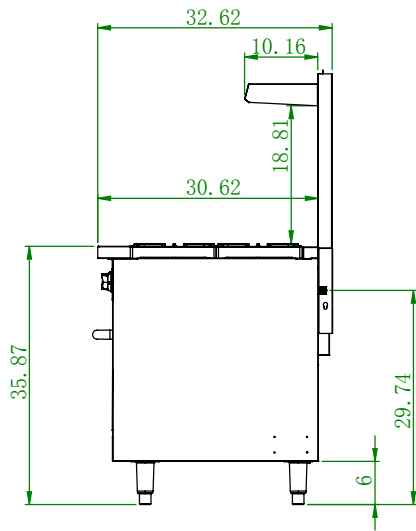
Features & Materials

Convection	No
Temperature Range	250-550 F
Number Of Oven Racks	2
Rack Positions	4
Glide Rollout Racks	No
Number Of Burners	6
Burner Grate Material	Cast Iron
Types Of Burners	Double Row Hole
Exterior Material	Aluminized Steel
Interior Material	Stainless-Steel
Gauge Of Stainless Steel	18
Interior Liner Material	Stainless-steel
Legs Adjustable	Yes
Feet Material	
Drip Pans	1
Cooktop Features	
Color Finish	Stainless-Steel
Color Of Cooktop	Stainless-Steel and Black
Cooktop Surface Type	Gas
Control Location	Front-Mounted
Control Type	Manual
Cleaning Type	Manual
Broiler Location	No Broiler
Dishwasher Safe Grates	Yes
Hot Surface Indicator Lights	No
Light Type	
Keep Warm Setting	No
Delay Bake	No
Burner No1 BTU	30000
Burner No2 BTU	30000
Burner No3 BTU	30000
Burner No4 BTU	30000
Burner No5 BTU	30000
Burner No6 BTU	30000
Oven BTU	30000
Left Oven BTU	
Product Notes	

Gas Info & Certifications

Gas Inlet Size	0.75
Fuel Type	NG
Ignition Type	Pilot
Convertible	Yes
Certifications	ETL Listed for Safety and Sanitation

Plan View



CERTIFICATIONS



706 Eastern Parkway STE 1G, Brooklyn NY 11213
718-576-6342
info@koolmore.com