



SPEC SHEET

KoolMore 60 in. Commercial LP Range with 24 in. Griddle and Broiler in Stainless-Steel

SKU: KM-CRGB60-LP

FEATURES

- Commercial Liquid Propane Gas Range
- 24-Inch Griddle and Broiler
- High-Performance Open-Top Burners
- Easy-to-Clean Unit
- Stainless-Steel Craftsmanship



CLOSE UP IMAGES



TECHNICAL SPECS

Dimensions

Length	60
Width	32.5
Height	60
Interior Depth	25.8
Interior Width	26.8
Interior Height	13.7
Right Oven Interior Depth	26.8
Right Oven Interior Width	25.8
Right Oven Interior Height	13.7
Left Oven Interior Depth	26.8
Left Oven Interior Height	13.7
Left Oven Interior Width	25.8
Backsplash Size	19.13
Shelf Depth	10.13
Shelf Width	60
Depth With Door Open 90 Degrees	45.3

Capacity

Gross Cubic Feet	11.22
Right Oven Capacity	5.5
Left Oven Capacity	5.5
Weight Lbs	728

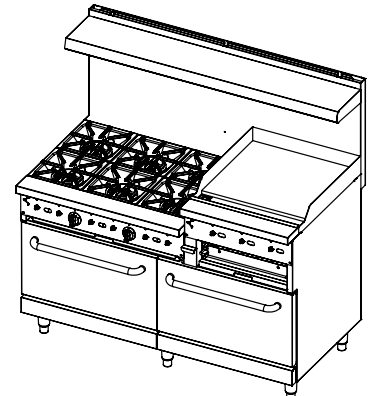
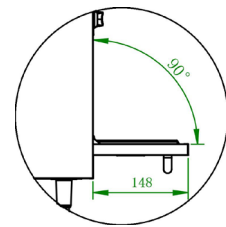
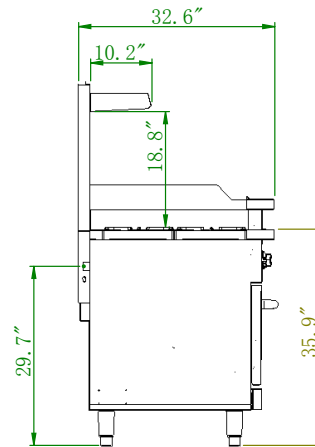
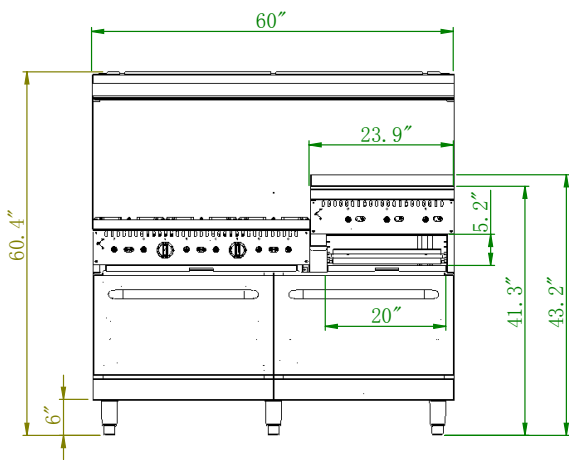
Features & Materials

Convection	No
Temperature Range	250-550 F
Number Of Oven Racks	4
Rack Positions	4 /per Oven
Glide Rollout Racks	No
Number Of Burners	6
Burner Grate Material	Cast Iron
Types Of Burners	Double Row Hole
Exterior Material	Aluminized Steel
Gauge Of Stainless Steel	18
Interior Material	Stainless-Steel
Interior Liner Material	Stainless-steel
Legs Adjustable	Yes
Feet Material	Stainless-Steel
Drip Pans	2
Color Finish	Stainless-Steel
Color Of Cooktop	Stainless-Steel and Black
Cooktop Surface Type	Gas
Control Location	Front-Mounted
Control Type	Manual
Cleaning Type	Manual
Broiler Location	Below the Griddle
Dishwasher Safe Grates	Yes
Hot Surface Indicator Lights	No
Keep Warm Setting	No
Right Oven Rack Positions	4
Left Oven Rack Positions	4
Delay Bake	No

Gas Info & Certifications

Burner No1 BTU	30000
Burner No2 BTU	30000
Burner No3 BTU	30000
Burner No4 BTU	30000
Burner No5 BTU	30000
Burner No6 BTU	30000
Left Oven BTU	30000
Right Oven BTU	30000
Gas Inlet Size	0.75
Fuel Type	LP
Ignition Type	Pilot
Convertible	Yes
Certifications	ETL Listed for Safety and Sanitation

Plan View



CERTIFICATIONS



706 Eastern Parkway STE 1G, Brooklyn NY 11213
718-576-6342
info@koolmore.com