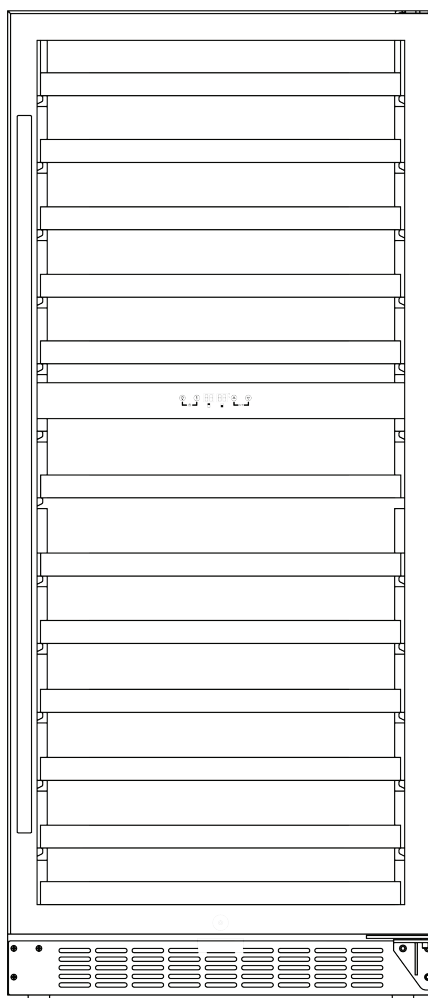


WINE COOLER

DUAL-ZONE WINE COOLER

Models:

KM-CW92DZ-SS, KM-CW155DZ-SS



Before using, please read the operating instructions carefully to ensure proper application and achieve satisfactory results.

For any service-related issues, please contact us:



718-576-6342



support@koolmore.com

TABLE OF CONTENTS

IMPORTANT SAFETY INSTRUCTIONS	2
NAMES OF THE PARTS	3
INSTALLATION INSTRUCTIONS	
BEFORE USING YOUR WINE COOLER.....	4
INSTALLING YOUR WINE COOLER.....	4
ELECTRICAL CONNECTION.....	4
USING YOUR WINE COOLER	
TEMPERATURE CONTROL.....	5
BEFORE SWITCHING ON.....	7
DURING FIRST USE.....	7
SWITCHING ON THE APPLIANCE AND SETTING THE TEMPERATURE.....	8
LOADING THE WINE COOLER.....	9
STORING YOUR WINES.....	9
REVERSING THE DOOR.....	11
CARE AND MAINTENANCE	
CLEANING YOUR APPLIANCE.....	12
VACATION TIME.....	12
MOVING YOUR APPLIANCE.....	13
ENERGY SAVING TIPS.....	13
TROUBLESHOOTING GUIDE	13
TECHNICAL SPECIFICATIONS	
ELECTRICAL CIRCUIT DIAGRAM.....	15

➤ **Please read these instructions carefully before the first use of this**

product and save this manual for your future reference.

THIS PRODUCT IS FOR HOUSEHOLD USE ONLY!

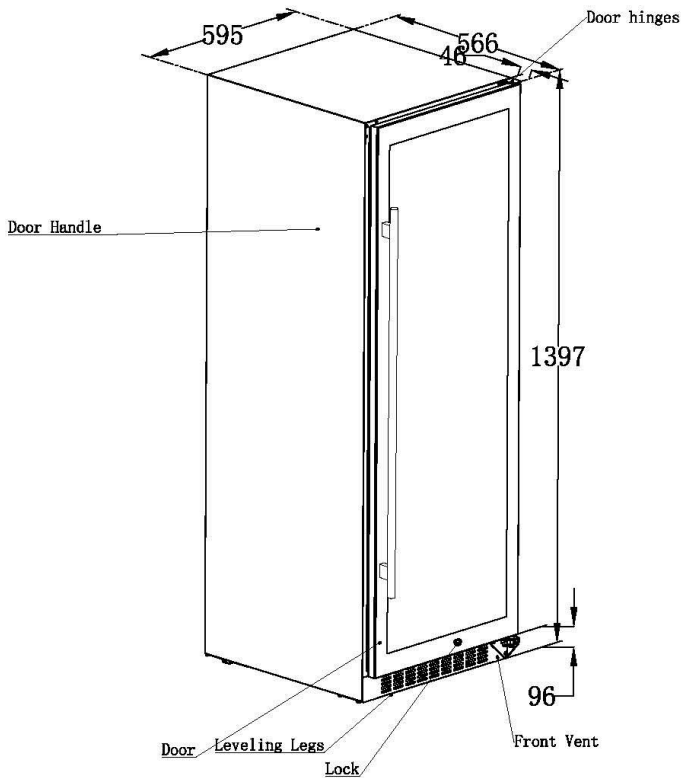
IMPORTANT SAFETY INSTRUCTIONS

⚠WARNING⚠ To reduce the risk of fire, electrical shock, or injury when using your appliance, follow these basic precautions:

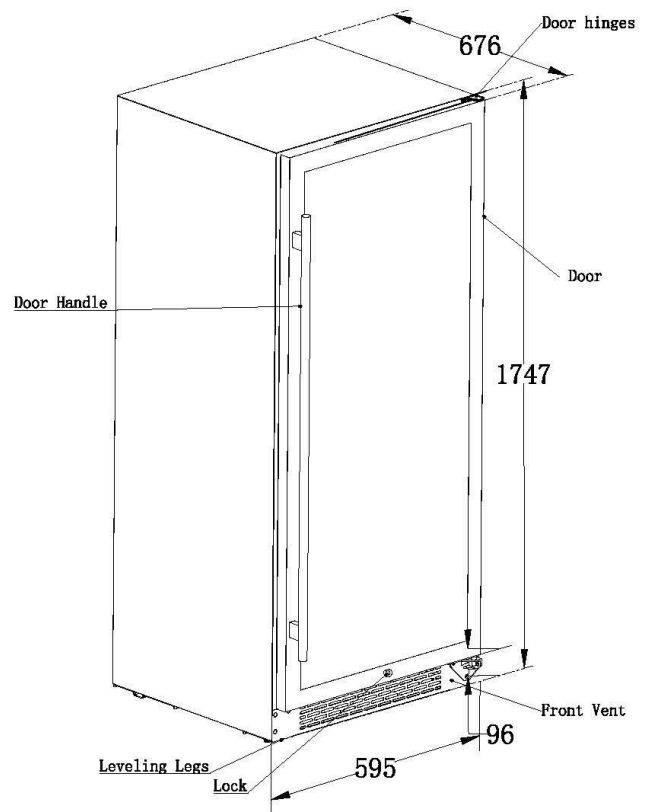
- Before using check that the voltage of wall outlet corresponds to the one shown on the rating plate.
- Use this appliance only as described in this manual. Other uses not recommended may cause fire, electric shock or personal injury.
- **This appliance is not intended for use by persons (including children) with reduced physical, sensory or mental capabilities, or lack of experience and knowledge, unless they have been given supervision or instruction concerning use of the appliance by a person responsible for their safety.**
- **Children should be supervised to ensure that they do not play with the appliance.** Never allow children to operate, play with, or crawl inside the appliance.
- Keep the mains cord out of the reach of children. Do not let the mains cord hang over the edge of the table or worktop on which the appliance stands.
- **DANGER or WARNING:** Risk of child entrapment. Child entrapment and suffocation are not problems of the past. Junked or abandoned appliances are still dangerous . . . even if they will "just sit in the garage a few days".
- **Before you throw away your old Wine Cooler:** Take off the door. Leave the shelves in place so that children may not easily climb inside.
- Never clean appliance parts with flammable fluids. The fumes can create a fire hazard or explosion.
- Do not store or use gasoline or any other flammable vapors and liquids in the vicinity of this or any other appliance. The fumes can create a fire hazard or explosion.
- If the supply cord is damaged, it must be replaced by the manufacturer, its service agent or similarly qualified persons to avoid a hazard. It is recommended to check regularly the supply cord for any sign of possible deterioration, and the appliance should not be used if the cable is damaged.
- Do not use the appliance if the plug, the mains cord or the appliance itself is damaged. If the mains cord is damaged, you must have it replaced by the manufacturer, or an authorized service centre or similarly qualified persons in order to avoid a hazard.
- Do not repair or replace any part of the refrigerator or attempt any servicing unless specifically recommended in the user-maintenance instructions or in published user-repair instructions. Replace the fuse with the same type.

- This appliance has been incorporated with a grounded plug. Please ensure the wall outlet in your house is well earthed.
- Unplug the appliance from the plug socket when not in use, when moving from one location to another and before cleaning. To disconnect the appliance, grip the plug and pull it from the wall outlet. Never pull by the cord.
- The appliance is not intended to be operated by means of an external timer or a separate remote – control system.

NAMES OF THE PARTS



KM-CW92DZ-SS



KM-CW155DZ-SS

INSTALLATION INSTRUCTIONS

Before Using Your Wine Cooler

Remove the exterior and interior packing.

Before connecting the wine cooler to the power source, let it stand upright for approximately 4 hours. This will reduce the possibility of a malfunction in the cooling system from improper handling during transportation.

Clean the interior surface with lukewarm water using a soft cloth. (Cleaning instruction on page 11)

Installing Your Wine Cooler

- This wine cooler is designed to be free-standing or built-in.
- Allow 5 inches of space between the back and sides of the wine cooler, which allows the proper air ventilation.
- Adjust the feet to keep the wine cooler level.
- Locate the wine cooler away from direct sunlight and sources of heat (stove, heater, radiator, etc.). Direct sunlight may affect the acrylic coating and heat sources may increase electrical consumption. Ambient temperature below 41°F or above 89°F will hinder the performance of this appliance.
- Depending on the location of the appliance, the direction of the door opens can be changed.
- **This unit is not designed for use in a garage or any other outside installation.**
- Avoid locating the wine cooler in moist areas.
- Plug the wine cooler into dedicated, properly installed-grounded wall outlet. Do not under any circumstances cut or remove the third (ground) prong from the power cord. Any questions concerning power and/or grounding should be directed toward a certified electrician or an authorized service center.
- **This unit is not designed to be installed in an RV or used with an inverter.**
- After plugging the wine cooler into a wall outlet, turn the unit on and allow the unit to cool down for 3 ~ 4 hours under before placing wine bottles or beverages in the appliance.

Electrical Connection

⚡WARNING⚡

Improper use of the grounded plug can result in the risk of electrical shock. If the power cord is damaged, have it replaced by an authorized service center.

This wine cooler should be properly grounded for your safety. The power cord of this wine cooler is equipped with a three-prong plug which mates with standard three prong wall outlets to minimize the possibility of electrical shock.

Do not, under any circumstances, cut or remove the third ground prong from the power cord supplied. This wine cooler requires a standard 110~120 Volt A.C. /60HZ electrical outlet with three-prong ground.

This wine cooler is not designed to be used with an inverter.

The cord should be secured behind the wine cooler and not left exposed or dangling to prevent accidental injury.

Never unplug the wine cooler by pulling the power cord. Always grip the plug firmly and pull straight out from the receptacle.

Do not use an extension cord with this appliance. If the power cord is too short, have a qualified electrician or service technician install an outlet near the appliance. Use of an extension cord can negatively affect the performance of the unit.

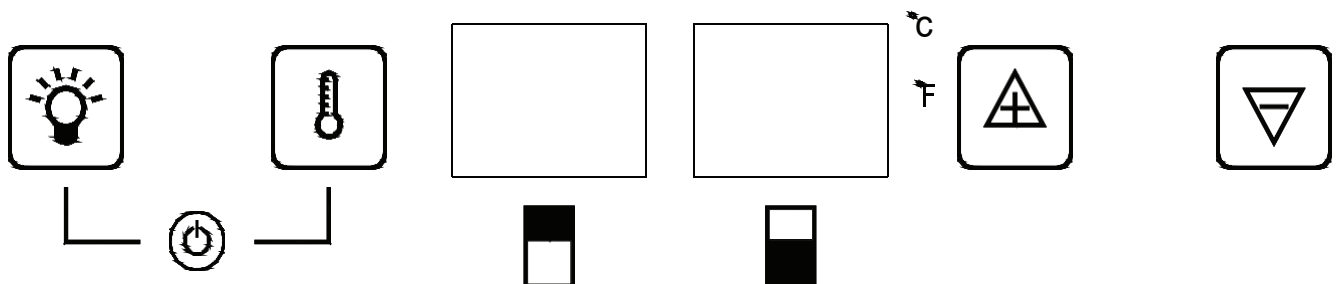
If any problems with the wine cooler persist, please contact the Customer Service Dept.

USING YOUR WINE COOLER

Temperature Control

Control Panel

The control panel is located in the middle of the appliance.



LIGHT BUTTON





To turn the inner light on/off.

REGLAGE DE TEMPERATURE BUTTON

To choose and set the internal temperature of each compartment.

POWER BUTTON

To control the appliance turn on or off. To turn OFF the appliance, touch the  +  buttons and hold 5 seconds.


UP BUTTON

Used to increase (warm) the set temperature by 1°F.

DOWN BUTTON

Used to lower (cool) the set temperature by 1°F.

SELECTOR DISPLAY

Choose to display temperatures in Celsius or Fahrenheit. To choose one of these displays press the button  for 5 seconds.

SELECT THE TEMPERATURE

Your wine cellar has two separate compartments. The temperature of the upper and lower compartments can be chosen between 40 ° and 72 ° F(+5 and +22°C). It is recommended to set the temperature in the lower of 55 - 72 ° F (12 ° C to 22 ° C) range which is ideal for storing red wines and to adjust the high zone between 40-55 ° F (5 and 12 ° C) range suitable for champagnes and white wines.

IMPORTANT:

THE TEMPERATURE SELECTED FOR THE LOWER COMPARTMENT MUST ALWAYS BE HIGHER THAN THE TOP COMPARTMENT. FOR OPTIMUM PERFORMANCE, THE DIFFERENCE BETWEEN THE TWO ZONES SHOULD BE MINIMUM OF 15°F

Description of the product features

1) Control panel

- The control panel is located in the middle of the appliance, it is very easy to set the temperature of the appliance and see what temperature the appliance is set to.

2) Interior light

- The wine cooler has an interior light. The light can be switched on and off by using the light control button. The door opening light is on and the door closing light is off.

3) The wine cooler shelves

- The shelves are fully adjustable to suit various wine bottle shapes and sizes.
- To prevent damaging the door gasket, make sure the door is fully open when pulling shelves out of the rail compartment.

For easy access to the bottles stored, pull the shelves out approximately 1/3. The shelves are designed with an emergency stop to prevent them being removed too far when loaded.

Before switching on

- Make sure that it has been installed by a suitably qualified person, as per the information contained in the installation instructions.
- After delivery, wait for eight hours before connecting the appliance to your mains supply. This will allow any refrigerant gasses that may have been disturbed during the transportation process to settle.
- The outside of the appliance and the removable accessories contained within it, should be cleaned with a solution of liquid detergent and water.
- The interior of the appliance should be cleaned with a solution of sodium bicarbonate dissolved in lukewarm water.
The interior and accessories should be thoroughly dried, after the cleaning process has been completed.
- There can be an odor when you first switch on the appliance. It will lessen as the appliance starts to cool.




During first use


IMPORTANT: When you use the wine cooler for the first time or restart the appliance after it has been turned off for a long time, there could be a few degrees variance between the temperature you select and the one indicated on the LED display. This is normal and it is due to the length of activation time. Once the wine cooler has been running for a few hours everything will be back to normal.

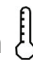

- When you first switch on the appliance, the compressor will run continuously until the wine cooler reaches a cool enough temperature.
- During this period of time, you should try not to open the door frequently or place bottles inside of the appliance.
- If the unit is switched off or unplugged, you must allow at least 5 minutes before restarting the appliance or reconnecting it to your mains supply.

Switching on the appliance and setting the temperature

To switch the appliance on, press the  +  buttons and hold 5 seconds. To turn the appliance off again, press and hold the power button for 5 seconds.

- Press the "SET" to  set the internal temperature of each zone. Temperatures in degrees will appear on every screen corresponding to distinct areas for the top compartment  and the lower compartment. 

When you press the "SET"  for the first time, the LED displays indicate the factory preset temperature, or to the compartment above 50 ° F and the lower compartment 60 ° F.


- Press the "SET" button  once. The left display will flash above the compartment. Press the buttons "UP" or "DOWN" to choose the temperature you want.
- If you press again the button "SET" , the right display will flash the bottom of the compartment. Press the "UP" or "DOWN" to choose the temperature you want.
- The temperature increase of 1 ° F if you click once on "UP" or decrease by 1 ° F if you press once on the button "DOWN"

To see the set temperature of each zone at any time, touch the buttons "UP" or "DOWN", set temperatures temporarily flash on the display for about 5 seconds. Use the "SET" to see the selected temperature zone or the other.

IMPORTANT: When the temperature is changed, the compressor works harder to reach the required temperature. During this time, the side panels of the wine cooler can reach up to 45°C however they will cool down when the set temperature is reached.

Changing between Fahrenheit and Celsius

- You can select whether the temperature displays show Celsius or Fahrenheit.

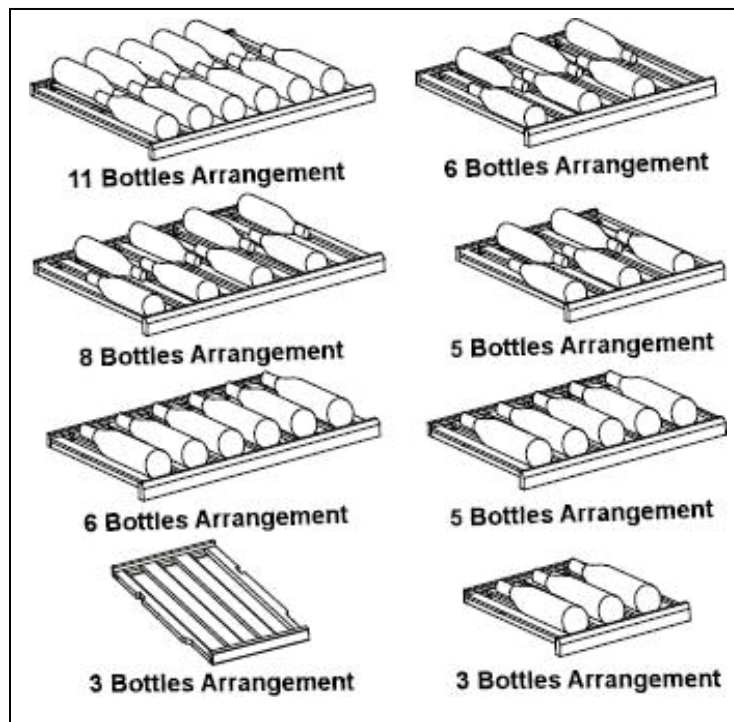
To alter what the temperature displays are showing, press the button  for 5 seconds.

Loading the wine cooler



IMPORTANT: Your appliance is ideally suited to store 0.75 liter Bordeaux style wine bottles. Whilst it can store larger bottles, you must make sure that they do not prevent the door from shutting properly.

- Always check that you can close the door without it fouling on a wine bottle, before shutting it.
- When loading several bottles of wine at once, it will take longer for the appliance to cool the individual bottles.
- As many bottles may differ in size and dimensions, the actual number of bottles you are able to store may vary.
- The maximum storage number is based on standard 0.75 liter Bordeaux style wine bottles.



Storing your wines

The chart below indicates the ideal storage temperatures for different types of wine:

<i>Type of wine</i>	<i>Temperature (Celsius)</i>	<i>Temperature (Fahrenheit)</i>
Red wine (*)	15.5 – 18°C	59.9 – 65°F
White wine (**)	10 - 15°C	50 – 59°F
Sparkling wines/champagne	7.2 – 9.5°C	45 – 49.1°F
Rose wine	9.5 – 10.5°C	49.1 – 50.9°F
Vintage wine	13°C	55°F

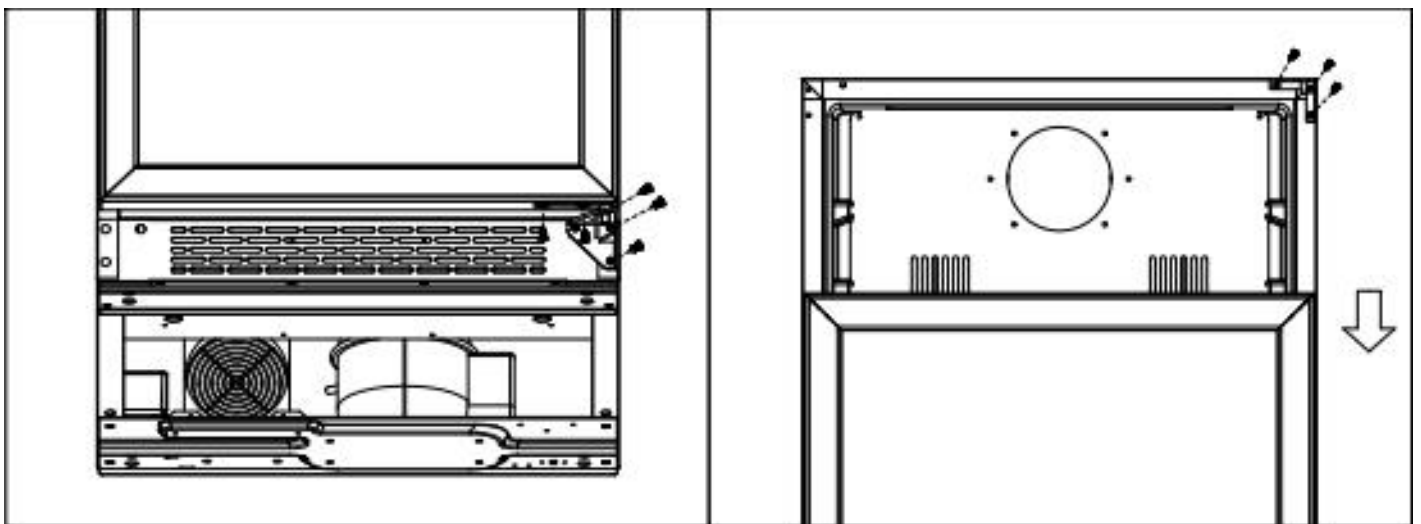
- Temperature stability is the most important factor when it comes to storing wine.
- Exposure to light, vibrations or fluctuations in temperature and humidity can all cause wine to spoil. When properly stored, wines not only maintain their quality but many will actually improve in aroma, flavor and complexity as they mature.
- Wines kept at a higher temperature will age faster. Wine that is exposed to temperatures that are greater than 18°C (65°F) will suffer from poorer flavor and aroma.
- If wine is kept at too low a temperature, this can result in the development of harmful deposits. A humidity of 60%~70% is ideal for keeping corks from shrinking.
- After a bottle of wine has been opened, the wine comes into contact with air. So it is best to store the remainder of the bottle upright, to minimize the surface area of the wine that is coming into contact with the air.
- Once opened, wine will remain in a drinkable condition for two days for delicate whites or three days for rich reds, as long as the bottle has been resealed. You should make sure that the seal is firm by checking the stopper.
- Special stoppers that keep wine sparkling and Champagne bubbling for one or two days after opening, can be bought at most good wine shops.
- When stored correctly, white wines can keep well for up to two years. Full bodied reds will age well for ten years and dessert wines will age well for up to twenty years.
- When you buy a bottle of wine, you should transfer it to a suitable storage location immediately (if you are not going to store it in your wine cooler).
- Cheaper bottles of wine will not age as well as more expensive ones.
- To make the most of the bouquet and taste of your wine, never fill more than half a glass at a time. It will also help if the shape of your wine glass is appropriate for your wine. The size and shape of your wine glass's bowl will determine the intensity and complexity of the bouquet. The stem should be long enough to allow you to avoid hand contact with the bowl of the glass and should be tulip-shaped or tapered at the top.

Reversing the door Swing

This unit has the capability of either opening the door from the left or right side. The unit is delivered to you with the door opening from the left side. Should you desire to reserve the opening direction, please follow these instructions:

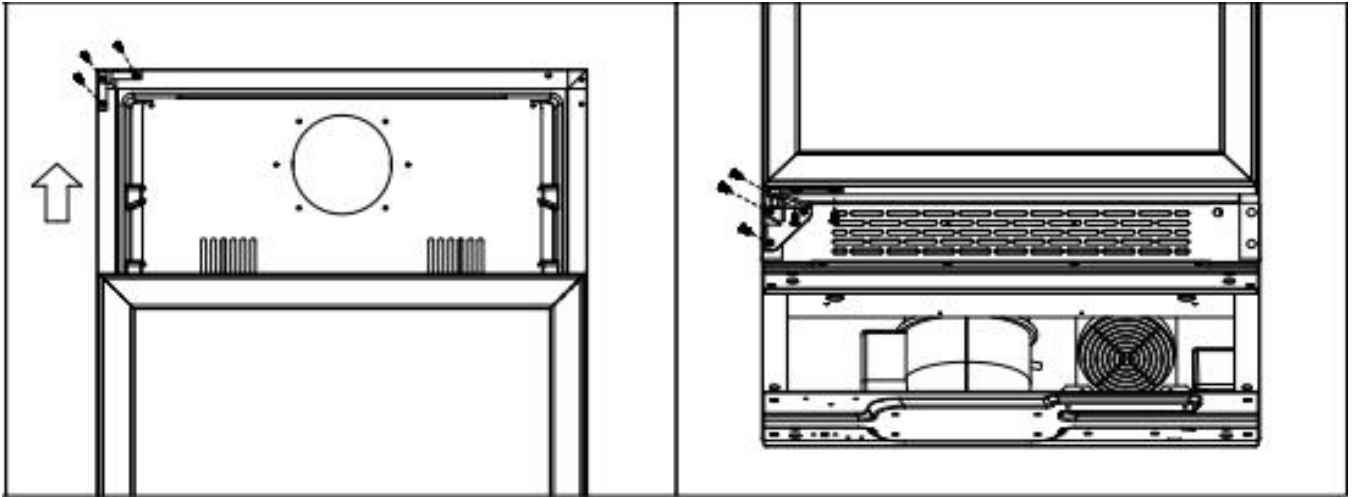
Note: Before reversing the door, the power must be shut off. All parts removed must be saved to the reinstallation of the door. This unit has been built with the door hinges on the right. If you wish to change the opening direction, follow the instructions below:

1. As shown in figure ①, remove the screws of the lower door hinge and the fixing plate of the door hinge shaft
2. As shown in figure ②, remove the door
3. As shown in figure ③, replace door hinge.
4. As shown in figure ④, install the upper door, and then install the door hinge shaft fixing plate and lower door hinge.



①

②



③

④

CARE AND MAINTENANCE

Cleaning Your Appliance

- ★ Upon installation of your new appliance, it is recommended that it be cleaned thoroughly.
- ★ Turn off the wine cooler first and then unplug the unit from the wall outlet.
- ★ Remove all contents.
- ★ Wash the inside with a damp warm cloth soaked in lukewarm water and baking soda solution.
The solution should be about 2 tablespoons of baking soda to a quart of water.
- ★ Be sure to keep the door gasket (seal) clean to keep the unit running efficiently.
- ★ The outside of the wine cooler should be cleaned with mild detergent and warm water.
- ★ Dry the interior and exterior with a soft cloth.
- ★ Dust or anything else blocking the vent may hinder the cooling efficiency of the appliance.
Vacuum the vent if necessary.

Vacation Time

- ★ Turn off the wine cooler first and then unplug the unit from the wall outlet.
- ★ Remove all the contents.
- ★ Clean the appliance.
- ★ Leave the lid open slightly to avoid possible formation of condensation, mold, or odors.
- ★ Short vacations: Leave the wine cooler operating during vacations of less than three weeks.
- ★ Long vacations: If the wine cooler will not be used for several months, remove all content and unplug the power cord. Clean and dry the interior thoroughly. To prevent odor and mold growth, leave the door open slightly: blocking it open if necessary.

Moving Your Appliance

- ★ Turn off the wine cooler first and then unplug the unit from the wall outlet.
- ★ Remove all the contents.
- ★ Securely tape down all loose items inside your appliance.
- ★ Tape the doors shut.

Energy Saving Tips

- ★ The wine cooler should be located in the coolest area of the room, away from heat producing appliances or heating ducts, and out of the direct sunlight.
- ★ Ensure that door is properly closed when the wine cooler is turned on.

TROUBLESHOOTING GUIDE

You can solve many common wine cooler problems easily, saving you the cost of a possible service call. Try the suggestions below to see if you can solve the problem before calling for service.

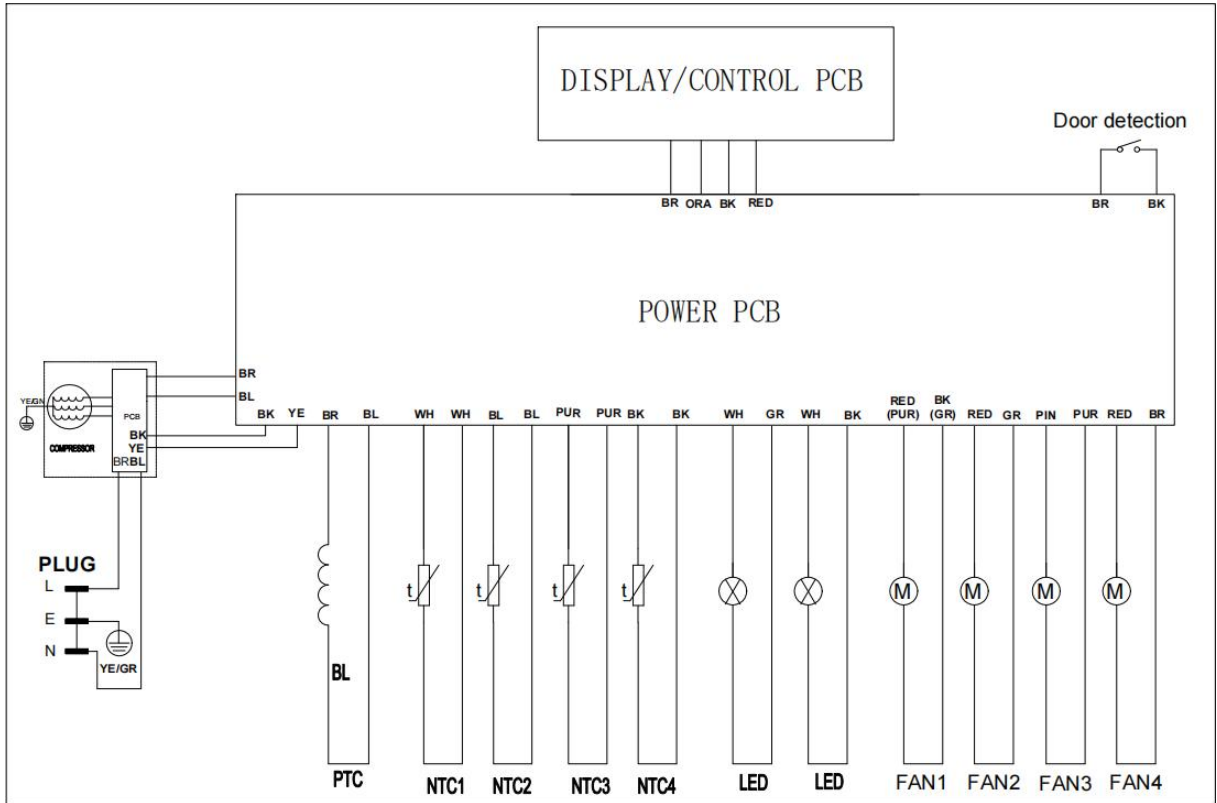
PROBLEM	POSSIBLE CAUSE
Wine cooler does not operate.	<ul style="list-style-type: none">• Not plugged in.• The circuit breaker tripped or a blown fuse.
Temperature inside the wine cooler is too warm.	<ul style="list-style-type: none">• Temperature control is set too warm. Turn the control to a cooler setting and allow several hours for the temperature to stabilize.• Door is kept open too long or is opened too frequently. Warm air enters the wine cooler every time the door is opened. Open the door less often.• The door is not closed completely.• The door gasket does not seal properly.• The wine cooler has recently been disconnected for a period of time.• 4 hours are required for the wine cooler to cool down completely.
Temperature inside the wine cooler is too cold.	<ul style="list-style-type: none">• Temperature control is set too cold. Turn the control to a warmer setting and allow several hours for the temperature to stabilize.
Vibrations.	<ul style="list-style-type: none">• Check to assure that the wine cooler is on a level surface.• The wine cooler is touching the wall. Re-level the wine cooler and move it from the wall.• If continued vibration occurs, turn off the wine cooler and unplug the power plug. Contact Customer Service Dept. for further assistance.

Moisture forms on inside wine cooler walls.	Door is slightly open. Door is kept open too long, or is opened too frequently. Open the door less often. The door is not sealed properly.
Moisture forms on outside of appliance.	Door is slightly open, causing cold air from inside the wine cooler to meet warm moist air from outside.
The door will not close properly.	The wine cooler is not on a level surface. The gasket is dirty.

TECHNICAL SPECIFICATIONS

Specification	KM-CW155DZ-SS	KM-CW92DZ-SS
Type	KM-CW155DZ-SS	KM-CW92DZ-SS
Volume (gallons)	113.07	72.65
Material Case/Door	stainless steel/Glass	stainless steel/Glass
Unit Dimension (WxDxH) (inches)	23.4/26.6/68.8	23.4/22.3/55.0
Packaging Dimension (WxDxH) (inches)	26.0/30.3/72.0	26.0/26.4/57.7
Net Weight (lbs)	205.6	156.1
Gross Weight (lbs)	243.85	180.75
Fitting ambient temperature range of working	N,SN	N,SN
Temperature Range (°F)	41.0°F — -7.6°F	41.0°F — -7.6°F
Rated Voltage (V)	115	115
Rated Frequency (Hz)	50	50
Rated current (A)	2	2

ELECTRICAL CIRCUIT DIAGRAM



Error code

EU: display board and power board communication failure.

ET: temperature difference alarm.

HI: high temperature alarm.

➤ **We decline liability for any damage or accident derived from any use of this product which is not in conformity with the instructions contained in this booklet.**

● **CORRECT DISPOSAL OF THIS PRODUCT**



This marking indicates that this product should not be disposed with other household wastes throughout the EU. To prevent possible harm to the environment or human health from uncontrolled waste disposal, recycle it responsibly to promote the sustainable reuse of material resources. To return your used device, please use the return and collection systems or contact the retailer where the product was purchased. They can take this product for environmental safe recycling.



WARRANTY

LIMITED WARRANTY

Koolmore Supply, Inc. extends a limited warranty to the original purchaser, guaranteeing that this Koolmore product is free from manufacturing defects in material or workmanship for one year from the date of purchase. Should you discover any such defect within the warranty period, Koolmore Supply, Inc., reserves the right to repair or replace the product without charge, or to cover the cost of replacement parts and repair labor needed to correct defects present at the time of purchase or resulting from regular usage, when the appliance has been installed, operated, and maintained as per the instructions provided. At its sole discretion, Koolmore Supply Inc. may decide to replace the product. In such an event, your replacement appliance will carry the warranty for the remaining term of the original unit's warranty period. This warranty is valid exclusively to the original purchaser of the product and only applicable within the United States. The warranty commences from the date of original consumer purchase. Proof of the original purchase date will be required to obtain service under this warranty. Under this limited warranty, your sole and exclusive remedy will be product repair, as outlined above. All services must be provided by a Koolmore-designated service company. To claim warranty or request repair service: Email support@koolmore.com. Please include your name, address, phone number, warranty repair request, and a copy of your proof of purchase receipt. Alternatively, visit koolmore.com and use the contact us page. A Koolmore customer service representative will promptly arrange service for your appliance. We thank you for choosing Koolmore.

WARRANTY EXCLUSIONS

This limited warranty will not cover:

1. Failure of the product to perform during power failures or interruptions, or due to inadequate electrical service.
2. Damage incurred during transportation or handling.
3. Damage caused by accidents, vermin, lightning, winds, fire, floods, or acts of God.
4. Damage resulting from accidents, alterations, misuse, abuse, improper installation, repair, or maintenance.

This includes using any external device that alters or converts the voltage or frequency of electricity.

5. Unauthorized product modifications, repairs by unauthorized centers, or use of non-approved replacement parts.
6. Abnormal cleaning and maintenance not aligned with the user's manual.
7. Use of incompatible accessories or components.
8. Any costs associated with repairs or replacements under these excluded circumstances shall be the responsibility of the consumer.

