



# SPEC SHEET

## KoolMore Reserve 24 in. French Door Dual Zone Panel Ready Under-Counter Cooler with Wooden Shelves and 20 Bottle Capacity in the Right Zone and 2.1 Cu. Ft. on the Left in Black

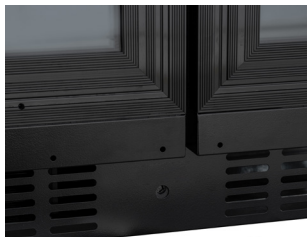
Model: KM-CWB24-WPR

### FEATURES

- KoolMore Reserve Collection: Luxury dual zone wine cooler with premium craftsmanship.
- Panel Ready Design: Customizable for seamless integration with kitchen cabinetry.
- Dual Zone Design: Stores 20 wine bottles (right zone) and 2.1 cu. ft. of beverages (left zone) at ideal temperatures.
- Premium Wooden Shelves: Durable black shelves enhance aesthetics and storage conditions.
- Digital Controls: Electronic interface for precise temperature management.
- Automatic Defrost: Hassle-free maintenance with continuous operation.
- Dual Cooling Systems: Fan cooling technology ensures consistent temperatures in both zones.
- LED Interior Lighting: Soft lighting for visibility and elegance.
- Soft-Closing Doors: Self-closing for energy efficiency and tight sealing.
- Temperature Range: Left zone (36-43°F), right zone (41-68°F) for versatile storage.
- ETL Certified & Warranty: Meets safety standards, includes 1-year parts and labor warranty.



### CLOSE UP IMAGES



# TECHNICAL SPECS

## Dimensions

Length	23.4
Width	22.6
Height	34
Interior Width	16.8
Interior Depth	29.5
Interior Height	25.4
Depth Excluding Handles	22.6
Depth With Door Open 90 Degrees	34.3
Depth Less Door	21
Height To Top Of Door Hinge In	34
Height Between Shelves In	3.6
Minimum Side Air Clearance In	0.25 in.
Minimum Back Air Clearance In	0.25 in.
Panel Dimensions	Exterior:11.53x30.08 Interior: 7.03x23.62 x2
Weightlbs	117
Installation Type	Built-in Under-counter or Free-standing

## Capacity

Gross Cubic Feet	4.49
Net Cubic Feet	4.15
Bottle Capacity	20
Can Capacity	51

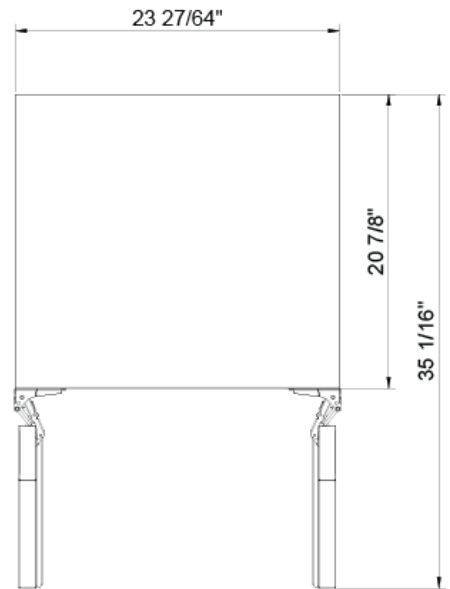
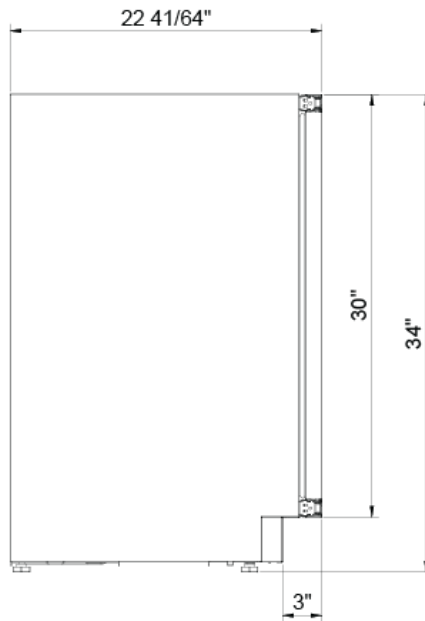
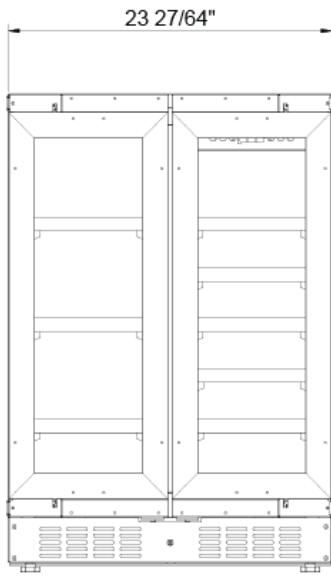
## Features & Materials

Control Type	Digital
Control Location	Interior Top
Defrost Type	Automatic
Cooling Unit Type	Automatic
Compressor Location	Rear Bottom
Horsepower	0.15
Refrigerant Type	R-600a
Temperature Range	Left: 36-43 F Right: 41-68 F
Ambient Temperature Range	60-90 F
Number Of Temperature Zones	2
Number Of Doors	2
Reversible Door S	Yes
Self Closing Door	Yes
Interior Liner Material	HIPS Polymer
Number Of Shelves	8
Shelf Material Type	Left: GlassRight: Wooden
Shelf Color	Wood
Exterior Material	Pre-Coated Metal
Interior Material	HIPS Polymer
Interior Lights	LED
Interior Lights Location	Side light
Sabbath Mode	Yes
Noise	45 dB
Color Finish	Black
Interior Color	Black
Door Handle	Not Included
Door Ajar Alarm	Yes
High Temp Alarm	Yes
Ambient Temp Alarm	No
Feature One	French door Dual Zone
Feature Two	Overlay panel ready door with Articulated Hinge
Feature Three	SmartLight touchpad control with white LED digital display
Feature Four	Reversible door with adjustable legs and security lock

## Electric & Certification

Amps	1
Hertz	60
Phase	1
Voltage	115
Wattage	100
Electrical Installation Type	Plug-in
Certifications	ETL Listed for Sanitation

# Plan View



## CERTIFICATIONS



Intertek



718-576-6342  
info@koolmore.com