



SPEC SHEET

1.5 Cu. Ft. Slim Dry Bakery Display Case with Black Aluminum Accents

Model: KM-DC-17SBK

FEATURES

- **Slim, Space-Saving 1.5 Cu. Ft. Design:** With a low-profile footprint and compact 36" width, this display case is ideal for countertops where space is limited, but product visibility is essential.
- **Clear Tempered Glass for Maximum Product Visibility:** Durable tempered glass panels on all sides provide a full, unobstructed view of contents, helping attract customers and enhance product presentation.
- **Dual Sliding Rear Doors for Easy Access:** Smooth-gliding rear doors allow staff to quickly restock or serve items without disrupting the front display, making it efficient for busy environments.
- **Modern Black Aluminum Accents:** Sleek black trim adds a professional, upscale look that complements cafés, bakeries, and retail counters.
- **Durable Commercial-Grade Materials:** Built with a combination of glass and stainless steel for long-lasting performance in demanding commercial settings.
- **Open Interior Layout for Flexible Merchandising:** Spacious interior accommodates trays, plates, or packaged goods, giving you flexibility in how products are displayed.
- **Stable Countertop Placement:** Equipped with four sturdy ABS plastic feet to keep the unit stable and secure on flat surfaces.
- **NSF Certified with Warranty Protection:** NSF certified for sanitation standards and backed by a 1-year parts and labor warranty for reliable commercial use.



CLOSE UP IMAGES



Technical Specs

Dimensions & Weight

| | |
|-----------------|----------|
| Length | 8 in. |
| Width | 13 in. |
| Height | 36.2 in. |
| Weight | 31 lbs. |
| Interior Height | 6.9 in. |
| Interior Depth | 35.2 in. |
| Interior Width | 11.7 in. |

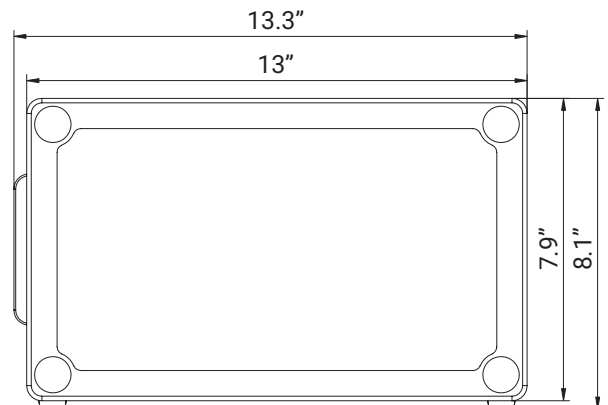
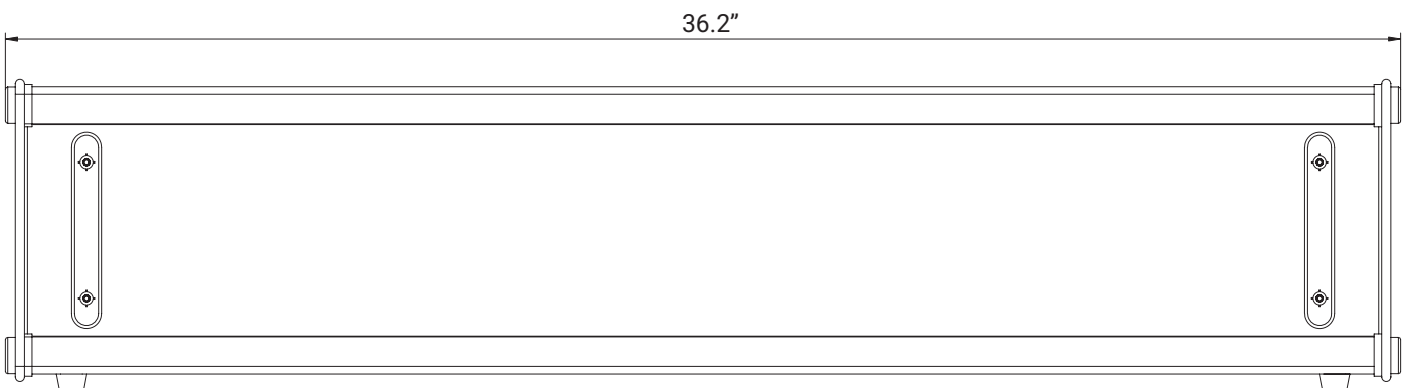
Certifications

| | |
|----------------|------------------------------|
| Certifications | NSF Certified for Sanitation |
|----------------|------------------------------|

Features & Materials

| | |
|-------------------|---------------------------|
| Gross Cubic Feet | 1.6 |
| Net Cubic Feet | 1.6 |
| Color Finish | Black and Glass |
| Exterior Material | Glass and Stainless Steel |
| Assembly Required | No |
| Door Style | Sliding |
| Legs Material | ABS Plastic |
| Number of Legs | 4 |
| Interior Lights | No |

Plan View



718-576-6342
info@koolmore.com

CERTIFICATIONS

