



# SPEC SHEET

## KoolMore 38 in. Full Size Double Commercial NG Convection Oven 108,000 BTU Total with Stacking Kit and Casters

Model: KM-DCC054-NGC

### FEATURES

- Commercial Convection Oven
- Natural Gas
- 4 Caster Wheels
- Double Deck
- Temp Range: 150°F to 500°F
- Total BTU: 108000 BTU
- Plug Type: 120V
- Dual Independent Glass Doors
- Hi/Low Fan Speed Button



### CLOSE UP IMAGES



# TECHNICAL SPECS

## Dimensions

Length	38
Width	41.5
Height	68
Interior Width	29
Interior Depth	21.6
Interior Height	20

## Capacity

Weightlbs	1234
Gross Cubic Feet	Combined 14.54

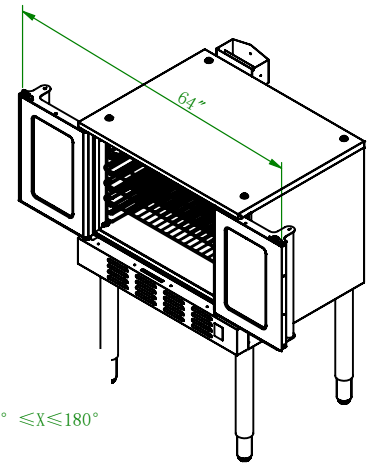
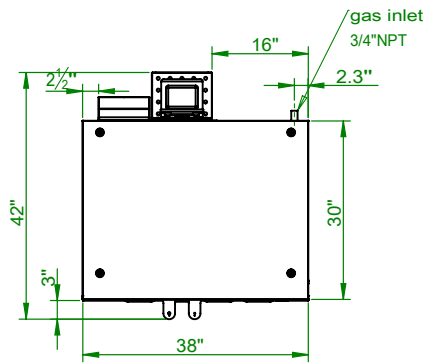
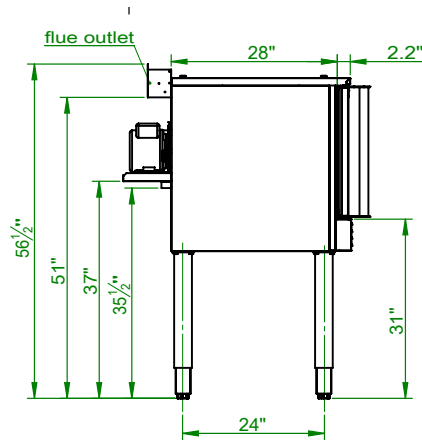
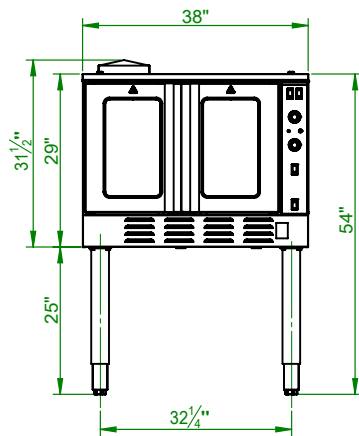
## Features & Materials

Installation Type	Freestanding
Convection	Yes
Temperature Range	150-500 F
Control Type	Mechanical
Number Of Warming Sections	2
Number Of Oven Racks	6
Rack Positions	10 /per Oven
Exterior Material	Stainless-Steel 430 and Aluminized Steel
Interior Material	Cold Rolled Steel
Color Finish	Stainless-Steel
Casters	4
Feature One	Toughened glazed glass allows easy observation of food while minimizing heat transfer for user safety.
Feature Two	Adjustable temperature settings ensure accurate and consistent cooking results.
Feature Three	Equipped with high and low motor speeds for handling different types of food.
Feature Four	The insulated cooking chamber ensures efficient heat retention and even cooking.
Feature Five	Flame failure safety feature automatically shuts off the gas to prevent accidents.
Feature Six	A 60-minute timer with an alarm notifies you when cooking is complete.
Feature Seven	Convection fan includes a cool-down setting to quickly lower the oven temperature after use.

## Gas, Electric & Certifications

Fuel Type	NG
Convertible	No
Gas Inlet Size	0.75
Oven Btu	108000
Amps	5.9
Hertz	60
Phase	1
Voltage	120
Wattage	412/ per Oven
Plug Type	NEMA 5-15P
Power Cord Length	66
Electrical Installation Type	Plug-in
Certifications	ETL Listed for Safety and Sanitation

# Plan View



开门角度:  $0^\circ \leq X \leq 180^\circ$

## CERTIFICATIONS



706 Eastern Parkway STE 1G, Brooklyn NY 11213  
718-576-6342  
info@koolmore.com