



SPEC SHEET

KoolMore 30 in. Professional Electric Range with 14900W of Power, 240V in Stainless-Steel

Model: KM-EPR-30AP-SS

FEATURES

- Precision Control
- Spacious Cooking Haven
- Halogen Brilliance
- Versatile Temperature Control
- Effortless Maintenance



CLOSE UP IMAGES



Technical Specs

Dimensions

Length	29.9
Width	29.7
Height	36.1
Interior Width	23.74
Interior Depth	19.53
Interior Height	17.99
Cutout Dimensions	24.75"D*30"W
Weightlbs	189.2
Depth With Door Open 90 Degrees	47.3
Depth Excluding Handles	26.25
Depth Including Handles	28.875
Depth Less Door	24
Installation Type	Freestanding

Capacity

Gross Cubic Feet	5.02
Net Cubic Feet	4.8

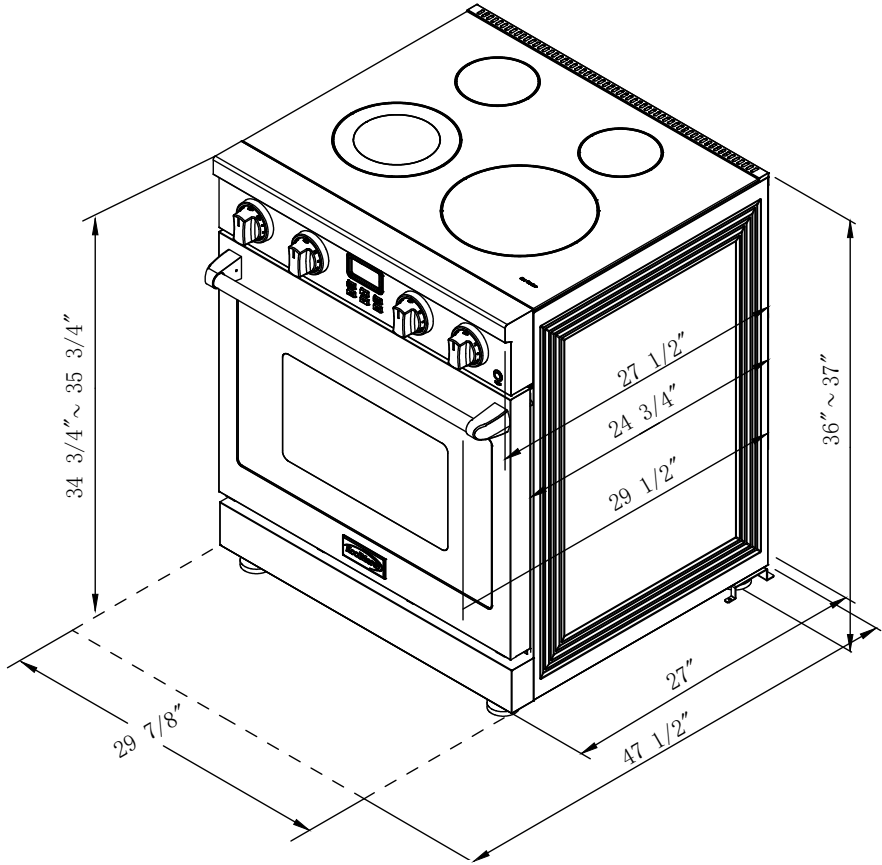
Features & Materials

Fuel Type	Electricity
Convertible	No
Cleaning Type	Manual
Temperature Range	175-550 F
Preheat Time	15-20 min.
Number Of Oven Racks	2
Rack Positions	6
Glide Rollout Racks	No
Number Of Elements	4
Heating Element Diameter	Rear-6.13 Front Left: Outer-9.5, Inner-5.5 Front Right-11.5
Heating Element Wattage	Front Left Burner (Dual): 3000 W (1500W and 1500W) Front Right Burner (Single): 3000 W Rear Left Burner (Single): 1200 W Rear Right Burner (Single): 1200 W Black Polished Plate Glass Ceramic
Cooktop Surface Type	Overheating indicator light
Cooktop Features	Top of Oven
Broiler Location	No
Delay Bake	LED display screen, oven function button operation
Control Type	Front control
Control Location	Yes
Hot Surface Indicator Lights	Yes
Keep Warm Setting	Stainless-Steel
Exterior Material	SPCC+Enamel
Interior Material	Stainless-Steel
Color Finish	Black
Interior Color	Black
Color Of Cooktop	Halogen
Interior Lights	Bake
Feature One	Broil
Feature Two	Conv bake
Feature Three	Conv Roast
Feature Four	Pizza
Feature Five	Keep Warm
Feature Six	
Feature Seven	

Electric & Certification

Amps	50
Hertz	60
Phase	3
Voltage	240
Wattage	3500w
Power Cord Included	No
Electrical Installation Type	Hardwired
Certifications	CSA Certified for Safety

Plan View



CERTIFICATIONS



718-576-6342
info@koolmore.com