



# SPEC SHEET

## KoolMore 12" x 48" Stainless Steel Floor Trough Drain, 14-Gauge with Subway-Style Grating & Removable Drain Basket, NSF Listed

---

Model: KM-FTG-1248

### FEATURES

---

- 14-gauge 304 stainless steel resists corrosion.
- 4-inch drain with 3-degree slope for fast drainage.
- Subway-style grate handles traffic and debris.
- Supports 794 lbs. and holds 6.87 gallons.
- Removable basket for easy maintenance.
- NSF certified with a 2-year warranty.



### CLOSE UP IMAGES

---



# TECHNICAL SPECS

## Dimensions

|                 |    |
|-----------------|----|
| Length          | 50 |
| Width           | 14 |
| Height          | 7  |
| Interior Depth  | 12 |
| Interior Width  | 48 |
| Interior Height | 4  |
| Weight Lbs      | 68 |

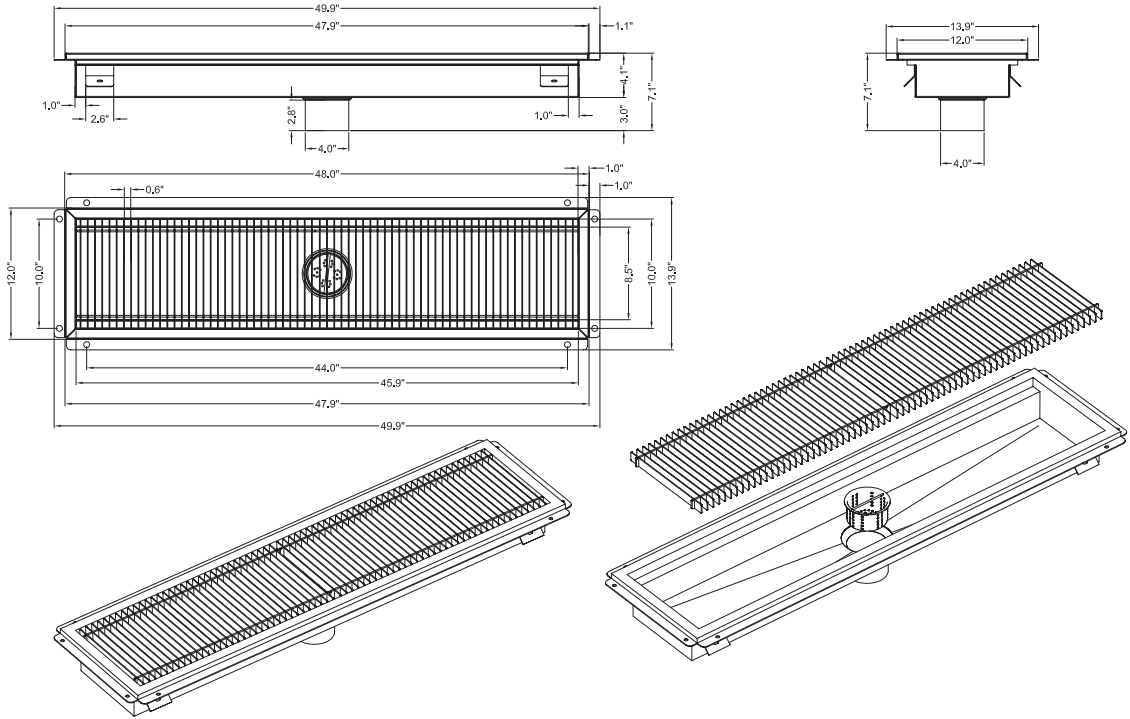
## Features & Materials

|                                    |                     |
|------------------------------------|---------------------|
| Top Capacity                       | 794 lbs.            |
| Water Capacity                     | 6.87 gal.           |
| Exterior Material                  | Stainless-Steel 304 |
| Gauge Of Stainless Steel           | 9 & 14              |
| Color Finish                       | Stainless-Steel     |
| Grate Thickness                    |                     |
| Diameter Of Drain Line Connection  | 4 in.               |
| Included                           | 1 Drain Basket      |
| Angle Of Downward Incline In Basin | 3 degrees           |

## Certification

|                |            |
|----------------|------------|
| Certifications | NSF Listed |
|----------------|------------|

# Plan View



706 Eastern Parkway STE 1G, Brooklyn NY 11213  
718-576-6342  
info@koolmore.com