



SPEC SHEET

KoolMore 24" x 36" Stainless Steel Floor Trough Drain, 14-Gauge with Subway-Style Grating & Removable Drain Basket, NSF Listed

Model: KM-FTG-2436

FEATURES

- 14-gauge 304 stainless steel resists corrosion.
- 4-inch drain with 3-degree slope for fast drainage.
- Subway-style grate handles traffic and debris.
- Supports 772 lbs. and holds 11.89 gallons.
- Removable basket for easy maintenance.
- NSF certified with a 2-year warranty.



CLOSE UP IMAGES



TECHNICAL SPECS

Dimensions

Length	38
Width	26
Height	7
Interior Depth	24
Interior Width	36
Interior Height	4
Weight Lbs	97

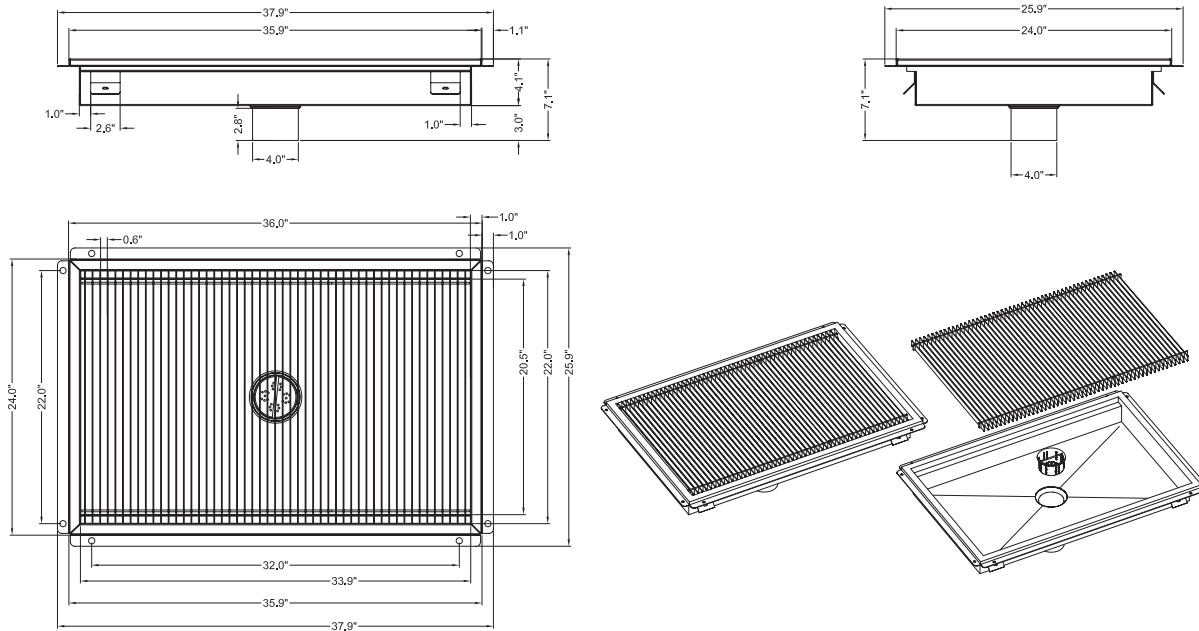
Features & Materials

Top Capacity	772 lbs.
Water Capacity	11.89 gal.
Exterior Material	Stainless-Steel 304
Gauge Of Stainless Steel	14
Color Finish	Stainless-Steel
Grate Thickness	9-gauge & 14-gauge
Diameter Of Drain Line Connection	4 in.
Included	1 Drain Basket
Angle Of Downward Incline In Basin	3 degrees

Certification

Certifications	NSF Listed
----------------	------------

Plan View



CERTIFICATIONS



706 Eastern Parkway STE 1G, Brooklyn NY 11213
718-576-6342
info@koolmore.com