



SPEC SHEET

KoolMore 24 in. Natural Gas 2-Burner Griddle with 60,000 BTU in Stainless-Steel

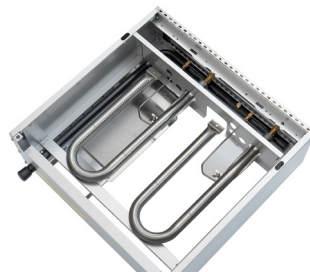
Model: KM-GG2-24M

FEATURES

- 24 in. Stainless-Steel Gas Griddle
- Two High-Performance Burners
- 60,000 BTUs of Cooking Power
- Compatible with Natural Gas
- $\frac{3}{4}$ " Gas NPT Connection for Convenience
- Durable Stainless-Steel Cooking Surface
- Easy-to-use Manual Temperature Control
- ETL Safety and Sanitation Certified
- Convertible to LP, Kit included.



CLOSE UP IMAGES



TECHNICAL SPECS

Dimensions

Length	23.78
Width	26.11
Height	15.92
Weightlbs	125.4

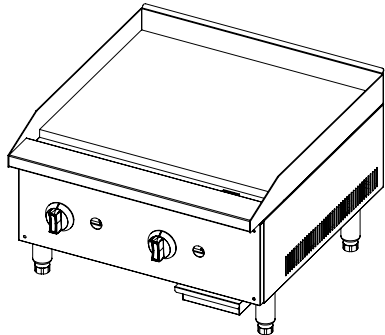
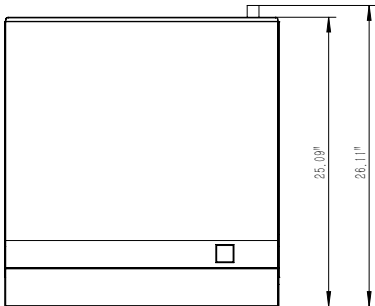
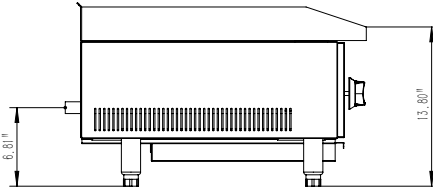
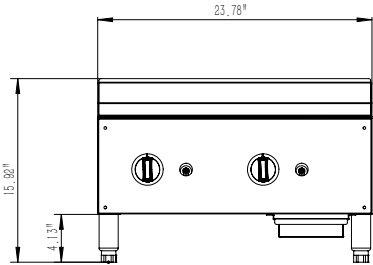
Features & Materials

Installation Type	Countertop
Cooktop Surface Type	Stainless and aluminized steel
Cooking Surface Width	23.6
Cooking Surface Depth	19
Cooking Area Sq	448
Control Type	Manual
Number Of Temperature Cooking Controls	2
Control Location	Front
Griddle Material	Steel
Plate Thickness	0.63
Number Of Burners	2
Btu Per Burner	30000
Types Of Burners	U-shaped burners
Backsplash Size	3 and 2.75 on the sides
Exterior Material	Stainless-Steel 431
Color Finish	Silver
Feature One	Stainless and aluminized steel with fully welded construction
Feature Two	Griddle plate welded seams eliminate grease build up
Feature Three	12" wide heating zone per control
Feature Four	Shipped with natural gas, unit comes with kit for conversion to propane
Feature Five	Heavy duty 4" adjustable legs
Feature Six	Front sliding drip pan tray for easy cleaning
Feature Seven	Cool touch bull-nose front plate protects user from hot surfaces

Gas Info & Certifications

Fuel Type	Natural Gas
Gas Inlet Size	0.75
Convertible	Convertible to LP, Kit included.
Certifications	ETL Listed for Safety and Sanitation

Plan View



CERTIFICATIONS



706 Eastern Parkway STE 1G, Brooklyn NY 11213
718-576-6342
info@koolmore.com