



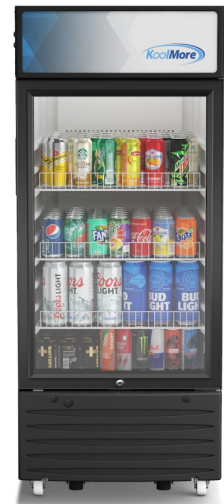
# SPEC SHEET

## 6 cu. ft. One Glass Door Commercial Display Merchandiser Refrigerator

Model: KM-MDR-1D-6C

### FEATURES

- **Glass Display:** Large clear glass door showcases products for easy customer viewing and faster purchasing decisions.
- **Spacious Storage:** 6 Cu. Ft. with four adjustable, corrosion-resistant shelves (66 lbs. capacity each) for versatile organization.
- **Tempered Glass:** Double-sided, Double-layer tempered glass reduces condensation to keep products visible at all times.
- **Flexible Installation Options:** Available with sturdy adjustable legs or 4 easy rolling casters to accommodate your specific needs.
- **Bright LED Lighting:** The bright LED enhances product visibility with energy-efficient illumination.
- **Low-Maintenance Operation:** Automatic defrost and self-evaporation water tray reduce upkeep.
- **Precise Temperature Control:** An interior mechanical thermostat maintains 32°F to 50°F for optimal storage of beverages, dairy, and perishables.
- **Secure Storage:** Built-in safety lock protects your merchandise when the merchandiser not in use.
- **Certified & Warranted:** ETL certified with a 1-year parts and labor warranty for reliable performance and support.



### CLOSE UP IMAGES



# Technical Specs

## Dimensions & Weight

Length	21.38 in.
Width	24.37 in.
Height	52.68 in.
Weight	97.4 lbs.
Interior Depth	15.94 in.
Interior Width	18.31 in.
Interior Height	37.68 in.
Shelf Depth	15.55 in.
Shelf Width	18.11 in.
Depth Excluding Handles	24.17 in.
Depth Including Handles	24.17 in.
Depth Less Door	21.06 in.
Depth With Door Open 90 Degrees	43.22 in.
Height To Top Of Door Hinge	52.72 in.
Minimum Back Air Clearance	2 in.
Minimum Side Air Clearance	2 in.

## Electric & Certifications

Voltage	115
Wattage	200
Hertz	60
Amps	2.5
Phase	1
Plug Type	NEMA 5-15P
Power Cord Length	94.5 in.
Energy Consumption	450 KWH/year
Electrical Installation Type	Plug-in
Certifications	ETL Listed for Safety and Sanitation

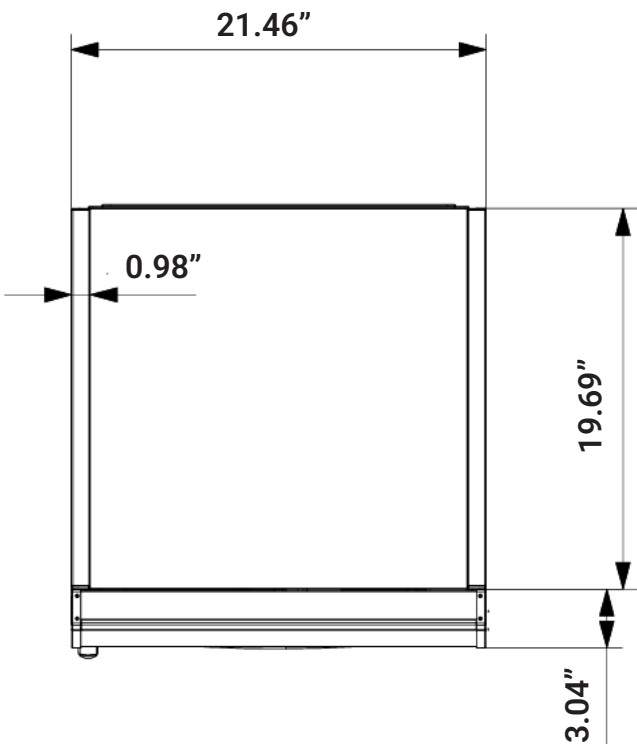
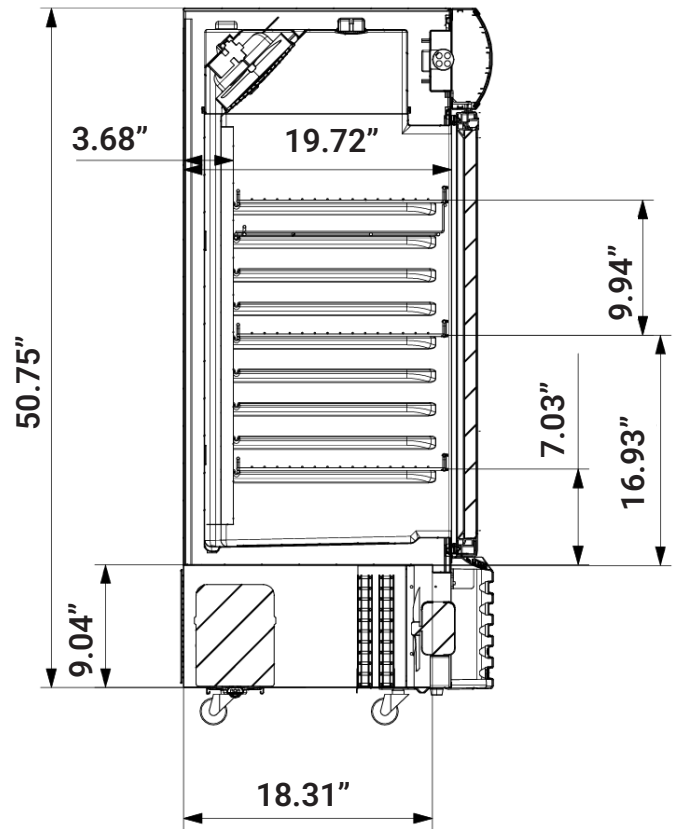
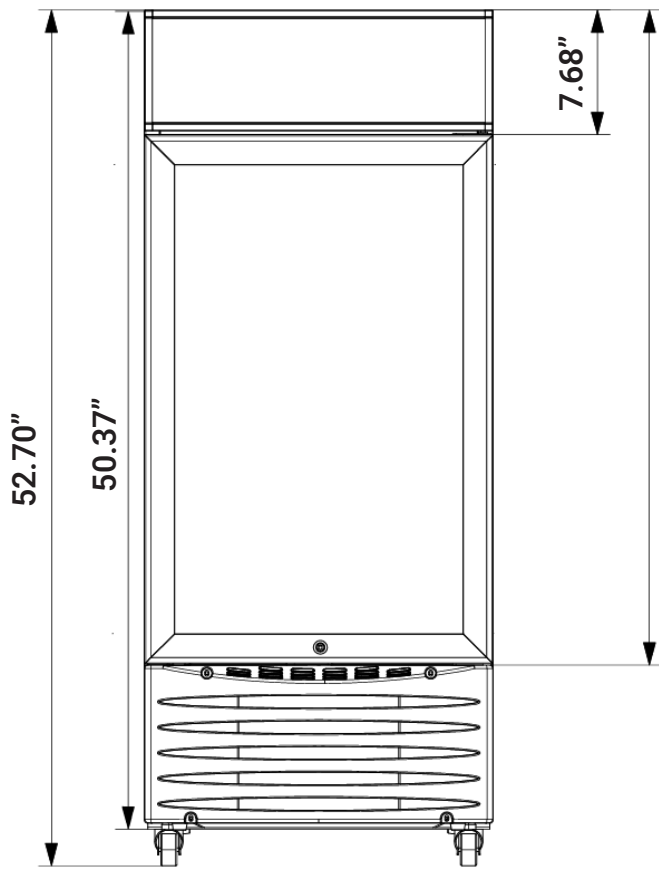
## Capacity

Gross Cubic Feet	6
Net Cubic Feet	5.75
Number of Shelves	3
Individual Shelf Capacity	66.6 lbs.

## Features & Materials

Temperature Range	32-50 F
Ambient Temperature Range	86 F
Cooling Unit Type	Automatic
Defrost Type	Automatic
Refrigerant Type	R-600A
Installation Type	Freestanding
Horsepower	0.166
Number Of Doors	1
Door Style	Swing
Light Type	LED
Interior Lights Location	Right Side
Temperature Control Type	Mechanical
Color	Black
Color Finish	Black
Interior Color	White
Door Handle Color	Black
Door Material	Glass
Handle Type	Integrated
Hinge Location	Right Side
Refrigerator Can Capacity	140 (35 cans per layer)
Reversible Doors	No
Noise	48 dB
Indoor Outdoor	Indoor
Glass Type	Double-tempered
Shelves Adjustable	Yes
Shelf Material Type	Coated Steel
Interior Material	201 Stainless-Steel
Exterior Material	201 Stainless-Steel, Glass and Plastic
Legs Adjustable	Yes
Casters	4
Safety Lock	Yes
Compressor Location	Bottom

# Plan View



718-576-6342  
info@koolmore.com