

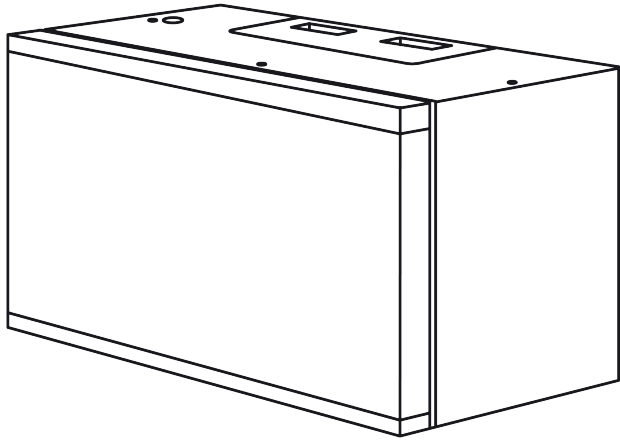


User Manual

MICROWAVE

24" OVER THE RANGE 1.3 CU.FT. MICROWAVE

MODEL:
KM-MOT-OP1SS



Read these instructions carefully before using your microwave oven, and keep it carefully. If you follow the instructions, your microwave oven will provide you with many years of good service.

SAVE THESE INSTRUCTIONS CAREFULLY

Intended for household use. Unit must be kept clear of combustibles at all times.

PRECAUTIONS TO AVOID POSSIBLE EXPOSURE TO EXCESSIVE MICROWAVE ENERGY

- (a) Do not attempt to operate this oven with the door open since open-door operation can result in harmful exposure to microwave energy. It is important not to defeat or tamper with the safety interlocks.
- (b) Do not place any object between the oven front face and the door or allows soil or cleaner residue to accumulate on sealing surfaces.
- (c) Do not operate the oven if it is damaged. It is particularly important that the oven door close properly and that there is no damage to the:
 - (1) DOOR (bent)
 - (2) HINGES AND LATCHES (broken or loosened)
 - (3) DOOR SEALS AND SEALING SURFACES
- (d) The oven should not be adjusted or repaired by anyone except properly qualified service personnel.

Specifications

Model:	KM-MOT-OP1SS
Rated Voltage:	120V~60Hz
Rated Input Power(Microwave):	1500W
Rated Output Power(Microwave):	1000W
Oven Capacity:	1.3 cu.ft.
Turntable Diameter:	Ø13.5"
External Dimensions:	23.8" x 16.1" x 17"
Net Weight:	Approx. 57 lbs

IMPORTANT SAFETY INSTRUCTIONS

When using electrical appliances basic safety precautions should be followed, including the following:

WARNING - To reduce the risk of burns, electric shock, fire, injury to persons or exposure to excessive microwave energy:

1. Read all instructions before using the appliance.
2. Read and follow the specific: "PRECAUTIONS TO AVOID POSSIBLE EXPOSURE TO EXCESSIVE MICROWAVE ENERGY" found on page 2.
3. This appliance must be grounded. Connect only to properly grounded outlet. See "GROUNDING INSTRUCTIONS" found on page 4.
4. Install or locate this appliance only in accordance with the provided installation instructions.
5. Some products such as whole eggs and sealed containers - for example, closed glass jars - are able to explode and should not be heated in this oven.
6. Use this appliance only for its intended use as described in the manual. Do not use corrosive chemicals or vapors in this appliance. This type of oven is specifically designed to heat, cook or dry food. It is not designed for industrial or laboratory use.
7. As with any appliance, close supervision is necessary when used by children.
8. Do not operate this appliance if it has a damaged cord or plug, if it is not working properly, or if it has been damaged or dropped.
9. This appliance should be serviced only by qualified service personnel. Contact nearest authorized service facility for examination, repair, or adjustment.
10. Do not cover or block any openings on the appliance.
11. Do not store this appliance outdoors. Do not use this product near water - for example, near a kitchen sink, in a wet basement, near a swimming pool, or similar location.
12. Do not immerse cord or plug in water.
13. Keep cord away from heated surface.
14. Do not let cord hang over edge of table or counter.
15. When cleaning surfaces of door and oven that comes together on closing the door, use only mild, nonabrasive soaps, or detergent applied with a sponge or soft cloth.
16. To reduce the risk of fire in the oven cavity:
 - 1). Do not overcook food. Carefully attend appliance when paper, plastic, or other combustible materials are placed inside the oven to facilitate cooking.
 - 2). Remove wire twist-ties from paper or plastic bag before placing bag in oven.
 - 3). If material inside of the oven ignite, keep oven door closed, turn oven off, and disconnect the power cord, or shut off power at the fuse or circuit breaker panel.
 - 4). Do not use the cavity for storage purposes. Do not leave paper products, cooking utensils, or food in the cavity when not in use.
17. Liquids, such as water, coffee, or tea are able to be overheated beyond the boiling point without appearing to be boiling. Visible bubbling or boiling when the container is removed from the microwave oven is not always present.

THIS COULD RESULT IN VERY HOT LIQUID SUDDENLY BOILING OVER WHEN THE CONTAINER IS DISTURBED OR A UTENSIL IS INSERTED INTO THE LIQUID.

To reduce the risk of injury to persons:

- 1) Do not overheat the liquid.
 - 2) Stir the liquid both before and halfway through heating it.
 - 3) Do not use straight-sided containers with narrow necks.
 - 4) After heating, allow the container to stand in the microwave oven for a short time before removing the container.
 - 5) Use extreme care when inserting a spoon or other utensil into the container.
18. Clean Ventilation Hoods Frequently - Grease should not be allowed to accumulate on hood or filter.
 19. When flaming foods under the hood, turn the fan on.
 20. Use care when cleaning the vent-hood filter. Corrosive cleaning agents, such as lye-based oven cleaners, may damage the filter
 21. Suitable for use above both gas and electric cooking equipment.

SAVE THESE INSTRUCTIONS

GROUNDING INSTRUCTIONS

This appliance must be grounded. In the event of an electrical short circuit, grounding reduces the risk of electric shock by providing an escape wire for the electric current. This appliance is equipped with a cord having a grounding wire with a grounding plug. The plug must be plugged into an outlet that is properly installed and grounded.

WARNING - Improper use of the grounding can result in a risk of electric shock.

Consult a qualified electrician or serviceman if the grounding instructions are not completely understood, or if doubt exists as to whether the appliance is properly grounded. If it is necessary to use an extension cord, use only a 3-wire extension cord that has a 3-blade grounded plug, and 3-slot receptacle that will accept the plug on the appliance. The marked rating of the extension cord shall be equal to or greater than the electrical rating of the appliance.

DANGER - Electric Shock Hazard

Touching some of the internal components can cause serious personal injury or death. Do not disassemble this appliance.

WARNING - Electric Shock Hazard

Improper use of the grounding can result in electric shock. Do not plug into an outlet until appliance is properly installed and grounded.

1. A short power-supply cord is provided to reduce the risks resulting from becoming entangled in or tripping over a longer cord.
2. Longer cord sets or extension cords are available and may be used if care is exercised in their use.
3. If a long cord or extension cord is used:
 - 1) The marked electrical rating of the cord set or extension cord should be at least as great as the electrical rating of the appliance.
 - 2) The extension cord must be a grounding-type 3-wire cord.
 - 3) The longer cord should be arranged so that it will not drape over the counter top or tabletop where it can be pulled on by children or tripped over unintentionally.

RADIO INTERFERENCE

1. Operation of the microwave oven may cause interference to your radio, TV or similar equipment.
2. When there is interference, it may be reduced or eliminated by taking the following measures:
 - 1) Clean door and sealing surface of the oven
 - 2) Reorient the receiving antenna of radio or television.
 - 3) Relocate the microwave oven with respect to the receiver.
 - 4) Move the microwave oven away from the receiver.
 - 5) Plug the microwave oven into a different outlet so that microwave oven and receiver are on different branch circuits.

UTENSILS

CAUTION - Personal Injury Hazard

Tightly-closed utensils could explode. Closed containers should be opened and plastic pouches should be pierced before cooking.

See the instructions on "Materials you can use in microwave oven or to be avoided in microwave oven."

There may be certain non-metallic utensils that are not safe to use for microwaving. If in doubt, you can test the utensil in question following the procedure below.

Utensil T est:

1. Fill a microwave-safe container with 1 cup of cold water (250ml) along with the utensil in question.
2. Cook on maximum power for 1 minute.
3. Carefully feel the utensil. If the empty utensil is warm, do not use it for microwave cooking.
4. Do not exceed 1 minute cooking time.

Materials you can use in microwave oven

Utensils	Remarks
Browning dish	Follow manufacturer* instructions. The bottom of browning dish must be at least 3/16 inch (5mm) above the turntable. Incorrect usage may cause the turntable to break.
Dinnerware	Microwave-safe only. Follow manufacturer's instructions. Do not use cracked or chipped dishes.
Glass jars	Always remove lid. Use only to heat food until just warm. Most glass jars are not heat resistant and may break.
Glassware	Heat-resistant oven glassware only. Make sure there is no metallic trim. Do not use cracked or chipped dishes.
Oven cooking bags	Follow manufacturer* instructions. Do not close with metal tie. Make slits to allow steam to escape.
Paper plates and cups	Use for short*erm cooking/warming only. Do not leave oven unattended while cooking.
Paper towels	Use to cover food for reheating and absorbing fat. Use with supervision for a short-term cooking only.
Parchment paper	Use as a cover to prevent splattering or a wrap for steaming.

Materials you can use in microwave oven

Utensils	Remarks
Plastic	Microwave-safe only. Follow the manufacturer* instructions. Should be labeled "Microwave Safe". Some plastic containers soften, as the food inside gets hot. "Boiling bags" and tightly closed plastic bags should be slit, pierced or vented as directed by package.
Plastic wrap	Microwave-safe only. Use to cover food during cooking to retain moisture. Do not allow plastic wrap to touch food.
Thermometers	Microwave-safe only (meat and candy thermometers).
Wax paper	Use as a cover to prevent splattering and retain moisture.

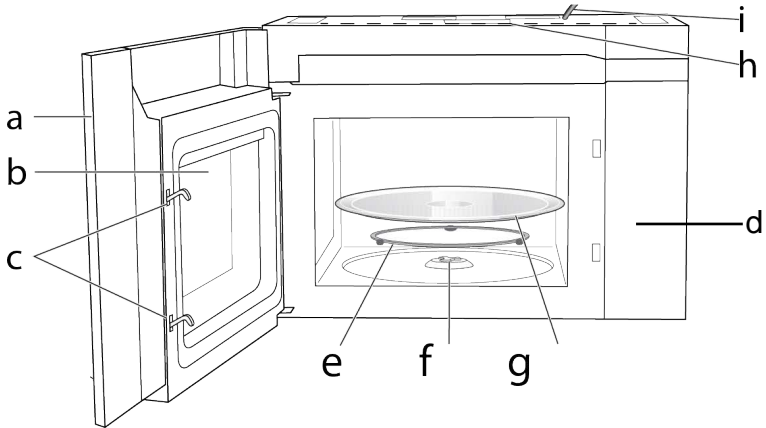
Materials to be avoided in microwave oven

Utensils	Remarks
Aluminum tray	May cause arcing. Transfer food into microwave-safe dish.
Food carton with metal handle	May cause arcing. Transfer food into microwave-safe dish.
Metal or metal-trimmed utensils	Metal shields the food from microwave energy. Metal trim may cause arcing.
Metal twist ties	May cause arcing and could cause a fire in the oven.
Paper bags	May cause a fire in the oven.
Plastic foam	Plastic foam may melt or contaminate the liquid inside when exposed to high temperature.
Wood	Wood will dry out when used in the microwave oven and may split or crack.

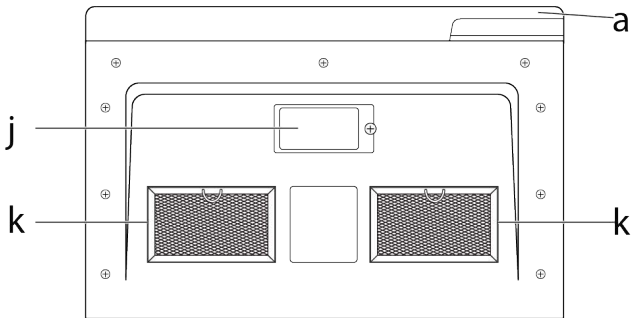
OPERATING INSTRUCTIONS

FEATURES OF YOUR MICROWAVE

Front View

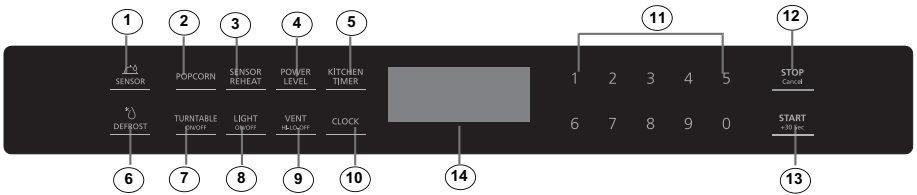


Bottom View



- | | |
|-----------------------------|---------------------|
| (A) Door | (G) Glass Turntable |
| (B) Window | (H) Top Grille |
| (C) Interlock System | (I) Power Cord |
| (D) Control Panel | (J) Surface Lights |
| (E) Turntable Ring Assembly | (K) Grease Filters |
| (F) Turntable Coupler | |

CONTROLS



- 1) Sensor
- 2) Popcorn
- 3) Sensor Reheat
- 4) Power Level
- 5) kitchen Timer
- 6) Defrost
- 7) Turntable ON/OFF
- 8) Light ON/OFF
- 9) Vent Fan HI-LO-OFF
- 10) Clock
- 11) Number Pads
- 12) Stop/Cancel
- 13) Start/ +30Sec.
- 14) Display Screen

Operation

1 . Power Level

10 power levels are available.

Level	10	9	8	7	6	5	4	3	2	1	0
Power	100%	90%	80%	70%	60%	50%	40%	30%	20%	10%	0%
Display	PL-HI	PL-90	PL-80	PL-70	PL-60	PL-50	PL-40	PL-30	PL-20	PL-10	PL-0

2 . Power On

When the microwave oven is electrified, the screen will display " 12:00 PRESS CLOCK ENTER TIME ". The buzzer will ring once. Press number keys to set clock or press " STOP/Cancel " to exit clock setting mode. If there is no operation within 5 minutes, the oven will enter waiting state.

3 . Clock

The clock can be set in 12-hour mode.

- 1) In waiting state, press " Clock " once. the screen will display "12:00 PRESS CLOCK ENTER TIME".
- 2) Press the number keys and enter the correct time. For example, time is 10:12 now, please press " 1,0,1,2 " in turn.
- 3) Press " Start/+30 Sec " button to cnfirm the clock.

4 . Kitchen Timer

- 1) Press " Kitchen Timer " once, " ENTER TIME " will blink in the display.
- 2) Press the number keys and enter the timer time.(The maximum cooking time is 99 minutes and 99 seconds)
- 3) Press " Start/+30 Sec " to confirm setting. The kitchen time will start counting down.

5. Time Cook

- 1) In waiting state, press the number keys to set the cooking time. (The maximum cooking time is 99 minutes and 99 seconds)
- 2) Press " Power Level " repeatedly to adjust the power level. The default power is PL-HI.
- 3) Press "Start/+30 Sec " to start microwave cooking.

6. Lock-out Function for Children

Lock: In waiting state, press "STOP/CANCEL" for 3seconds, there will be a long beep denoting entering the children-lock state. The lock indicator will light and current time will display if the time has been set.

Lock quitting: In locked state, "press STOP/CANCEL" for 3seconds, there will be a long "beep" denoting that the lock is released .

7. Speedy Cooking

- (1) In waiting state, instant cooking at 100% power level can be started by select a cooking time from 1 to 9 minutes by pressing number pads 1 to 9.
- (2) In waiting state, instant cooking at 100% power level with 30 seconds' cooking time can be started by pressing " Start/+30 Sec ". Each press on the same button will increase cooking time by 30 seconds. The maximum cooking time is 99 minutes and 99 seconds.

8. Popcorn

- 1) Press "**Popcorn**" repeatedly until the number you wish appears in the display.
"1"SET: approximate 3.3 ounces
"2"SET: approximate 3.0 ounces
"3"SET: approximate 1.75 ounces
For example, press "**Popcorn**" once, "3.3" appears in the screen.
- 2) Press "**START/+30SEC**" to cook.

9. Auto Defrost

- 1) Press "**Auto Defrost**" once, the screen will display "MEAT".
- 2) Press "**Auto Defrost**" repeatedly to choose the desired function. And "MEAT", "POULTRY", "FISH" or "BREAD" will display in turn.
- 3) Press "**START/+30SEC**" to confirm the function. The screen will display "ENTER WEIGHT".
- 4) Press the number keys to set the weight of the food.
- 5) Press "**START/+30SEC**" to start defrosting.

Auto Defrost programs

Press button	Food	Weight range
1	Meat	0.1 - 6.0 lbs
2	Poultry	0.1 - 6.0 lbs
3	Fish	0.1 - 6.0 lbs
4	Bread	0.1 - 6.0 lbs

10. Sensor Reheat

- 1) Press "**Sensor Reheat**" once , the screen will display "BAKED POTATO".
- 2) Press "**Sensor Reheat**" repeatedly until the menu you wish appears in the display.
- 3) Press "**START/+30SEC**" to start sensor cook mode. The appliance starts sensing.

The microwave is operating during sensing. When sensing is complete, beeps will sound and the calculated cook time will start to count down.

Note: Do not open the door during the sensing process, or the program will be cancelled.

Sensor Reheat programs

Program no.	Menu	Quantity
1	Beverage	1 - 3 cups
2	Dinner Plate	1 plate
3	Pizza	1 - 4 slices
4	Soup/Sauce	1-3 cups
5	Casserole/Lasagna	10.5 oz

11. Sensor Cook

- 1) Press "**Sensor Cook**" once , the screen will display "BAKED POTATO".
- 2) Press "**Sensor Cook**" repeatedly until the menu you wish appears in the display.
- 3) Press "**START/+30SEC**" to start sensor cook mode. The appliance starts sensing.

The microwave is operating during sensing. When sensing is complete, beeps will sound and the calculated cook time will start to count down.

Note: Do not open the door during the sensing process, or the program will be cancelled.

Sensor Cook programs

Program no.	Menu	Quantity
1	Baked Potato	1 - 4 potatoes
2	Fresh Vegetable	2 cups
3	Frozen Vegetable	2 cups
4	Bacon	1 - 3 slices
5	Frozen Dinner	10/20 oz
6	Rice	1 - 2 cups
7	Frozen Breakfast	8 - 12 oz
8	Frozen Pizza	12 oz

12 .Operating the Ventilation Fan

- 1) Press " **Vent Hi-Lo-Off** " once to start ventilation fan, the screen will display "HIGH" .
The oven will return to waiting state after 2 seconds.
- 2) Press " **Vent Hi-Lo-Off** " twice, the screen will display "LOW" .
The oven will return to waiting state after 2 seconds.
- 3) Press " **Vent Hi-Lo-Off** " thrice to turn off the ventilation fan , the screen will display "OFF" .The oven will return to waiting state after 2 seconds.

13 .Turning the Light on/off

The appliance is equipped with a cooking surface light, to light the surface underneath the appliance. With the "**Light On/Off** " button you can set two brightness levels.

Display	Brightness
HI	High
LO	Low
OFF	Off

14 .Turning the turntable on / off

For best cooking results, leave the turntable on. It can be turned off for large dishes. To turn the turntable off, press" **Turntable On/Off** " once.

The screen will display "OFF" for 2 seconds. Press" **Turntable On/Off** " again to turn the turntable on. The screen will display " ON " for 2 seconds.

MAINTENANCE

Troubleshooting

Check your problem by using the chart below and try the solutions for each problem. If the microwave oven still does not work properly, contact the nearest authorized service center.

TROUBLE	POSSIBLE CAUSE	POSSIBLE REMEDY
Oven will not start	<ul style="list-style-type: none">a. Electrical cord for oven is not plugged in.b. Door is open.c. Wrong operation is set.	<ul style="list-style-type: none">a. Plug into the outlet.b. Close the door and try again.c. Check instructions.
Arcing or sparking	<ul style="list-style-type: none">a. Materials to be avoided in microwave oven were used.b. The oven is operated when empty.c. Spilled food remains in the cavity.	<ul style="list-style-type: none">a. Use microwave-safe cookware only.b. Do not operate with oven empty.c. Clean cavity with wet towel.
Unevenly cooked foods	<ul style="list-style-type: none">a. Materials to be avoided in microwave oven were used.b. Food is not defrosted completely.c. Cooking time, power level is not suitable.d. Food is not turned or stirred.	<ul style="list-style-type: none">a. Use microwave-safe cookware only.b. Completely defrost food.c. Use correct cooking time, power level.d. Turn or stir food.
Overcooked foods	Cooking time, power level is not suitable.	Use correct cooking time, power level.
Undercooked foods	<ul style="list-style-type: none">a. Materials to be avoided in microwave oven were used.b. Food is not defrosted completely.c. Oven ventilation ports are restricted.d. Cooking time, power level is not suitable.	<ul style="list-style-type: none">a. Use microwave-safe cookware only.b. Completely defrost food.c. Check to see that oven ventilation ports are not restricted.d. Use correct cooking time, power level.
Improper defrosting	<ul style="list-style-type: none">a. Materials to be avoided in microwave oven were used.b. Cooking time, power level is not suitable.c. Food is not turned or stirred.	<ul style="list-style-type: none">a. Use microwave-safe cookware only.b. Use correct cooking time, power level.c. Turn or stir food.

WARRANTY

LIMITED WARRANTY

LIMITED WARRANTY KOOLMORE SUPPLY, INC. warrants to the original consumer or purchaser this KOOLMORE product is free from defects in material or workmanship for a period of One (1) year from the date of purchase. If any such defect is discovered within the warranty period,

KOOLMORE SUPPLY, INC., at its discretion, will repair or replace the product at no cost or pay for replacement parts and repair labor to correct defects in materials or workmanship that existed when this major appliance was purchased or that are the result of normal usage when this major appliance is installed, operated and maintained according to instructions attached to or furnished with the product, At its sole discretion. Koolmore Supply Inc may determine to replace the product. In the event of product replacement, your appliance will be warranted for the remaining term of the original unit's warranty period.

This limited warranty is good only to the original purchaser of the product and effective only when used in the United States.

This limited warranty is effective from the date of original consumer purchase. Proof of original purchase date is required to obtain service under this limited warranty.

YOU'RE SOLE AND EXCLUSIVE REMEDY UNDER THIS LIMITED WARRANTY SHALL BE PRODUCT REPAIR AS PROVIDED HEREIN.

Service must be provided by a Koolmore designated service company.

For warranty or repair service: Email us at support@koolmore.com include your name, address, phone number, warranty repair request, and a copy of your proof of purchase receipt.

You can also visit us at koolmore.com and use the contact us page.

KOOLMORE customer service will contact you and arrange prompt service for your appliance.

Thank you for choosing KOOLMORE.

THIS LIMITED WARRANTY DOES NOT APPLY TO

- 1.Failure of product to perform during power failures and interruptions or inadequate electrical service
- 2.Damage caused by transportation or handling.
- 3.Damage caused to the product by accident, vermin, lightning winds, fire, floods, or acts of God.
- 4.Damage resulting from accident, alteration, misuse, abuse, or improper installation, repair, or maintenance. Improper use includes using an external device that alters or converts the voltage or frequency of electricity
- 5.Any unauthorized product modification, repair by unauthorized repair center, or use of non-approved replacement parts.
- 6.Abnormal cleaning and maintenance as described in the user's manual.
- 7.Use of accessories or components that are not compatible with this product.

The cost of repair or replacement under these excluded circumstances shall be borne by the consumer.