



INSTALLATION MANUAL

CABINET

KoolMore Outdoor Kitchen System 3 Drawer Cabinet Modular

Model:

KM-OKS-CAB3

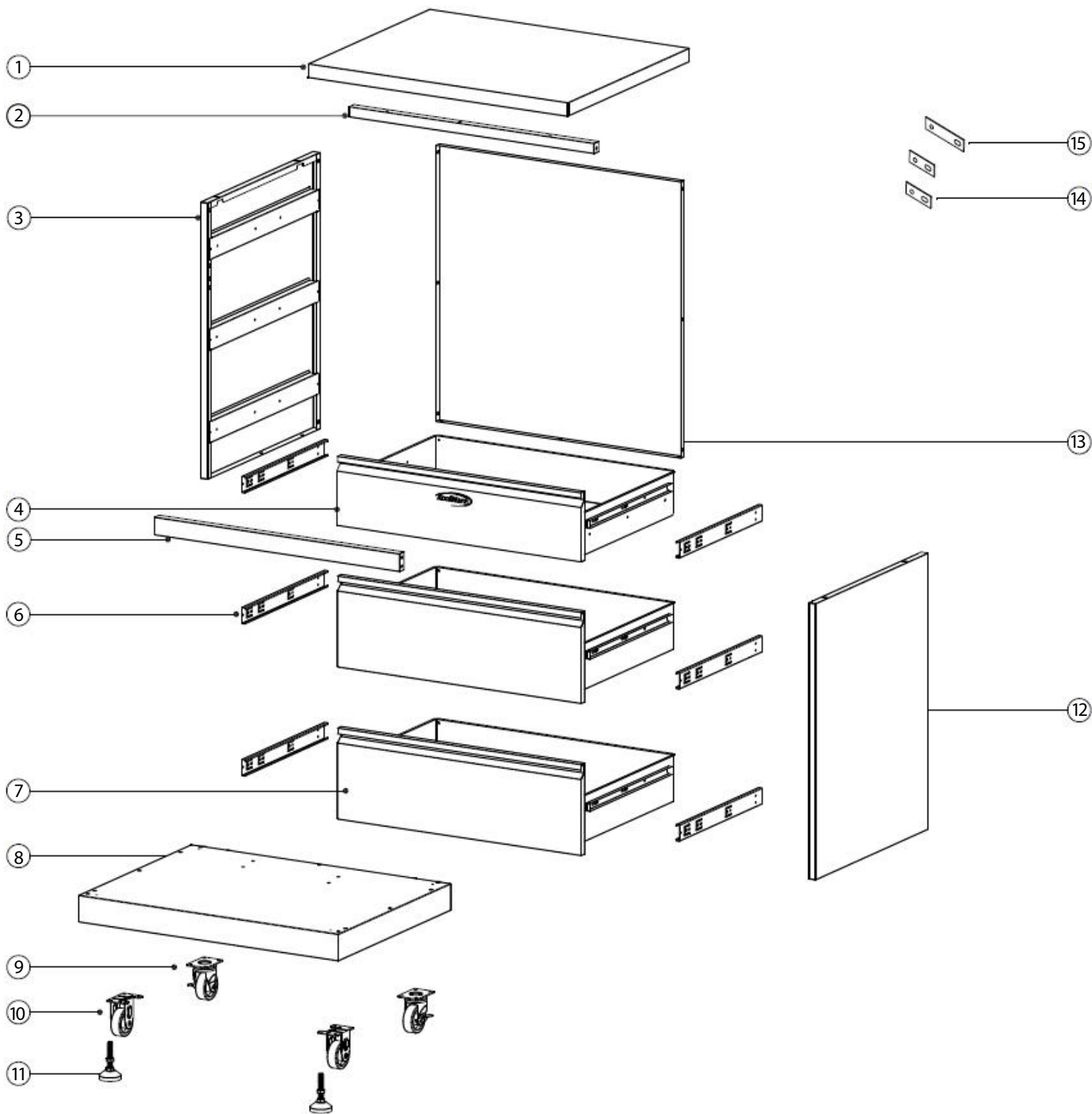
(Compatible With The KoolMore Outdoor Kitchen System)



Before using, please read the operating instructions carefully to ensure proper application and achieve satisfactory results.

***For any service-related Issues, please contact us: Phone Number: 718-576-6342
Email address: support@koolmore.com***

PARTS DRAWING



PART LIST

Item No.	Part Name	Quantity
1	Countertop Welding Assembly	1
2	Above Beam Welding Assembly	1
3	Left Side Panel Welding Assembly	1
4	Above Drawer Assembly	1
5	Front Beam Welding Assembly	1
6	Slideway	6
7	Below Drawer Assembly	2
8	Bottom Panel Welding Assembly	1
9	Universal Caster with Brake	2
10	Fixed Caster	2
11	Supporting Leg	2
12	Right Side Panel Welding Assembly	1
13	Back Panel Welding Assembly	1
14	Back Connection Strap	2
15	Front Connection Strap	1

MISSING

PLEASE

ADD



WARRANTY

LIMITED WARRANTY

Koolmore Supply, Inc. extends a limited warranty to the original purchaser, guaranteeing that this Koolmore product is free from manufacturing defects in material or workmanship for one year from the date of purchase.

Should you discover any such defect within the warranty period, Koolmore Supply, Inc., reserves the right to repair or replace the product without charge, or to cover the cost of replacement parts and repair labor needed to correct defects present at the time of purchase or resulting from regular usage, when the appliance has been installed, operated, and maintained as per the instructions provided.

At its sole discretion, Koolmore Supply Inc. may decide to replace the product. In such an event, your replacement appliance will carry the warranty for the remaining term of the original unit's warranty period.

This warranty is valid exclusively to the original purchaser of the product and only applicable within the United States. The warranty commences from the date of original consumer purchase. Proof of the original purchase date will be required to obtain service under this warranty.

Under this limited warranty, your sole and exclusive remedy will be product repair, as outlined above. All services must be provided by a Koolmore-designated service company.

To claim warranty or request repair service:

Email support@koolmore.com. Please include your name, address, phone number, warranty repair request, and a copy of your proof of purchase receipt. Alternatively, visit koolmore.com and use the contact us page. A Koolmore customer service representative will promptly arrange service for your appliance.

We thank you for choosing Koolmore.

WARRANTY EXCLUSIONS

This limited warranty will not cover:

1. Failure of the product to perform during power failures or interruptions, or due to inadequate electrical service.
2. Damage incurred during transportation or handling.
3. Damage caused by accidents, vermin, lightning, winds, fire, floods, or acts of God.
4. Damage resulting from accidents, alterations, misuse, abuse, improper installation, repair, or maintenance. This includes using any external device that alters or converts the voltage or frequency of electricity.
5. Unauthorized product modifications, repairs by unauthorized centers, or use of non-approved replacement parts.
6. Abnormal cleaning and maintenance not aligned with the user's manual.
7. Use of incompatible accessories or components.
8. Any costs associated with repairs or replacements under these excluded circumstances shall be the responsibility of the consumer.

