



INSTALLATION MANUAL

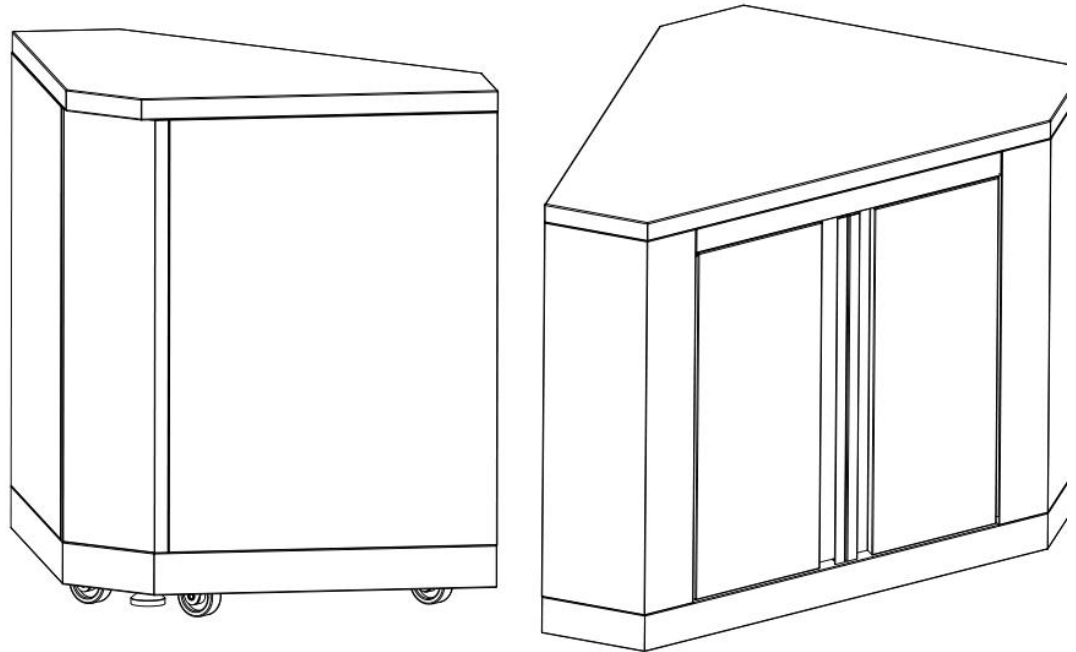
CABINET

KoolMore Outdoor Kitchen System Corner Cabinet Modular

Model:

KM-OKS-CCAB

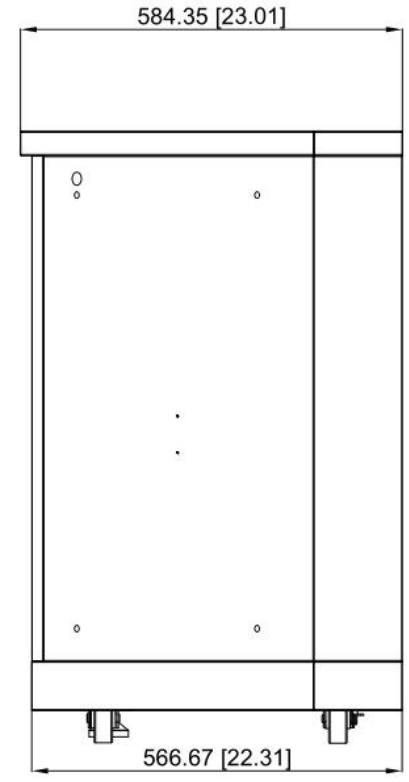
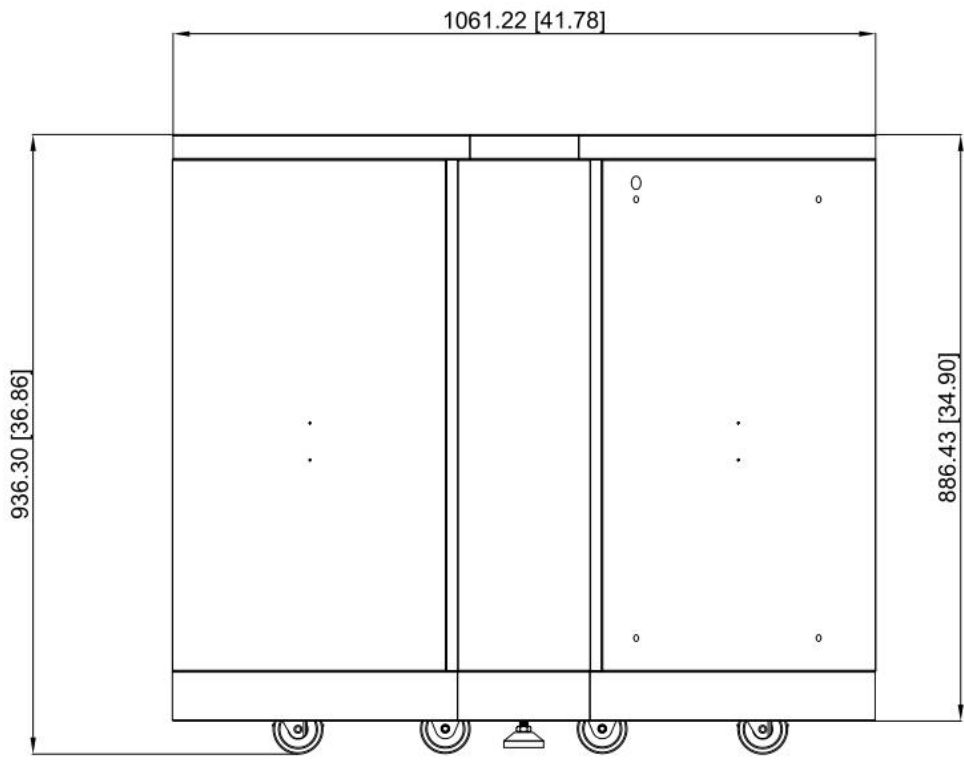
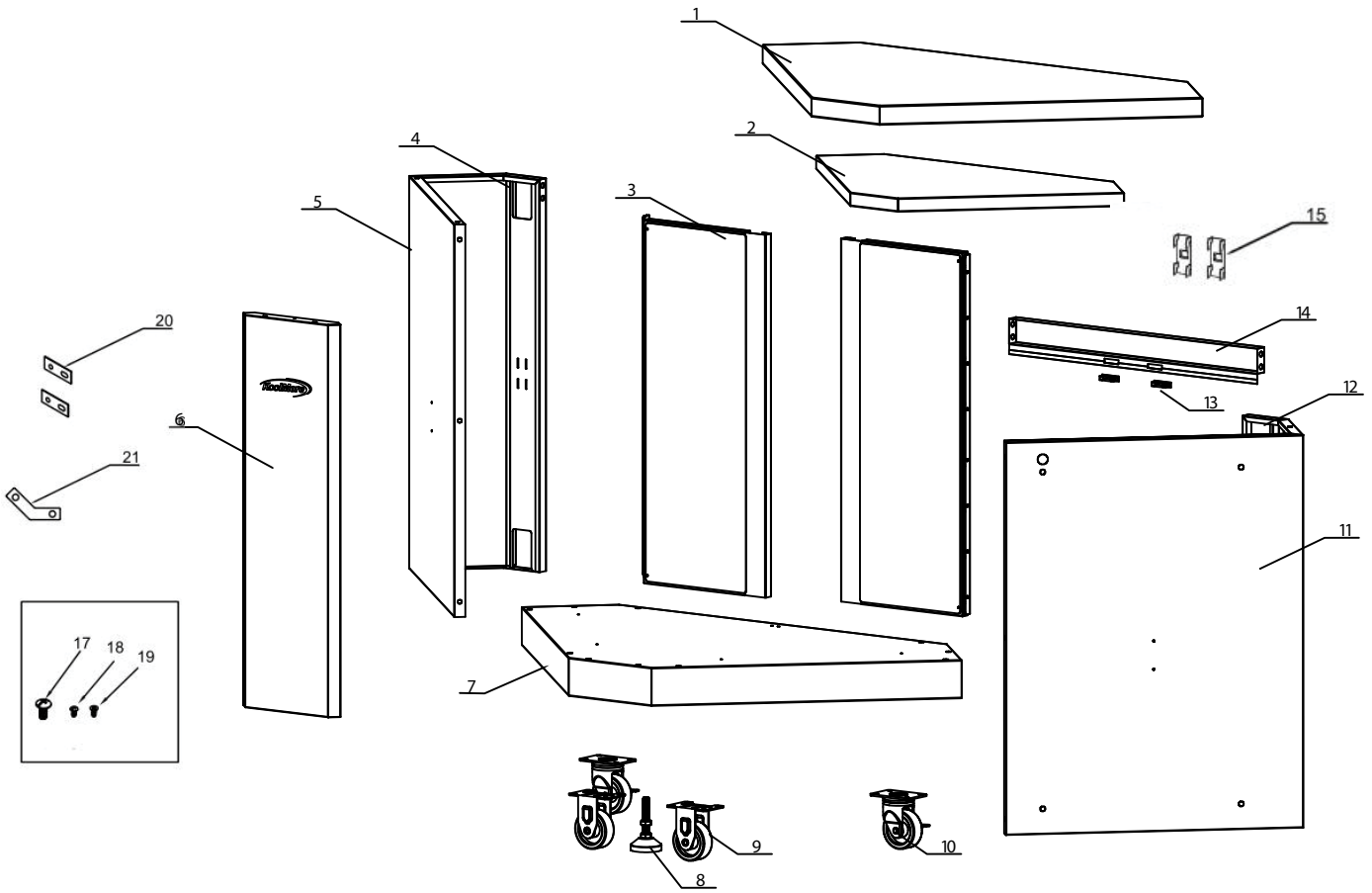
(Compatible With The KoolMore Outdoor Kitchen System)



Before using, please read the operating instructions carefully to ensure proper application and achieve satisfactory results.

***For any service-related Issues, please contact
us: Phone Number: 718-576-6342
Email address: support@koolmore.com***

EXPLOSIVE DRAWING & DIMENSIONS

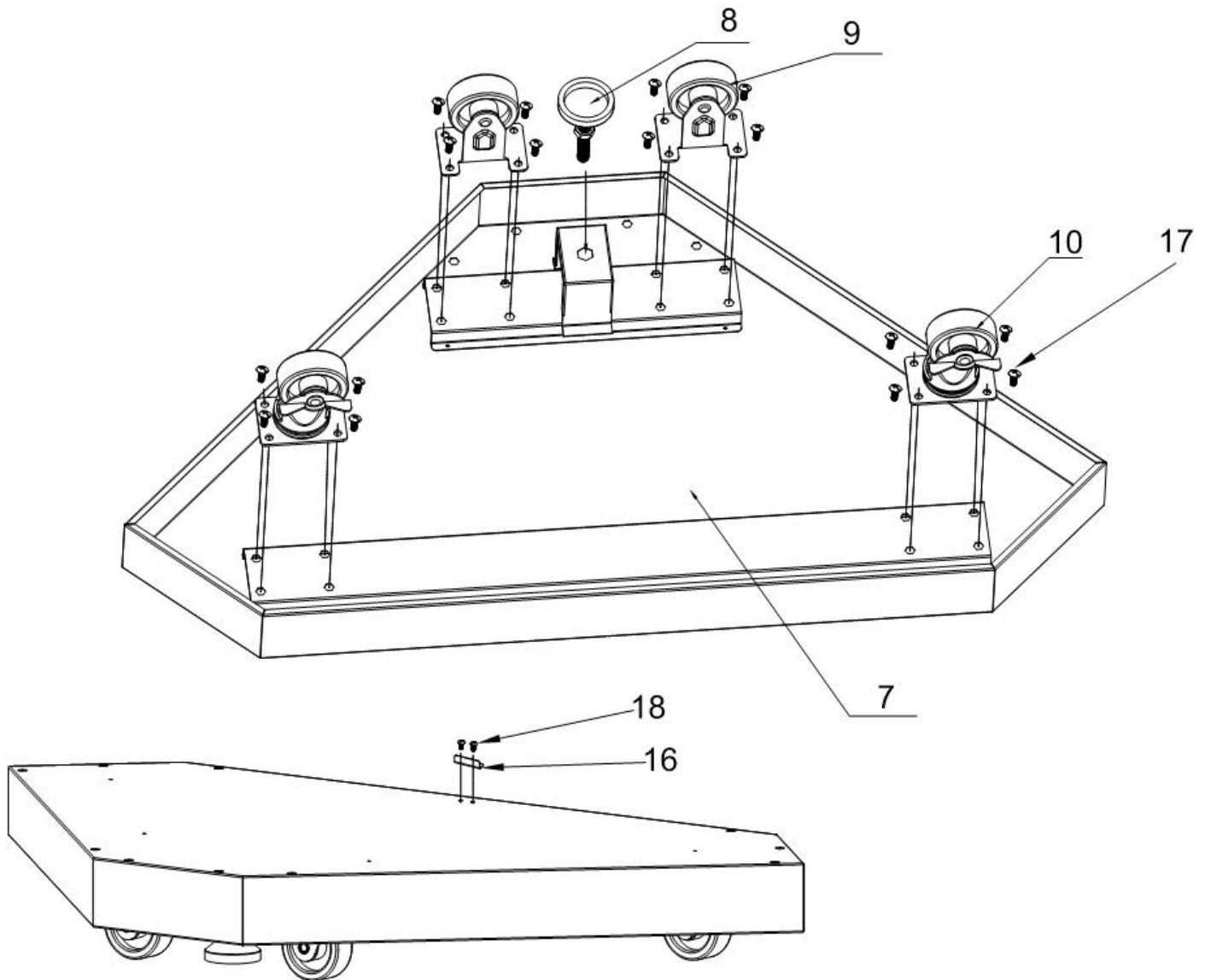


PART LIST

Item No.	Part Name	Quantity
1	Countertop Welding Assembly	1
2	Laminate Welding Assembly	1
3	Door Welding Assembly	2
4	Left Side Panel A Welding Assembly	1
5	Left Side Panel B Welding Assembly	1
6	Front Panel Welding Assembly	1
7	Bottom Panel Welding Assembly	1
8	Supporting Leg	2
9	Fixed Caster	2
10	Universal Caster	2
11	Right Side Panel B Welding Assembly	1
12	Left Side Panel A Welding Assembly	1
13	Door Magnetic	2
14	Beam Welding Assembly	1
15	Laminate Welding Holder	2
16	Door Barrier Strip	1
17	¼" Philips Thumb Head Screw with Anti-slip Design	58
18	Philips Thumb Head Screw	2
19	Flat Head Screw	16
20	Cabinet Back Connecting Plate	2
21	Corner Cabinet Front Connecting Plate	1

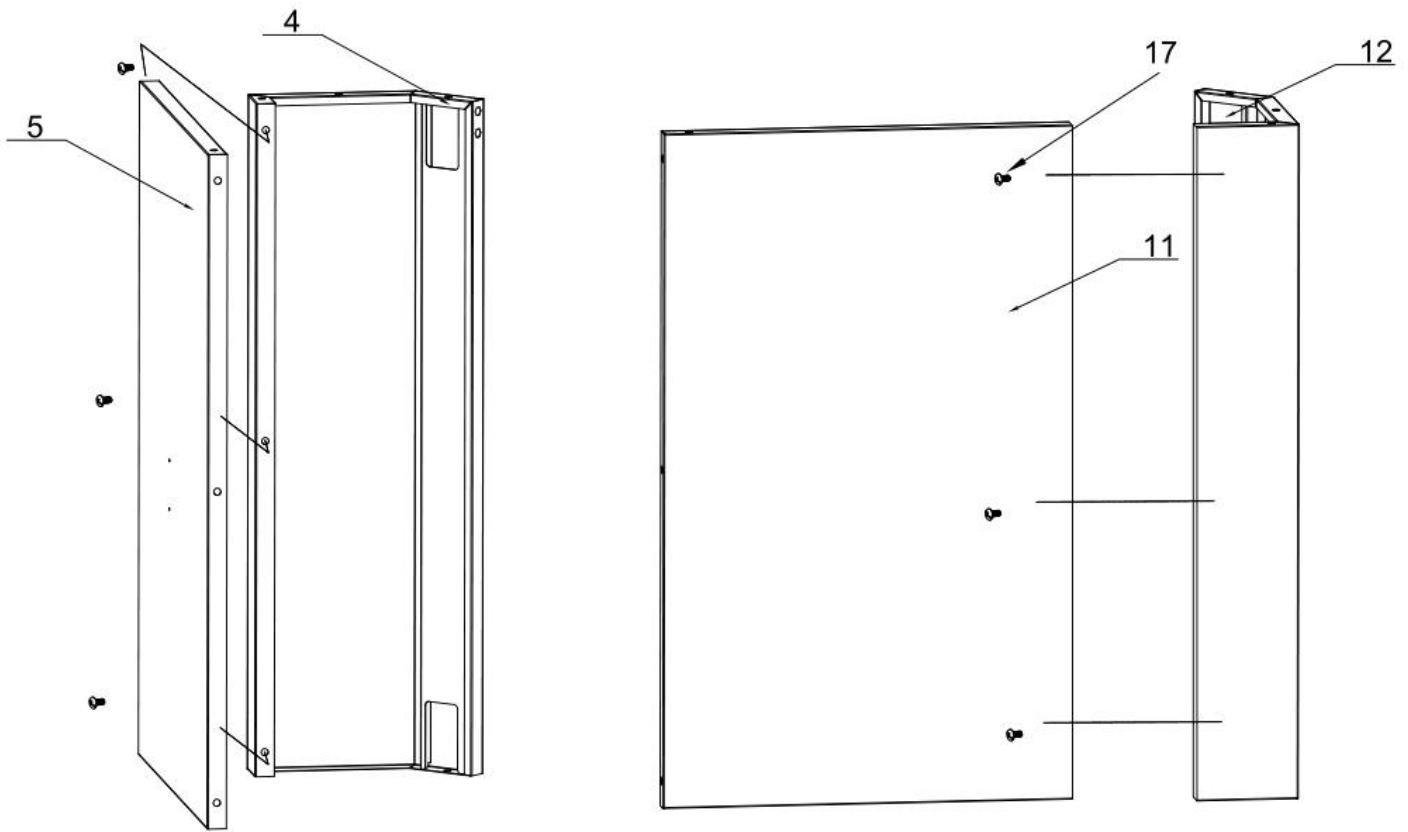
CABINET INSTALLATION: STEP 1

1. Turn over the Bottom Panel Welding Assembly (Part #7). Attach one Supporting Leg (Part #8) to Part #7. Manually adjust the leg to the appropriate position.
2. Use 16 pcs of the ¼" Philips Flat Head Screw (Part #19) to attach 2 pcs of Fixed Casters (Part #9) and 2 pcs of Universal Casters with Brake (Part #10) to Part #7.
3. Turn Part #7 back over and use 2 pcs of Philips Thumb Head Screw (Part #18) to install the Door Barrier Strip (Part #16) to Part #7.



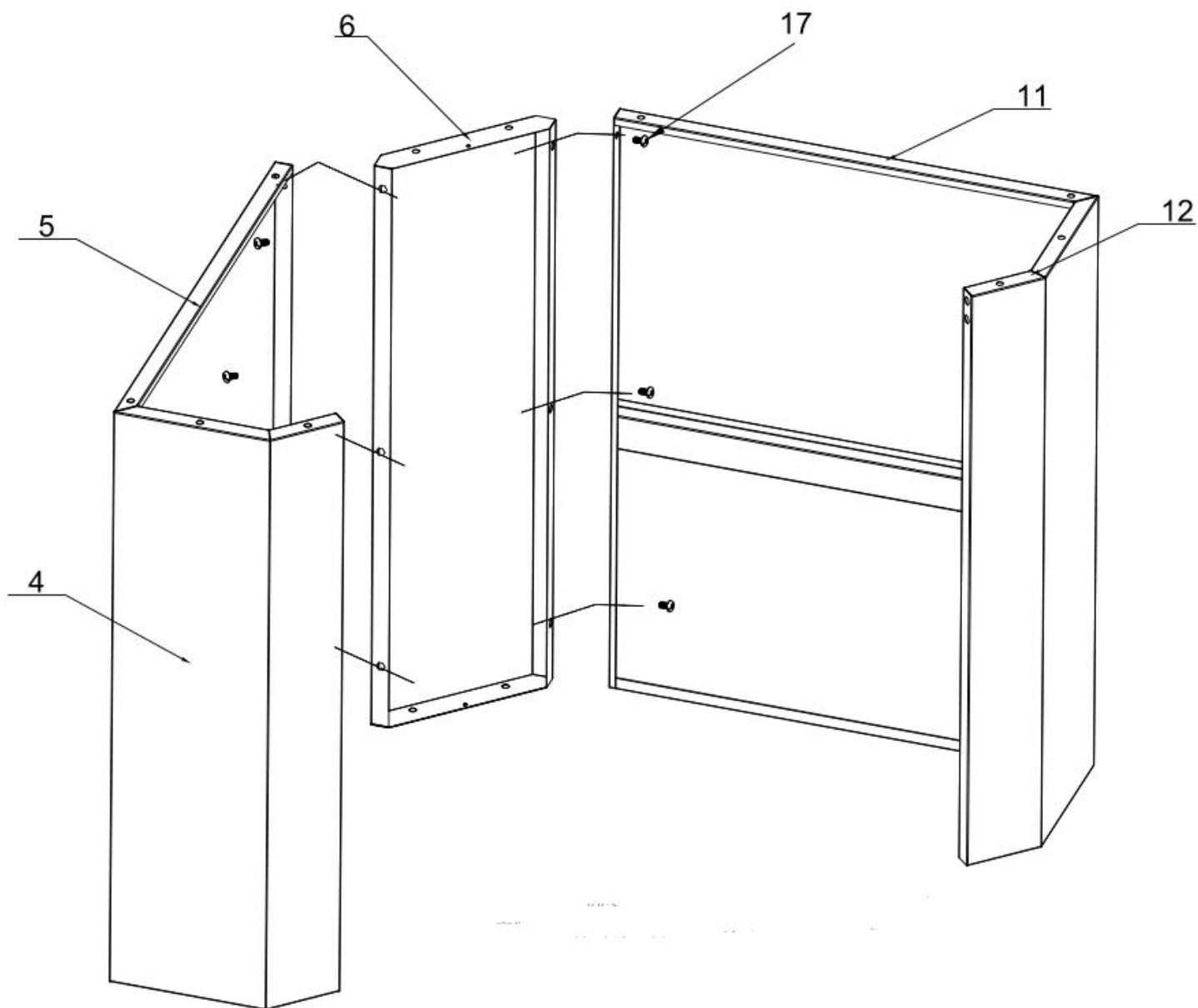
CABINET INSTALLATION: STEP 2

1. Using 3 pcs of the ¼" Philips Flat Head Screw (Part #19), attach the Left Side Panel A (Part #4) to Left Side Panel B (Part #5).
2. Use another 3 pcs of the ¼" Philips Flat Head Screw (Part #19) to connect Right Side Panel A (Part #12) to Right Side Panel B (Part #11).
3. Do not fully tighten all the screws until all parts are aligned correctly. Ensuring alignment before completely tightening screws will help avoid any misalignments or imbalances in the cabinet structure.



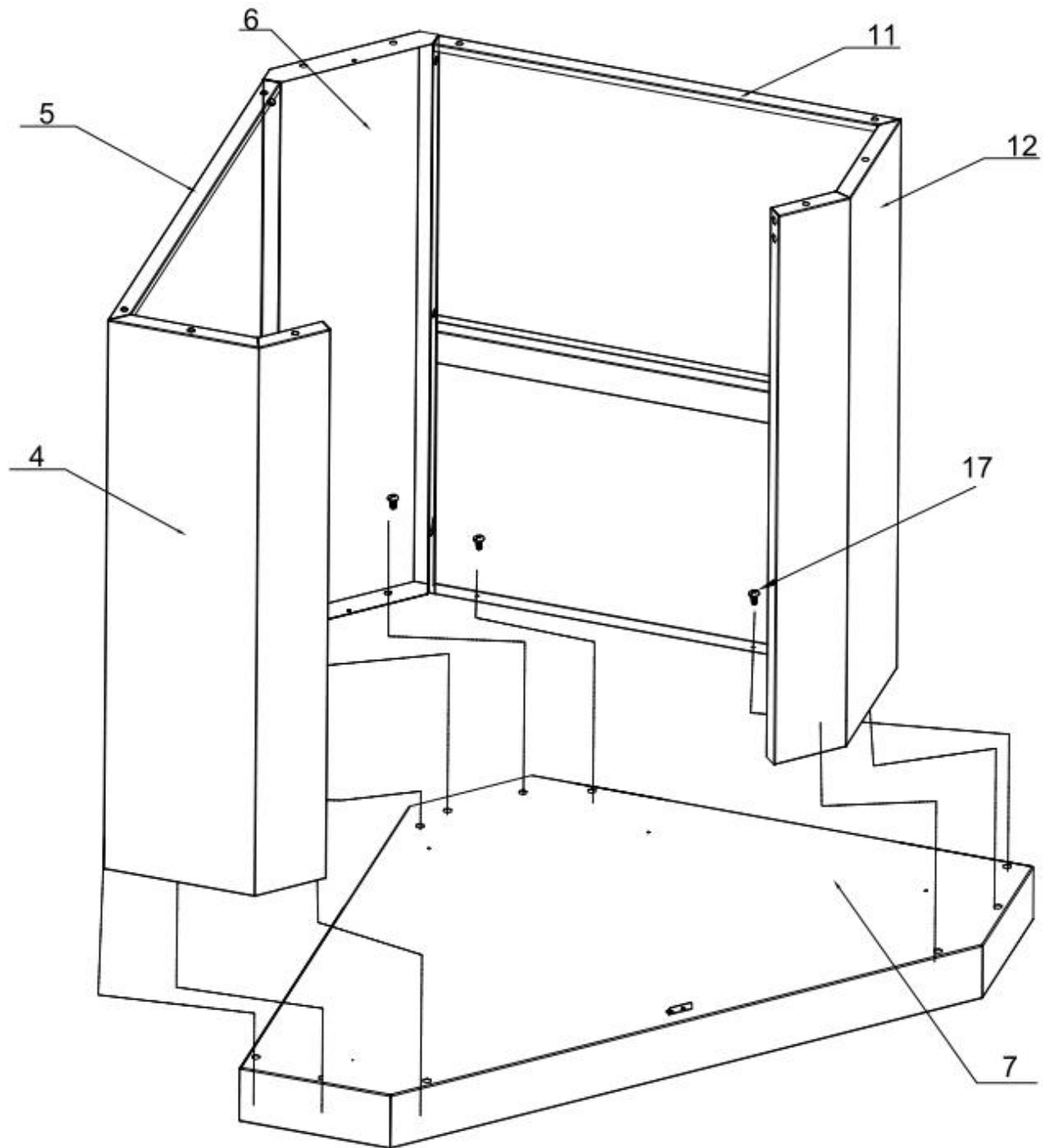
CABINET INSTALLATION: STEP 3

1. Use 6 pcs of the ¼" Philips Flat Head Screw (Part #19) to attach the Front Panel Welding Assembly (Part #6) to Left Side Panel B (Part #5) and Right Side Panel B (Part #11). Do not fully tighten all the screws until all parts are correctly aligned.



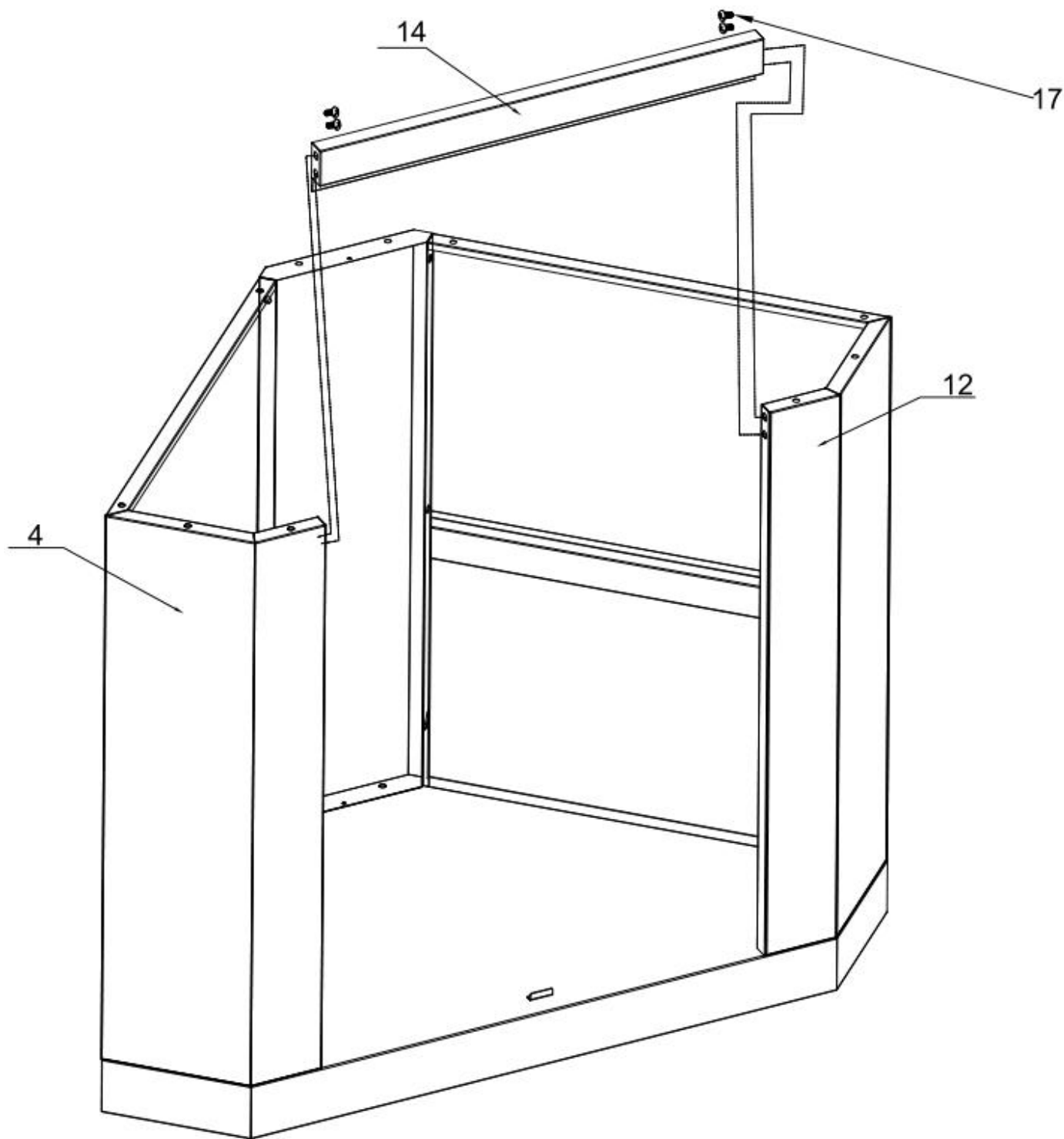
CABINET INSTALLATION: STEP 4

1. Using 4 pcs of the ¼" Philips Thumb Head Screw with Anti-slip Design (Part #17), attach the Left Side Panel A Welding Assembly (Part #4) and Left Side Panel B Welding Assembly (Part #5) to the Bottom Panel Welding Assembly (Part #7).
2. Use another 4 pcs of the ¼" Philips Thumb Head Screw with Anti-slip Design (Part #17) to connect the Right Side Panel B Welding Assembly (Part #11) and Left Side Panel A Welding Assembly (Part #12) to the Bottom Panel Welding Assembly (Part #7).
3. Use 2 pcs of the ¼" Philips Thumb Head Screw with Anti-slip Design (Part #17) to connect the Front Panel Welding Assembly (Part #6) to the Bottom Panel Welding Assembly (Part #7).
4. Do not fully tighten all the screws until all parts are correctly aligned.



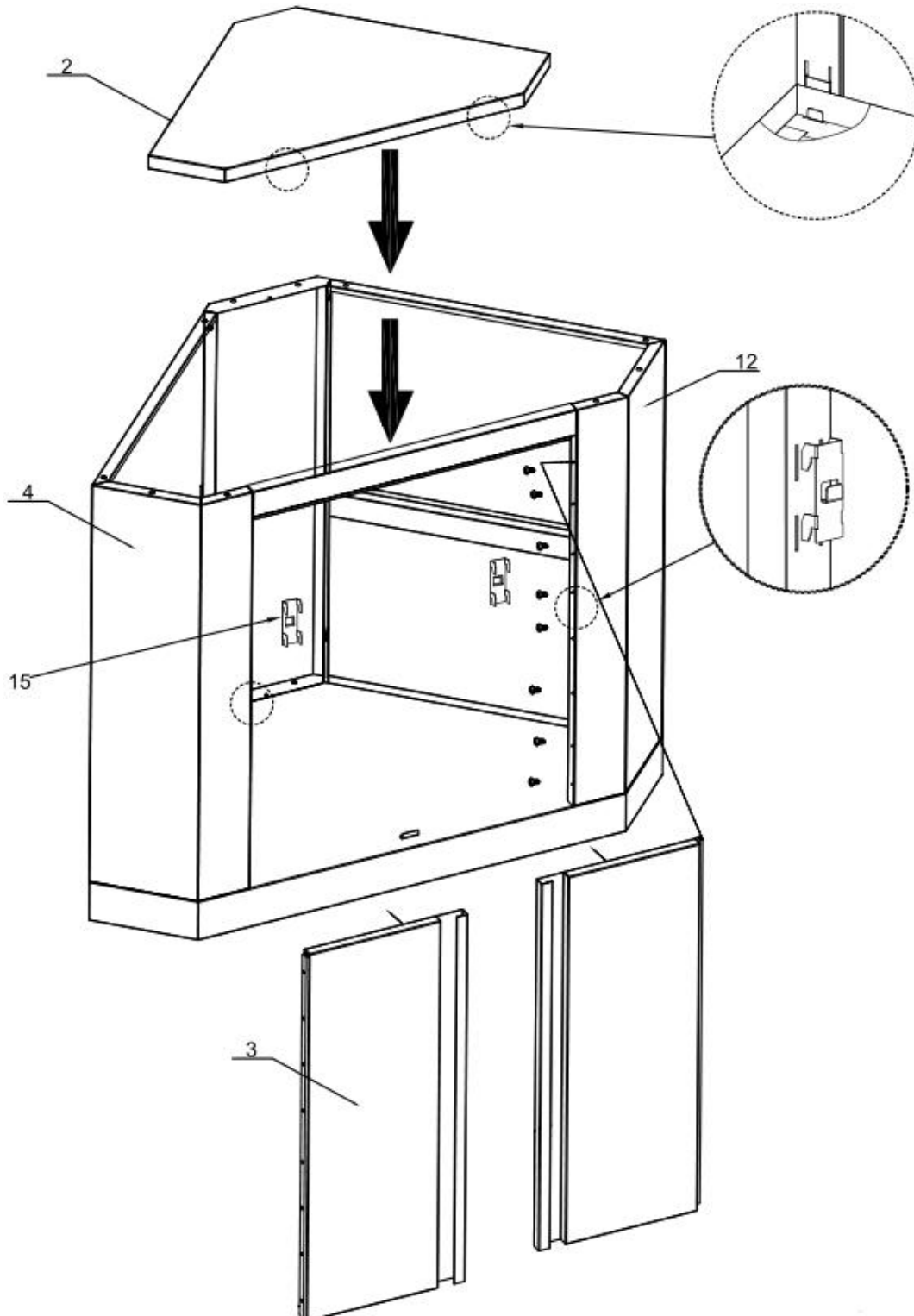
CABINET INSTALLATION: STEP 5

1. Using 4 pcs of the ¼" Philips Thumb Head Screw with Anti-slip Design (Part #17), attach the Beam Welding Assembly (Part #14) to Left Side Panel A Welding Assembly (Part #4) and Right Side Panel A Welding Assembly (Part #12). Do not fully tighten all the screws until all parts are correctly aligned.



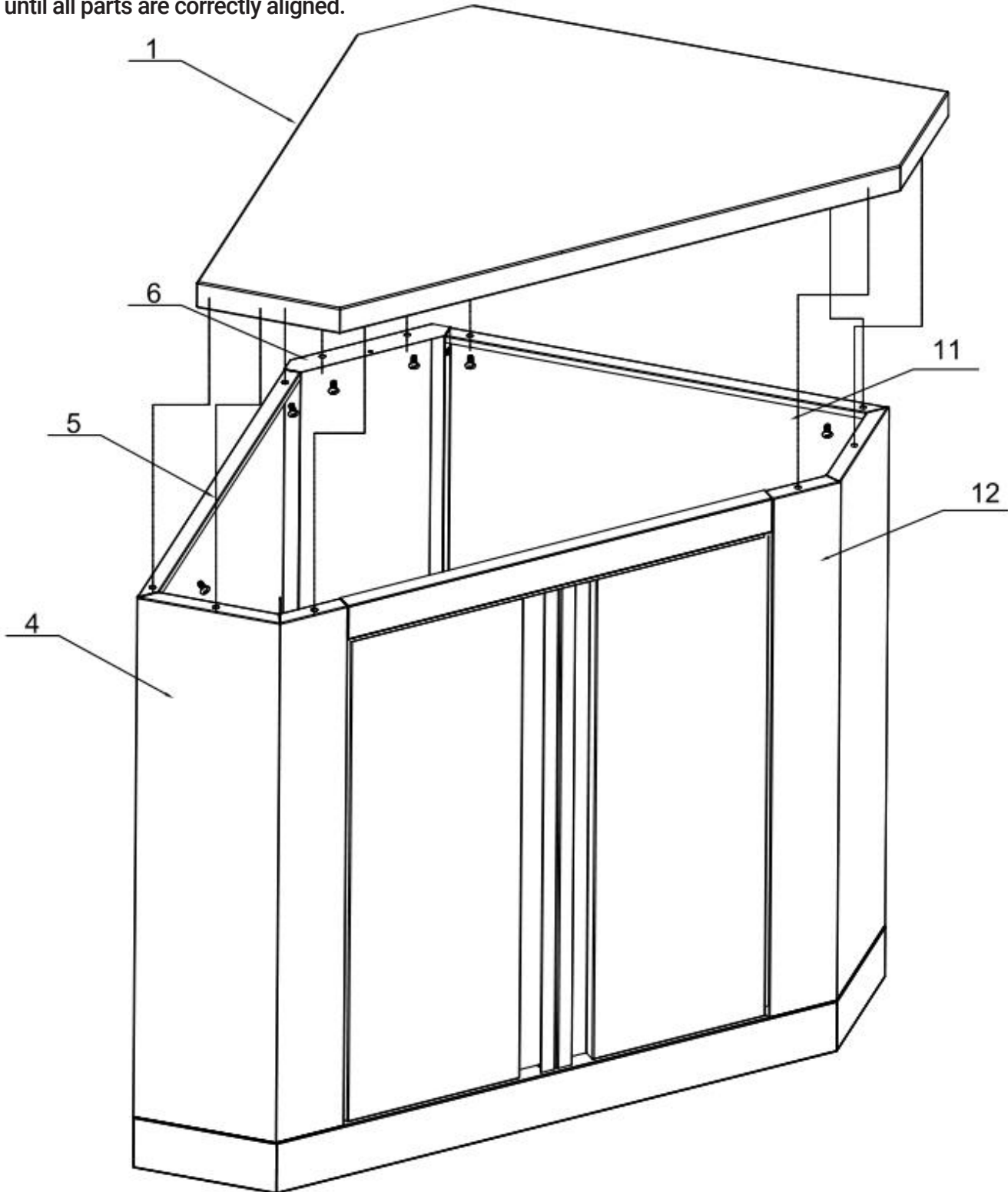
CABINET INSTALLATION: STEP 6

1. Install 2 pcs of Laminate Welding Holder (Part #15) to Left Side Panel A Welding Assembly (Part #4) and Right Side Panel A Welding Assembly (Part #12). Following this, place the Laminate Welding Assembly (Part #2) on top.
2. Use 16 pcs of the Flat Head Screw (Part #19) to attach the Door Welding Assembly (Part #3) to Left Side Panel A Welding Assembly (Part #4) and Right Side Panel A Welding Assembly (Part #12).
3. Do not fully tighten all the screws until all parts are correctly aligned.



CABINET INSTALLATION: STEP 7

1. Ensure that the Laminate Welding Assembly (Part #2) is installed inside the cabinet first.
2. Using 10 pcs of the ¼" Philips Thumb Head Screw with Anti-slip Design (Part #17), connect the Counter-top Welding Assembly (Part #1) with Left Side Panel A Welding Assembly (Part #4), Left Side Panel B Welding Assembly (Part #5), Front Panel Welding Assembly (Part #6), Right Side Panel B Welding Assembly (Part #11), and Right Side Panel A Welding Assembly (Part #12). Do not fully tighten all the screws until all parts are correctly aligned.



KOOLMORE OUTDOOR KITCHEN SYSTEM

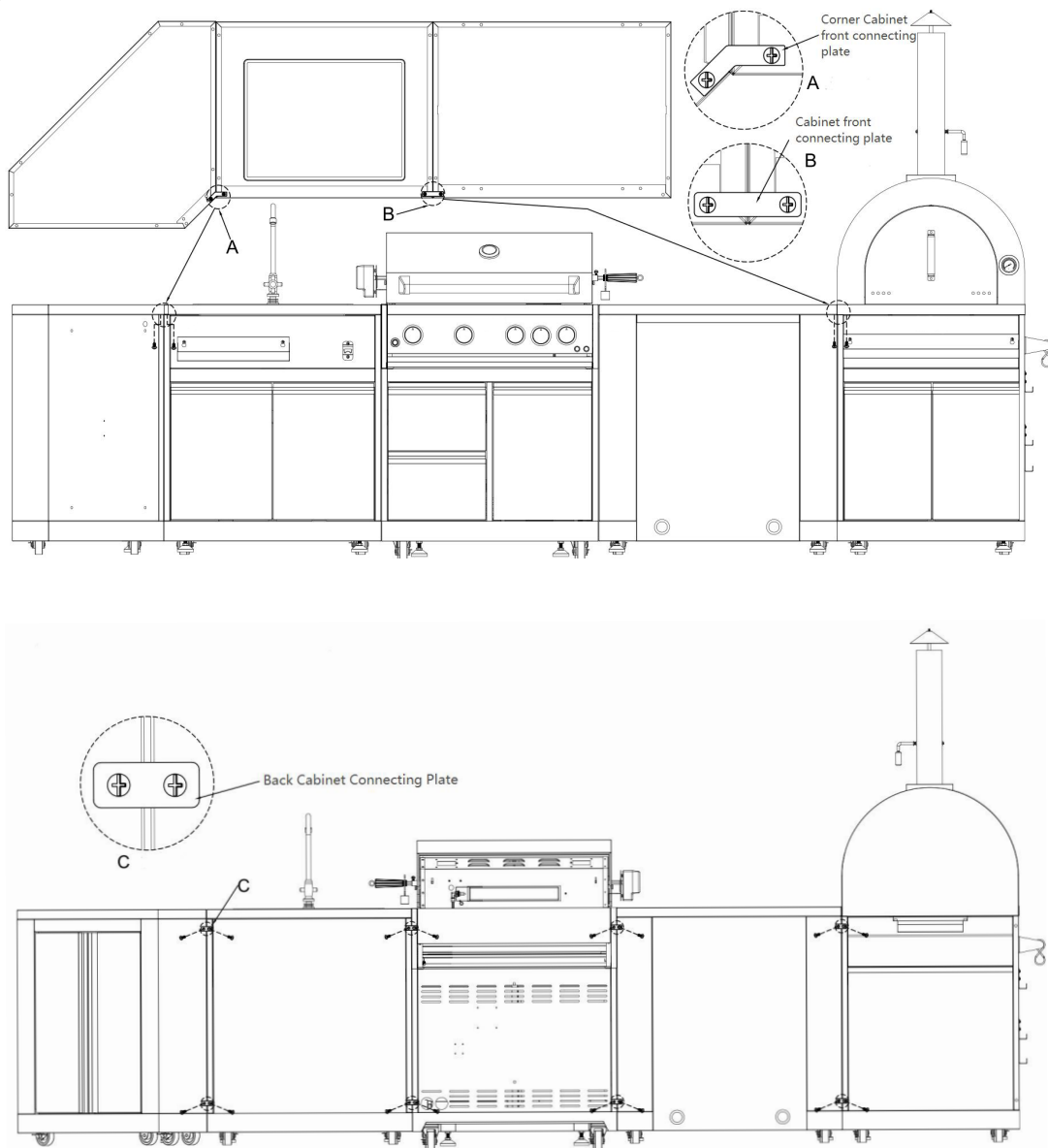
Your Outdoor Cabinet is designed to be modular and can be connected with any other models in our Outdoor Cabinet line.

Connecting With Another Cabinet

If you are pairing a Corner Cabinet with another cabinet, you can seamlessly connect them using the Corner Cabinet Front Connecting Plate (Part #21) and 2 pcs of the ¼" Philips Thumb Head Screw with Anti-slip Design (Part #17). This will provide a secure connection between both cabinets.

Similarly, if you have a Sink Cabinet, Appliance Cabinet, or Pizza Oven Cabinet, you can connect these to any other cabinet using the Cabinet Back Connecting Plate (Part #20) and 2 pcs of the ¼" Philips Thumb Head Screw with Anti-slip Design (Part #17).

These instructions enable you to customize your outdoor space with various cabinet combinations to suit your needs. Always ensure that all connections are secure and all parts are correctly aligned for a safe and sturdy setup.





WARRANTY

LIMITED WARRANTY

Koolmore Supply, Inc. extends a limited warranty to the original purchaser, guaranteeing that this Koolmore product is free from manufacturing defects in material or workmanship for one year from the date of purchase.

Should you discover any such defect within the warranty period, Koolmore Supply, Inc., reserves the right to repair or replace the product without charge, or to cover the cost of replacement parts and repair labor needed to correct defects present at the time of purchase or resulting from regular usage, when the appliance has been installed, operated, and maintained as per the instructions provided.

At its sole discretion, Koolmore Supply Inc. may decide to replace the product. In such an event, your replacement appliance will carry the warranty for the remaining term of the original unit's warranty period.

This warranty is valid exclusively to the original purchaser of the product and only applicable within the United States. The warranty commences from the date of original consumer purchase. Proof of the original purchase date will be required to obtain service under this warranty.

Under this limited warranty, your sole and exclusive remedy will be product repair, as outlined above. All services must be provided by a Koolmore-designated service company.

To claim warranty or request repair service:

Email support@koolmore.com. Please include your name, address, phone number, warranty repair request, and a copy of your proof of purchase receipt. Alternatively, visit koolmore.com and use the contact us page. A Koolmore customer service representative will promptly arrange service for your appliance.

We thank you for choosing Koolmore.

WARRANTY EXCLUSIONS

This limited warranty will not cover:

1. Failure of the product to perform during power failures or interruptions, or due to inadequate electrical service.
2. Damage incurred during transportation or handling.
3. Damage caused by accidents, vermin, lightning, winds, fire, floods, or acts of God.
4. Damage resulting from accidents, alterations, misuse, abuse, improper installation, repair, or maintenance. This includes using any external device that alters or converts the voltage or frequency of electricity.
5. Unauthorized product modifications, repairs by unauthorized centers, or use of non-approved replacement parts.
6. Abnormal cleaning and maintenance not aligned with the user's manual.
7. Use of incompatible accessories or components.
8. Any costs associated with repairs or replacements under these excluded circumstances shall be the responsibility of the consumer.

