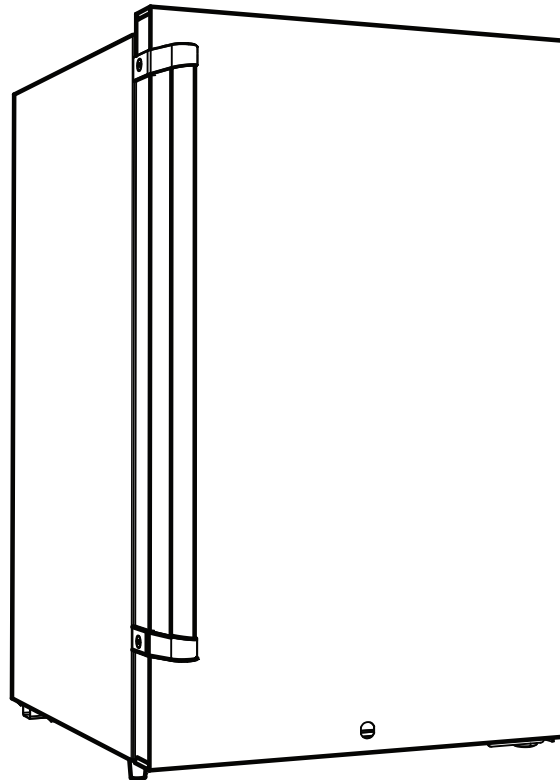


Outdoor Refrigerator

KoolMore Outdoor Refrigerator

Model: KM-OKS-OFRC-44SS



Before using, please read the operating instructions carefully to ensure proper application and achieve satisfactory results.

For any service-related issues, please contact us:



718-576-6342



support@koolmore.com

***Stay informed with the latest information
for your KoolMore Appliance.***

**If you need any assistance or have questions, our customer
support team is here to help.**

SAFETY

Intended Use

- This appliance is designed for commercial use and is not suited for those with limited physical, sensory, or mental capacities, or lacking experience and knowledge, unless they are under close supervision.
- Ideal for business environments, including staff kitchens in retail spaces, offices, farmhouses, hospitality sectors such as hotels and motels, and dining establishments.
- Grounding is a safety must to prevent electrical shock—ensure that the appliance is connected to a grounded outlet. If your outlet is not a 3-prong type, it must be upgraded. Refer to the serial rating plate for voltage and frequency specifications.

Danger

- There's a risk of fire or explosion due to the flammable refrigerant. Remember, no puncturing of refrigerant tubing.
- Steer clear of DIY defrosting methods not approved by the manufacturer.
- Always rely on factory-authorized service personnel for maintenance to avoid compromising safety or warranty terms.
- Damaged power cords are a serious no-go; get them replaced by a pro to prevent hazards.
- Consult the owner's manual and strictly follow all safety steps.
- Dispose of the appliance according to local and federal regulations.
- Handle flammable materials in the appliance with care to prevent fire risks.
- Watch for child entrapment hazards when disposing of an old unit—remove doors and ensure it's not a climbing hazard for kids.
- Avoid modifying the appliance with locks that could trap someone inside.

Warning

- Maintain clear airways for your appliance to function efficiently—don't block ventilation.
- Stick to manufacturer-recommended methods for speeding up defrosting.
- Protect the refrigerant circuit from damage.
- Do not use electrical appliances inside the food storage compartments of the appliance, unless they are of the type recommended by the manufacturer.
- Improper use of the grounding plug can result in a risk of electric shock. Consult a qualified electrician or service agent if the grounding instructions are not completely understood, or if doubt exists as to whether the appliance is properly grounded.

NOTE: Do not connect your appliance to extension cords or together with another appliance in the same wall outlet. Do not splice the power cord. Do not use any circumstance the power cord. Do not use extension cords or ungrounded (two prong) adapters.

CAUTION: Children should be supervised to ensure that they do not play with the appliance.

INSTALLATION

SETTING UP THE APPLIANCE

- Remove interior and exterior packaging prior to installation. Wipe the outside of the appliance with a cloth, dry cloth and the inside with a lukewarm wet cloth.
- Place the appliance on a floor that is strong enough to support it when it is fully loaded.
- Prolonged exposure to extreme heat or direct sunlight may adversely affect the performance of this unit. Please check the interior temperature and contents of this unit if extreme heat or sunlight are present for extended periods.
- This unit is suitable for outdoor use and is weather resistant. However, it is not waterproof. Do not use this unit near a swimming pool or hot tub.
- Before connecting the appliance to a power source, let it stand upright for approximately 8 hours. This will reduce the possibility of a malfunction in the cooling system from handling during transport.
- Allow 5 inches of space between the back, sides and top of the appliance and all adjacent walls. This appliance is intended for free-standing installation only and is not intended to be built into a cabinet or counter. Building in this appliance can cause it to malfunction.
- Extreme cold will affect the performance and reliability of this unit. Do not use this in environments that are below 32°F or less.

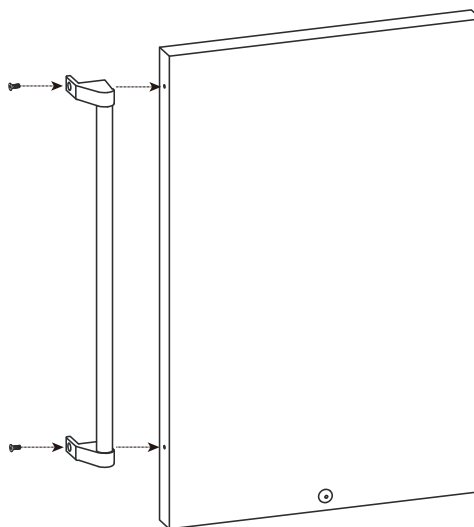
CAUTION: Ensure that the door is fully closed when the appliance is in operation. Failure to fully close the door can lead to excessive condensation and potential water damage to cooling under the appliance. Warrant will not be responsible for the damages from misuse.

The door handles is shipped inside the cabinet to avoid damage during shipping. It can be installed using the provided hex key and hexagon bolts found in the accessory bag.

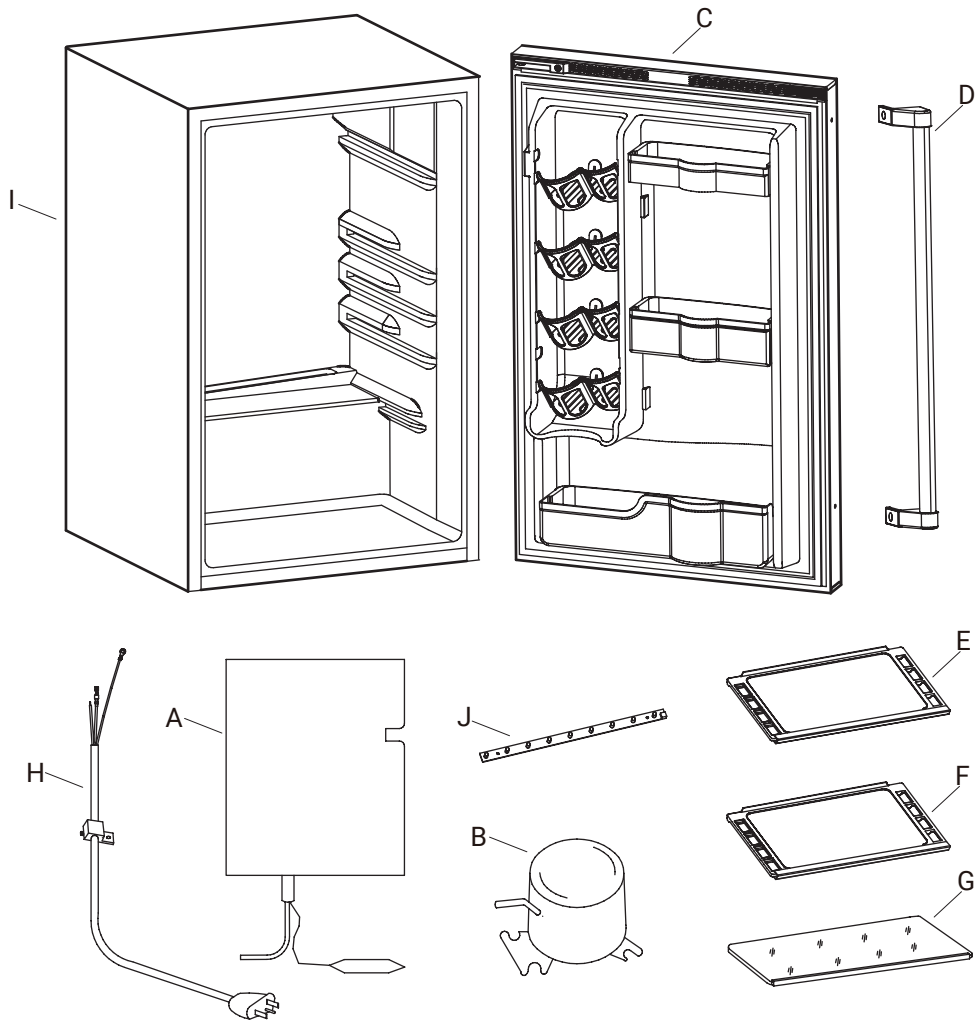
TOOLS REQUIRED



Phillips
screwdriver



PACKAGE CONTENTS



Part	Description
A	Evaporator
B	Compressor
C	Door
D	Handle
E	Top glass shelf
F	Middle glass shelf
G	Bottom glass shelf
H	Power plug
I	Cabinet
J	LED light

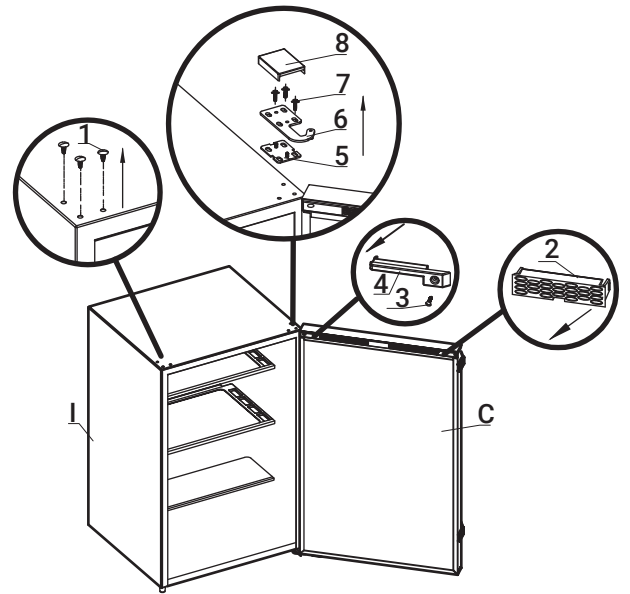
1. Removing hinge assembly

Remove the cabinet hole covers (1) from the top left side of the cabinet (B).

Remove the hinge cover (6), screws (7), upper door hinge (6) and upper hinge gasket (5) from the top right side of the cabinet (B).

Remove the door spindle cover (4) and screw (3) on the top left side of the door (C).

Remove the door hole cover (2) on the top right side of the door (C).



2. Switching handle location

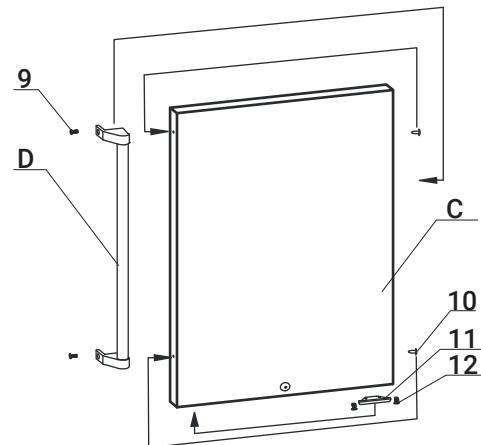
Remove the door (C) from the cabinet (B).

Remove the door hole covers (10) on right side of the door (C) and screws (9) on left side of the door (C).

Remove stop block (11) and screws (12) and install them on left bottom side of the door (C).

Install handle (D) on the right side of the door (C).

Cover left holes of the door with door hole covers (10).



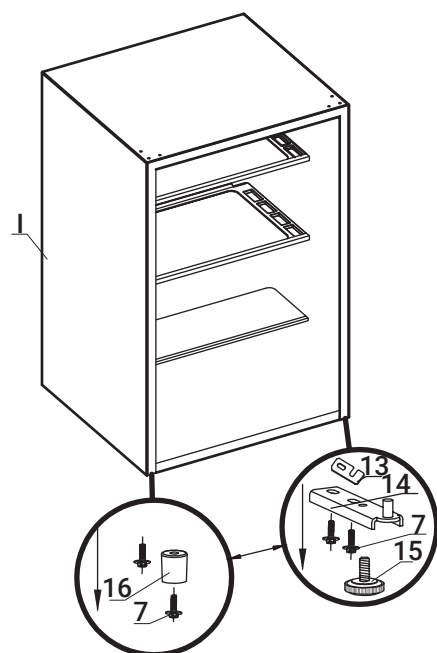
3. Switching the feet

Remove adjustable foot (15), screws (7) bottom side (14) and stop block (13) from the bottom right hinge of the cabinet (B).

Remove the fixed foot (14) and screws (7) from the bottom left side of the cabinet (B).

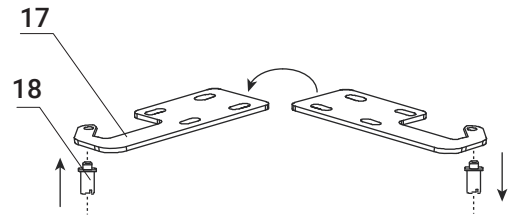
Install the bottom hinge (14) and all accessories on the bottom left side of the cabinet (B).

Exchange adjustable foot (15) and fixed foot (16) location and install.



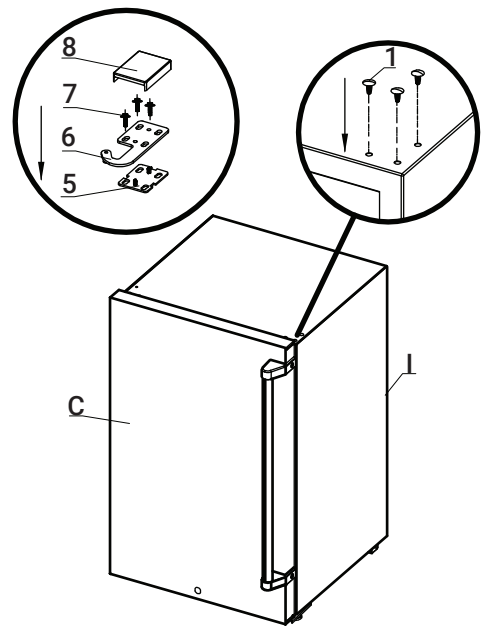
4. Removing the hinge pin

Remove the hinge pin (18) from the upper hinge (17). Flip the hinge over and reinstall the hinge pin on the other side.



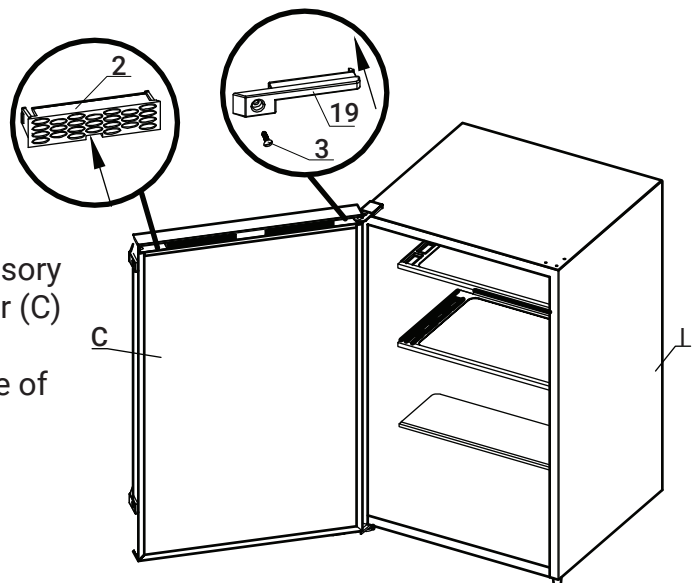
5. Installing the door

Install the door (C) onto the cabinet (B). Install the upper hinge gasket (5), upper hinge (6) and hinge cover (8) and fix by screws (7). Install the door hole covers (1).



6. Installing the door hole covers

Take the door spindle cover (19) from the accessory bag and install it on the top right side of the door (C) by screw (3). Install the door hole cover (2) on the top left side of the door (C).

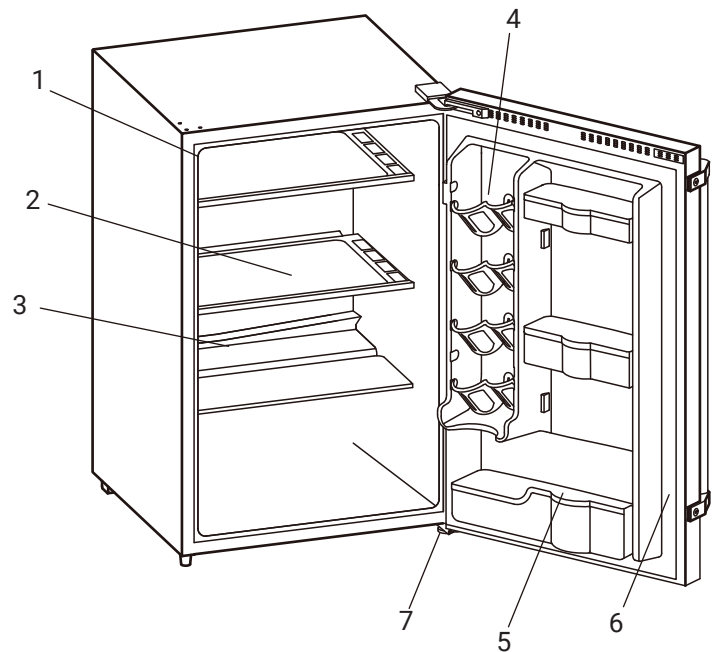


IMPORTANT: When reinstalling the door, ensure that the top of the door is level with the top of the cabinet and that the rubber gasket makes a good seal with the cabinet all the way around.

OPERATION

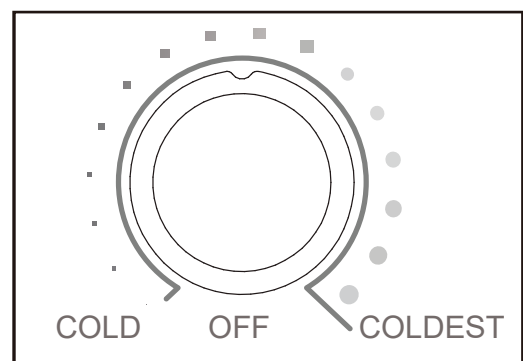
Appliance Features

1. Interior Light and Thermostat Dial: Temperature can be adjusted by turning the thermostat dial on the inner ceiling of the appliance.
2. Glass Shelves
3. Defrost Water Outlet: Ice that forms inside the appliance will automatically thaw and drain through this outlet.
4. CANSTOR™ Door Liner: Holds 355 ml cans of pop, juice, or beer.
5. Bottle Rack: For tall, small and medium cans or jars.
6. Magnetic Gasket: Tight fitting door seal keeps all the cooling power locked inside.
7. Adjustable Foot: Adjust so the unit is level.
8. Lock (not pictured): To prevent a child from becoming trapped, keep keys out of reach of children and not near the appliance.



Adjusting the temperature

- The temperature of the appliance can be adjusted by turning the thermostat dial.
- The larger dots indicate the coldest setting. The smaller dots indicate the warmest setting.
- The "OFF" position will turn off the cooling function.
- Internal temperature of the appliance can vary based on ambient temperature, the quantity of items stored and how frequently the door is opened.



MAINTENANCE

Vacation

- Short vacations: Leave the appliance or Secure the door with tape.
- Turn the adjustable foot up to the base to avoid damage.
- Protect the outside of the appliance with a blanket or similar item.
- Be sure the appliance stays in the upright position during transportation.
- Long vacations: If the appliance will not be used for several months, remove all items and turn off the appliance. Open and dry the interior thoroughly. To prevent odor and mold growth, leave the door open slightly, blocking it if necessary.

Moving

- Make sure the appliance is empty.
- Secure the shelves with tape.
- If the appliance is placed on its back or side during transportation, upon reaching the destination, allow it to remain upright for 6 hours before plugging in to avoid damage to internal components.

Disposal

- This appliance may not be treated as regular household waste, it should be taken to the appropriate waste collection point for recycling of electrical components. For information on local waste collection points, contact your local waste removal agency or government office.

Care and Cleaning

CLEANING

Ensure the appliance is unplugged before cleaning.

- To clean the inside of the appliance, use a soft cloth and a solution of a tablespoon of baking soda to one quart of water or a mild soap solution or some mild detergent.
- Wash removable shelves in a mild detergent solution, then dry and wipe with a soft cloth.
- Clean the outside with a soft, damp cloth and some mild detergent.
- It is important to keep the area clean where the door seals against the cabinet. Clean this area with a soapy cloth. Rinse with a damp cloth and let dry.

NOTE: Do not use cleaners containing ammonia or alcohol on the appliance. Ammonia or alcohol can damage the appearance of the appliance. Never use any commercial or abrasive cleaners or sharp objects on any part of the appliance.

POWER FAILURE

Most power failures are corrected within a few hours and should not affect the temperature of your appliance if you minimize the number of times the door is opened. If the power is going to be off for a longer period of time, take the proper steps to protect your contents.

NOTE: Wait 3 to 5 minutes before attempting to restart the refrigerator if operation has been

interrupted.

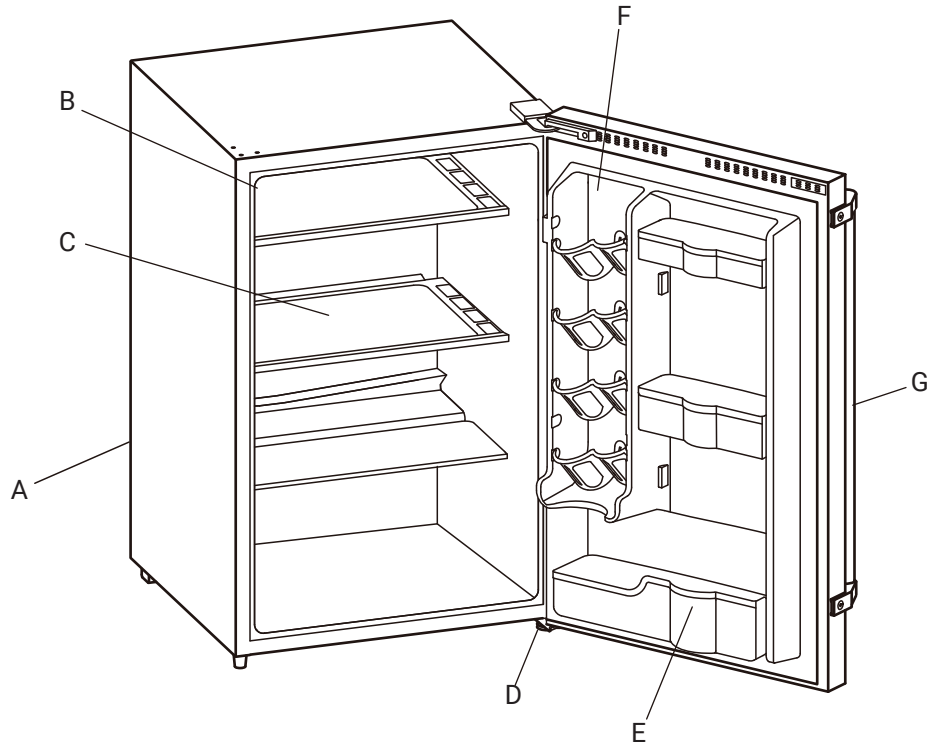
DEFROST

This appliance is equipped with an automatic defrost function and does not require manual defrosting. Defrost water from the appliance is channeled into a drip tray located above the compressor. Heat transfer from the compressor causes the defrost water to evaporate.

TROUBLESHOOTING GUIDE

Problems	Possible Causes	Solutions
No power.	A fuse may be blown or the circuit breaker tripped. Plug not fully inserted into the wall outlet.	Check both causes and plug in again.
Internal temperature not cold enough.	Temperature setting is too warm. The door is not shut properly or opened excessively. Recently added a large quantity of warm food to the cabinet. Close proximity to heat source or direct sunlight.	Check all causes and improve accordingly.
Refrigerator runs continuously.	Ambient temperature is too cold or very high. The door is not shut properly or opened excessively. Recently added a large quantity of warm food to the cabinet. Close proximity to heat source or direct sunlight.	Check all causes and improve accordingly.
Refrigerator makes a gurgling noise when operating.	This noise is completely normal. The refrigerant inside the appliance will make a gurgling noise as it changes from a liquid to a gas and back again.	/
What are the standard wattage and amps used?	/	This information can be found on the rating plate located on the back of the cabinet. Please refer to the energy guide.
How much does it cost to run?	/	/
The freezer?	/	/
Can I use an extension cord?	/	No, an extension cord may not be used.
How much?	/	/
How do I set the temperature?	If your thermostat dial has dots, the smaller dots indicate warmer temperatures and the larger dots indicate colder temperatures.	/

SERVICE PARTS



Part	Description	Quantity
A	Compressor	1
B	Thermostat	1
C	Glass shelf	2
D	Adjustable foot	1
E	Bottle bin	1
F	Can bin	1
G	Handle	1



WARRANTY

LIMITED WARRANTY

Koolmore Supply, Inc. extends a limited warranty to the original purchaser, guaranteeing that this Koolmore product is free from manufacturing defects in material or workmanship for one year from the date of purchase. Should you discover any such defect within the warranty period, Koolmore Supply, Inc., reserves the right to repair or replace the product without charge, or to cover the cost of replacement parts and repair labor needed to correct defects present at the time of purchase or resulting from regular usage, when the appliance has been installed, operated, and maintained as per the instructions provided. At its sole discretion, Koolmore Supply Inc. may decide to replace the product. In such an event, your replacement appliance will carry the warranty for the remaining term of the original unit's warranty period. This warranty is valid exclusively to the original purchaser of the product and only applicable within the United States. The warranty commences from the date of original consumer purchase. Proof of the original purchase date will be required to obtain service under this warranty. Under this limited warranty, your sole and exclusive remedy will be product repair, as outlined above. All services must be provided by a Koolmore-designated service company. To claim warranty or request repair service: Email support@koolmore.com. Please include your name, address, phone number, warranty repair request, and a copy of your proof of purchase receipt. Alternatively, visit koolmore.com and use the contact us page. A Koolmore customer service representative will promptly arrange service for your appliance. We thank you for choosing Koolmore.

WARRANTY EXCLUSIONS

This limited warranty will not cover:

1. Failure of the product to perform during power failures or interruptions, or due to inadequate electrical service.
2. Damage incurred during transportation or handling.
3. Damage caused by accidents, vermin, lightning, winds, fire, floods, or acts of God.
4. Damage resulting from accidents, alterations, misuse, abuse, improper installation, repair, or maintenance. This includes using any external device that alters or converts the voltage or frequency of electricity.
5. Unauthorized product modifications, repairs by unauthorized centers, or use of non-approved replacement parts.
6. Abnormal cleaning and maintenance not aligned with the user's manual.
7. Use of incompatible accessories or components.
8. Any costs associated with repairs or replacements under these excluded circumstances shall be the responsibility of the consumer.

