

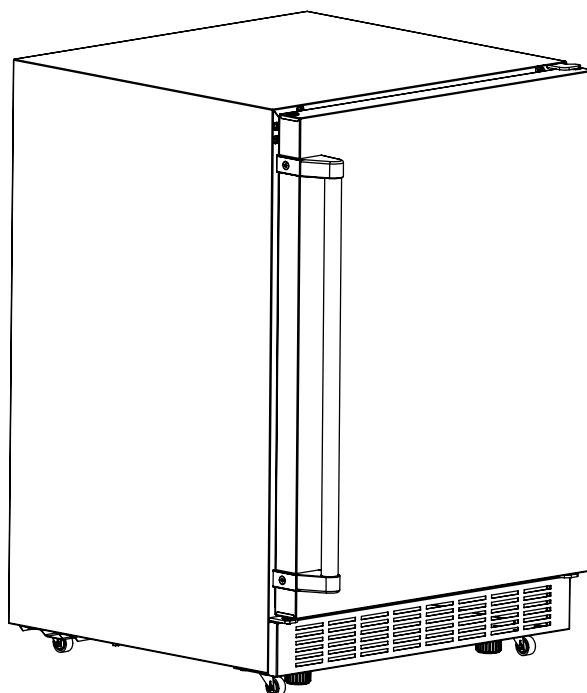


# USER MANUAL

REFRIGERATOR

## KoolMore 24" Outdoor Stainless Steel Refrigerator

Model: KM-OKS-OFRC-58SS



***Before using, please read the operating instructions carefully to ensure proper application and achieve satisfactory results.***

For any service-related issues, please contact us:



718-576-6342



support@koolmore.com

***Stay informed with the latest information  
for your KoolMore Appliance.***

**If you need any assistance or have questions, our customer  
support team is here to help.**

# Contents

Safety .....	4
Installation .....	6
Operation .....	7
Troubleshooting .....	10
Warranty .....	11

# SAFETY

**DANGER:** Risk of fire or explosion. Flammable refrigerant used. Do not puncture refrigerant tubing.

- Do not use mechanical devices to defrost refrigerator.
- Ensure that servicing is done by factory authorized service personnel, to minimize product damage or safety issues.
- If the power supply cord is damaged, it must be replaced by the manufacturer, its service agent or similar qualified person in order to avoid hazard.
- Consult repair manual or owner's guide before attempting to service this product. All safety precautions must be followed.
- Dispose of properly in accordance with federal or local regulations.
- Follow handling instructions carefully.
- Do not store explosive substances such as aerosol cans with a flammable propellant in this appliance.

**WARNING:** Keep ventilation openings, in the appliance enclosure or in the built-in structure, clear of obstruction.

**WARNING:** Do not use mechanical devices or other means to accelerate the defrosting process, other than those recommended by the manufacturer.

**WARNING:** Do not damage the refrigerant circuit.

**WARNING:** Do not use electrical appliances inside the food storage compartments of the appliance, unless they are of the type recommended by the manufacturer.

**CAUTION:** Children should be supervised to ensure that they do not play with the appliance.

**DANGER:** Risk of child entrapment. Before throwing away an old appliance:

- Remove the door or lid.
- Leave shelves in place so that children may not easily climb inside.

**DANGER:** Do not add a lock to the door or lid. This can cause child entrapment and harm.

## SAFETY REQUIREMENTS

This appliance is not intended for use by persons (including children) whose physical, sensory or mental capabilities may be different or reduced, or who lack experience or knowledge, unless such persons receive supervision or training to operate the appliance by a person responsible for their safety.

This appliance is intended to be used in household and similar applications such as:

- Staff kitchen areas in shops, offices and other working environments;
- Farm houses and by clients in hotels, motels and other residential type environments;
- Bed and breakfast type environments;
- Catering and similar non-retail applications.

## **GROUNDING INSTRUCTIONS**

This appliance must be grounded. Grounding reduces the risk of electrical shock by providing an escape wire for the electrical current.

This appliance has a cord that has a grounding wire with a 3-prong plug. The power cord must be plugged into an outlet that is properly grounded. If the outlet is a 2-prong wall outlet, it must be replaced with a properly grounded 3-prong wall outlet. The serial rating plate indicates the voltage and frequency the appliance is designed for.

**WARNING** - Improper use of the grounding plug can result in a risk of electric shock.

- Consult a qualified electrician or service agent if the grounding instructions are not completely understood, or if doubt exists as to whether the appliance is properly grounded.
- Do not connect your appliance to extension cords or together with another appliance in the same wall outlet.
- Do not splice the power cord.
- Do not under any circumstances cut or remove the third ground prong from the power cord.
- Do not use extension cords or ungrounded (two prongs) adapters.
- Necessity to allow disconnection of the appliance from the supply after installation.
- The disconnection may be achieved by having the plug accessible or by incorporating a switch in the fixed wiring in accordance with the wiring rules.

# INSTALLATION

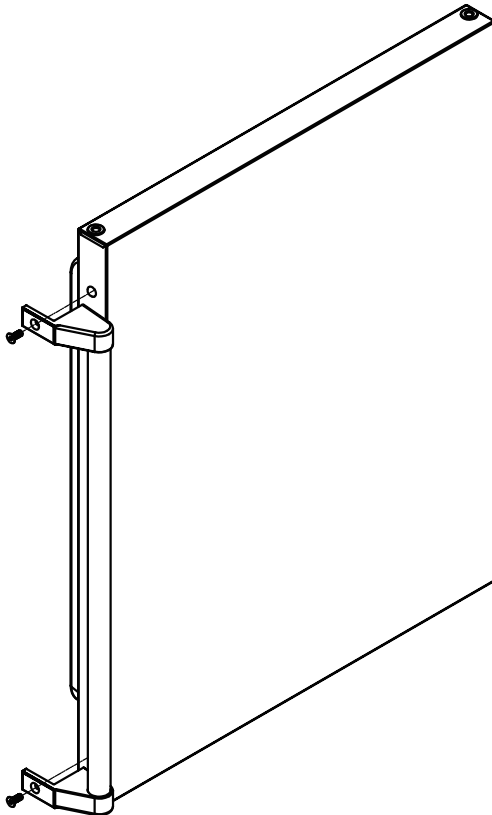
## LOCATION

1. Two people should be used when moving the appliance.
2. Remove interior and exterior packaging prior to installation. Wipe the outside of the appliance with a soft, dry cloth and the inside with a lukewarm wet cloth.
3. Place the appliance on a floor that is strong enough to support it when it is fully loaded.
4. Do not place the appliance in direct sunlight or near sources of heat, such as a stove or heater, as this can increase electrical consumption. Extreme cold ambient temperatures may also cause the appliance to perform improperly.
5. This appliance is suitable for outdoor use and is weather resistant.
6. Before connecting the appliance to a power source, let it stand upright for approximately 6 hours. This will reduce the possibility of a malfunction in the cooling system from handling during transportation.
7. This appliance is 23.8 inches wide, 35.2 inches high and 24.13 inches deep excluding the handle.

## HANDLE INSTALLATION

The door handle will be fixed inside the cabinet to avoid damage during shipping. It can be installed using the provided hex key and hexagon bolts found in the accessory bag.

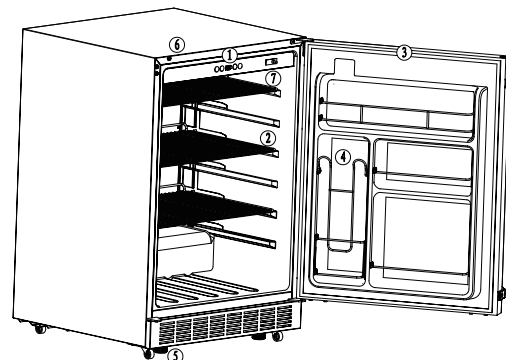
Make sure that the door is fully closed when the appliance is in operation.



# OPERATION

## FEATURES

1. Digital display and controller: Display and set the temperature inside.
2. Wire shelves.
3. Door gasket
4. Bottle shelf: Holds 355ml cans of pop, juice, or beer.
5. Leveling Legs: Adjust to level the appliance.
6. Interior Light (not shown): Blue LED light
7. Light switch: Automatically turn on the light when opening the door and turn off the light when closing the door.



## Control Panel

1. Lock button: Press and hold for 3 seconds to lock the control panel. No buttons can be pressed while the control panel is locked. Press and hold the lock button for 3 seconds to unlock the control panel.
2. C°/F° Button: Press to change the temperature display between C° and F°.
3. Temperature display: Shows the set temperature.
4. Up and Down buttons: Adjust the temperature in 1° increments.

## Function Instruction

Press the C° / F° button to change between the C° / F°. The default temperature setting is 41 F° (5 C°). The min temperature is 32 F°, and the max temperature is 50 F°. The actual temperature inside is based on ambient temperature, how often the door is opened and how many warm bottles have recently been added to the appliance.



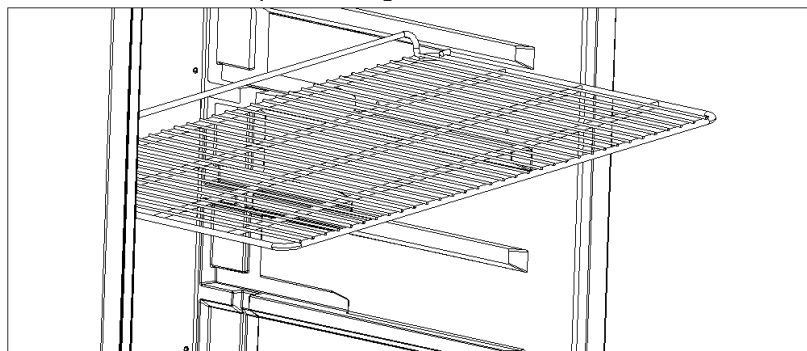
## Interior light

The light will be automatically turned on when open the door and will be automatically turned off when close the door. And the light will be automatically turned off if the door is opening for more than 10 minutes.

## Shelf installation

Place the shelf between two floors and push it in at a 7° inclination angle. Until you can't push it in any more, lay it flat down until it is parallel.

Note: Do not push the shelf into the interior at a parallel angle, which will scratch the liner.



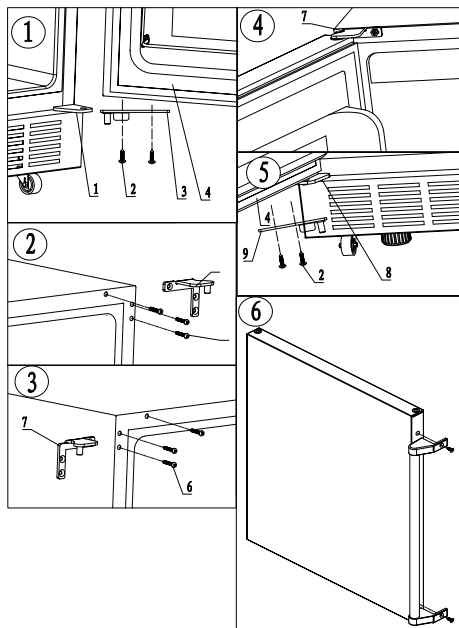
## Door Reversal Instructions

If the appliance is placed on its back or side for any length of time it must be allowed to remain upright for 6 hours before plugging in to avoid damage to internal components.

1. Remove the two screws that secure the right hinge axis to the lower right hinge. Slide the door outward from the bottom to remove it from the upper right hinge.
2. Remove the upper right hinge from the cabinet.
3. Remove the screw hole covers from the upper left side of the cabinet and install the upper left hinge. Place the screw hole covers in the screw holes on the upper right side of the cabinet.
4. Remove the hinge hole cover from the upper left side of the door and place it in the hinge hole on the upper right side of the door. Install the door on the upper left hinge.
5. Slide the bottom of the door toward the unit to line it up with the lower left hinge. Install the left hinge axis to secure the door to the lower left hinge.
6. Loosen the screw on the side of the handle using the provided hexagon spanner. Remove the handle. Install the handle on the right side of the door using the same screws.

Note: Before tightening the screws to secure the hinge axis, ensure that the top of the door is level with the top of the cabinet, that the actuator on the bottom of the door is making contact with the switch on the cabinet and that the rubber gasket is making a good seal with the cabinet all the way around.

1. Lower right hinge
2. Axis screws
3. Right hinge axis
4. Door
5. Upper right hinge
6. Hinge screws
7. Upper left hinge
8. Lower left hinge
9. Left hinge axis



## Storage instruction

The maximum capacity of this appliance is 145 (355 ml) beverage bottle. This will allow for the storage of thirty-five 355ml bottles on each shelf and twenty-one bottles on the bottom for a total storage capacity of 125 bottles. And there is still room for 20 bottles on the door.

## Defrost

This unit is equipped with an automatic defrost function and does not require manual defrosting. Defrost water from the appliance will flow into a drip tray which will be evaporated by the compressor.

## Power failure

Most power failures can be corrected within a few hours and will not affect the inside temperature if you minimize the door opening times. If the power is off for a long time, take the proper steps to protect your contents.

Note: Wait 3 to 5 minutes before attempting to restart the appliance if operation has been interrupted.



## **Vacation**

Short vacations: Leave the appliance operating during vacations of less than three weeks.

Long vacations: If the appliance will not be used for several months, remove all items and turn off the appliance. Clean and dry the interior thoroughly. To prevent odor and mold growth, leave the door open slightly, blocking it open if necessary.

## **Cleaning**

Ensure the appliance is unplugged before cleaning.

To clean the inside of the appliance, use a soft cloth and a solution of a tablespoon of baking soda to one quart of water or a mild soap solution or some mild detergent.

Wash removable shelves in a mild detergent solution, then dry and wipe with a soft cloth.

Clean the outside with a soft, damp cloth and some mild detergent.

It is important to keep the area clean where the door seals against the cabinet. Clean this area with a soapy cloth. Rinse with a damp cloth and let dry.

Note: Do not use cleaners containing ammonia or alcohol on the appliance. Ammonia or alcohol can damage the appearance of the appliance. Never use any commercial or abrasive cleaners or sharp objects on any part of the appliance.

## **Moving**

Make sure the appliance is empty.

Secure the shelves with tape.

Secure the door with tape.

Turn the adjustable foot up to the base to avoid damage.

Protect the outside of the appliance with a blanket or similar item.

Be sure the appliance stays in the upright position during transportation.

## **Disposal**

This appliance may not be treated as regular household waste. It should be taken to the appropriate waste collection point for recycling of electrical components. For information on local waste collection points, contact your local waste removal agency or government office

# TROUBLESHOOTING

## No power

- A fuse may be blown or the circuit breaker tripped.
- Plug not fully inserted into the wall outlet.

## Internal temperature not cold enough

### Appliance runs continuously

- Door is not shut properly or opened excessively.
- Exhaust vent is obstructed.
- Recently added a large quantity of warm bottles to the cabinet.
- Close proximity to heat source or direct sunlight.
- Ambient temperature or humidity is very high.
- Possible system leak, evaporator fan failure or compressor failure.

### Condensation on the cabinet or door

- Door is not shut properly or opened excessively
- Ambient temperature or humidity is very high

## ERROR CODES

**C0** - Control system communication fault

**E1** - Interior sensor fault

**E2** - Defrost sensor fault

**dr** - The door is not completely closed

**EH** - High temperature alarm

**EL** - Low temperature alarm

*If error codes appear on the display for more than 5 minutes, a power reset may rectify the issue. Unplug the appliance, wait 5 minutes and then replug the appliance. If the error code persists after a power reset, please contact after sale service for a further assistance.*



# WARRANTY

## LIMITED WARRANTY

Koolmore Supply, Inc. extends a limited warranty to the original purchaser, guaranteeing that this Koolmore product is free from manufacturing defects in material or workmanship for one year from the date of purchase.

Should you discover any such defect within the warranty period, Koolmore Supply, Inc., reserves the right to repair or replace the product without charge, or to cover the cost of replacement parts and repair labor needed to correct defects present at the time of purchase or resulting from regular usage, when the appliance has been installed, operated, and maintained as per the instructions provided.

At its sole discretion, Koolmore Supply Inc. may decide to replace the product. In such an event, your replacement

appliance will carry the warranty for the remaining term of the original unit's warranty period.

This warranty is valid exclusively to the original purchaser of the product and only applicable within the United States. The warranty commences from the date of original consumer purchase. Proof of the original purchase date will be required to obtain service under this warranty.

Under this limited warranty, your sole and exclusive remedy will be product repair, as outlined above. All services must be provided by a Koolmore-designated service company.

To claim warranty or request repair service:

Email [support@koolmore.com](mailto:support@koolmore.com). Please include your name, address, phone number, warranty repair request, and a copy of your proof of purchase receipt. Alternatively, visit [koolmore.com](http://koolmore.com) and use the contact us page. A Koolmore customer service representative will promptly arrange service for your appliance.

We thank you for choosing Koolmore.

## WARRANTY EXCLUSIONS

---

This limited warranty will not cover:

1. Failure of the product to perform during power failures or interruptions, or due to inadequate electrical service.
2. Damage incurred during transportation or handling.
3. Damage caused by accidents, vermin, lightning, winds, fire, floods, or acts of God.
4. Damage resulting from accidents, alterations, misuse, abuse, improper installation, repair, or maintenance. This includes using any external device that alters or converts the voltage or frequency of electricity.
5. Unauthorized product modifications, repairs by unauthorized centers, or use of non-approved replacement parts.
6. Abnormal cleaning and maintenance not aligned with the user's manual.
7. Use of incompatible accessories or components.
8. Any costs associated with repairs or replacements under these excluded circumstances shall be the responsibility of the consumer.

