



# SPEC SHEET

## KoolMore 15 cu. ft. Medical Pharmacy Refrigerator with Multi-Level Emergency Alarms in White, UL Listed

Model: KM-PHR-15C

### FEATURES

- Pharmacy Refrigerator
- Built-In 24-Hour Backup Battery for Alarm and Data Logging (12V)
- Adjustable Storage Shelves
- Digital Temperature Control
- Digital Humidity Display
- Electric-Heated Glass Door
- Automatic Defrost
- Refrigerant Type: R600a
- UL Certifications



### CLOSE UP IMAGES



# TECHNICAL SPECS

## Dimensions

Length	25.7
Width	27.1
Height	75.6
Interior Depth	20.2
Interior Width	23.4
Interior Height	52.8
Depth Less Door	25.7
Depth With Door Open 90 Degrees	50.7
Power Cord Length	66.9
Weight (lbs)	194

## Capacity

Net Cubic Feet	15
Individual Shelf Capacity	77 Lbs

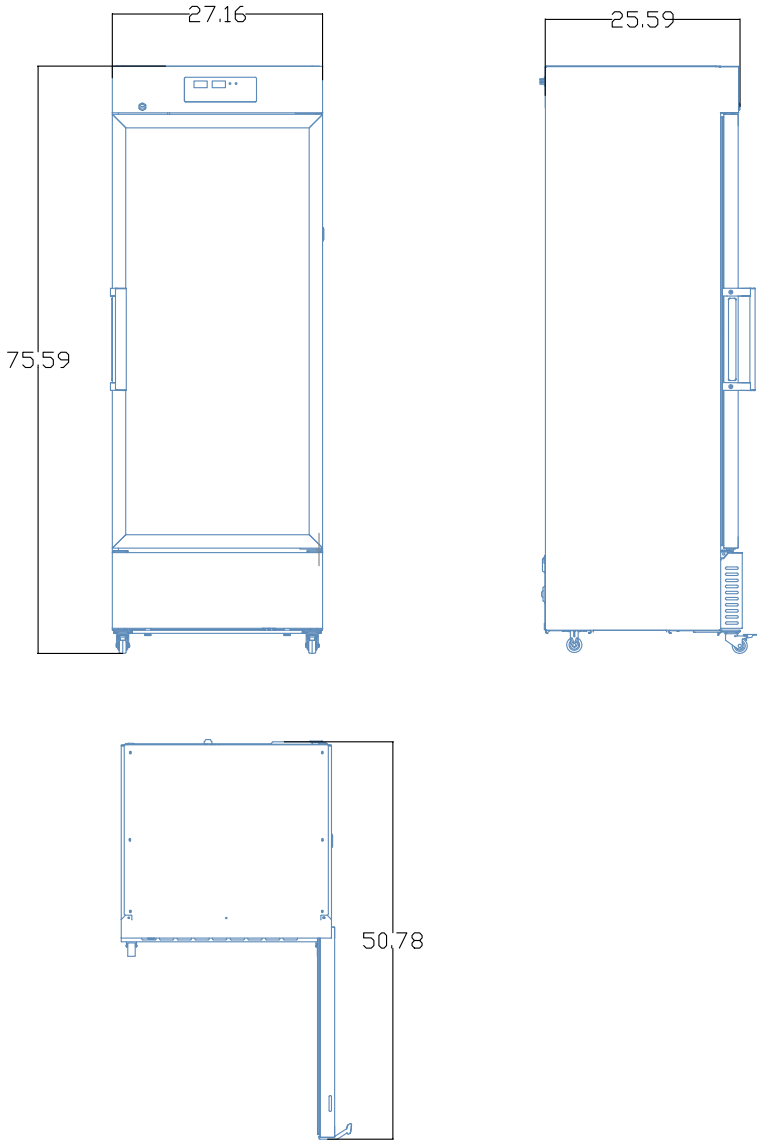
## Features & Materials

Defrost Type	AUTO
Refrigerant Type	R600a
Digital LED Display	Yes
Digital Humidity Display	Yes
Electrical Heating Door	Yes
Number of Doors	1
Door Style	GLASS <input type="checkbox"/> Electric heating door <input type="checkbox"/>
Number of Shelves	5
Shelves Adjustable	Yes
Shelf Material Type	Steel wire
Temperature Range	35.6-46.4
Ambient Temperature Range	50-89.6
Top Cooling Technology	Yes
Built-In Air Duct	Yes
Backup Battery Hours	24H
Backup Battery Type	LEAD-ACID
Backup Battery Replaceable	Yes
Backup Battery Rechargeable	Y TURN ON THE BATTERY SWITCH AND ACTIVATE THE BUIL
Backup Battery Voltage	12V
Backup Battery Capacity	1.4AH
Data Logging	Yes
USB Port	Yes
Safety Lock	Yes
Low Temp Alarm	Yes
High Temp Alarm	Yes
Ambient Temp Alarm	Yes
Power Failure Alarm	Yes
Sensor Failure Alarm	Yes
Door Ajar Alarm	Yes
Remote Alarm	NO
Sensor Count	6
Color Finish	white
Color Door Handles	Silver

## Electric & Certifications

Amps	3
Plug Type	UL bent plug
Voltage	115
Wattage	260
Certifications	UL Listed

# Plan View



**CERTIFICATIONS**



706 Eastern Parkway STE 1G, Brooklyn NY 11213  
718-576-6342  
info@koolmore.com