



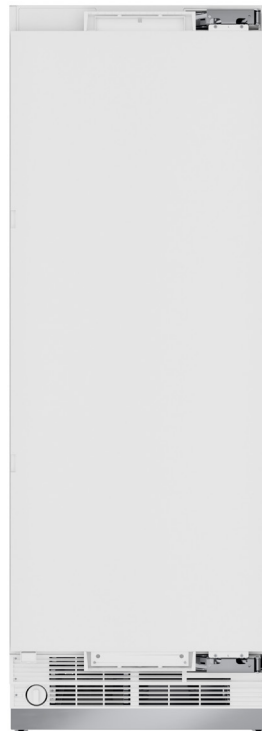
SPEC SHEET

KoolMore Reserve Panel Ready 30 In. Refrigerator Column with 16.6 Cu. Ft. Capacity, Water Dispenser, Frost Free, Energy Star

Model: KM-PRC-R30

FEATURES

- **Panel-Ready Design:** The customizable panel-ready front allows you to seamlessly match your kitchen cabinetry, creating a clean, modern, and built-in aesthetic that enhances your kitchen's overall style.
- **Generous Storage Capacity:** Offers 16.6 cu. ft. of organized storage with three adjustable glass shelves that hold up to 55 lbs. each, four soft-close drawers with durable plastic and metal trim, and three spacious door bins, perfect for all your frozen essentials.
- **Integrated Water Dispenser:** Conveniently located on the interior left side, the water dispenser provides fresh, filtered water at your fingertips.
- **Frost-Free Cooling System:** Advanced frost-free technology eliminates the need for manual defrosting, maintaining consistent temperatures between 30°F and 46°F for optimal food preservation.
- **User-Friendly Digital Controls:** The center-mounted digital thermostat offers precise temperature adjustments and easy monitoring, allowing you to maintain optimal cooling conditions for different.
- **Energy Efficient and Quiet Operation:** ENERGY STAR certified to reduce energy consumption. This unit operates at a low noise level of 41 dB, making it perfect for quiet home environments.
- **Enhanced Convenience Features:** Sabbath mode for observant households, a door-ajar alarm to prevent temperature loss, and bright LED lighting with illumination from the top, sides, and bottom drawers for easy visibility.



CLOSE UP IMAGES



Technical Specs

Dimensions & Weight

Height	83.58 in.
Length	29.76 in.
Width	23.31 in.
Weight lbs.	377 lbs.
Interior Height	67.32 in.
Interior Depth	18.9 in.
Interior Width	25.98 in.
Depth Less Door	21.87 in.
Depth With Door Open 90 Degrees	55.56 in.
Cutout Dimensions	30x25x84 in.
Panel Dimensions	29.76x.75x79.92 in.
Minimum Back Air Clearance In.	Not Required
Minimum Side Air Clearance In.	Not Required
Legs Adjustable	Yes, .25-1.5 in.

Electric & Certifications

Wattage	160
Voltage	110
Amps	2
Hertz	60
Phase	2
Power Cord Included	Yes
Plug Type	NEMA 5-15P
Power Cord Length	90 in.
Energy Star	Yes
Energy Consumption KWH/Year	325
Certifications	ETL Listed for Safety and AB100

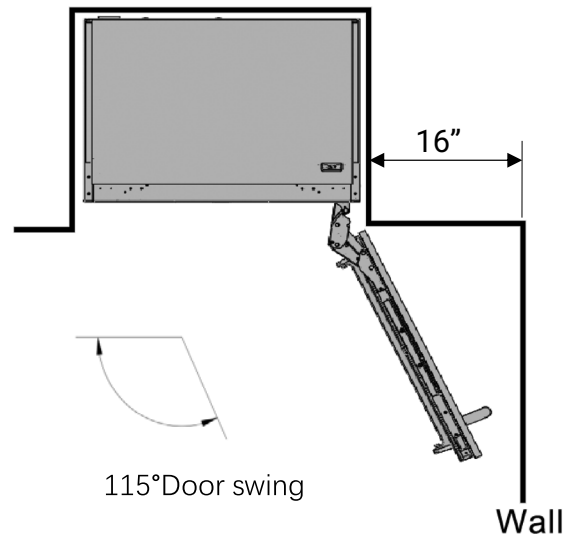
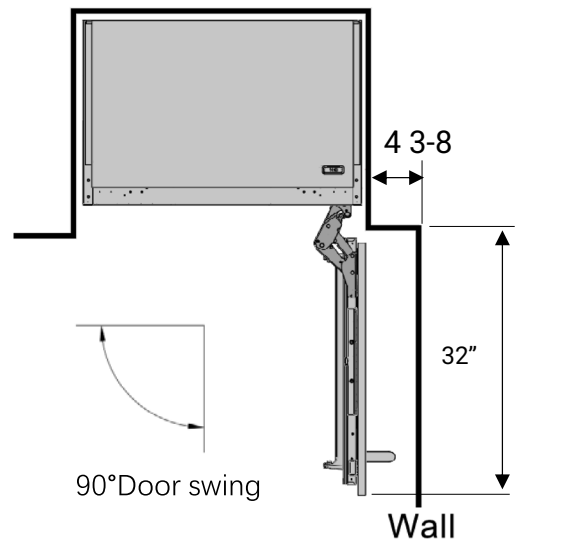
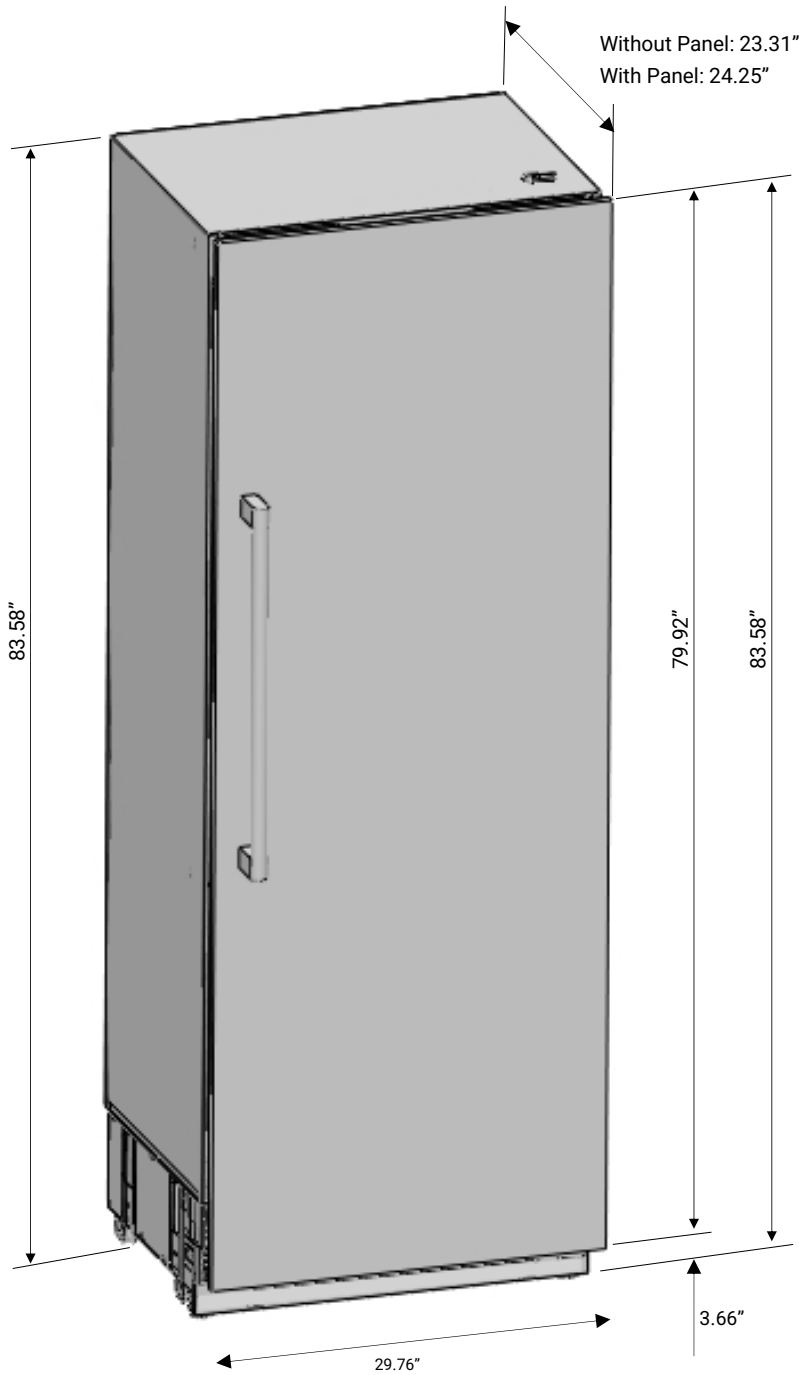
Capacity

Gross Cubic Feet	16.6
Net Cubic Feet	16.6
Individual Shelf Capacity	55 lbs.
Number of Shelves	4
Number of Drawers	4
Number of Door Bins	3

Features & Materials

Temperature Range	30-46°F
Ambient Temperature Range	50-109°F
Temperature Control Type	Digital
Control Location	Center of Interior
Defrost Type	Frost Free
Cooling Unit Type	Automatic
Refrigerant Type	R-600a
Horsepower	1
Door Ajar Alarm	Yes
Noise	41 dB
Counter Depth	Yes
Number of Doors	1
Handle Included	No
Safety Lock	No
Gallon Size Bin	Yes
Sabbath Mode	Yes
Shelf Material Type	Glass
Shelves Adjustable	Yes
Door Style	Swing
Reversible Doors	Yes
Drawer Slide Type	Soft Close
Installation Type	Built-In
Finish Type	Panel Ready
Commercial Residential	Residential
Interior Color	White
Color Finish	White
Interior Drawer Material	Plastic + Metal Trim
Light Type	LED
Light Brightness	6000K-7000K
Interior Lights Location	Top and Side. 1 Drawer Lights
Exterior Material	VCM
Interior Material	PS
Water Dispenser	Yes
Water Dispenser Location	Left Side of Interior
Ice Maker	No
Water Pressure	1-5.5 bars
Diameter of Water Line Connection	0.25
Number of Legs	4
Air Filter	No
Compressor Location	Bottom

Plan View



718-576-6342
info@koolmore.com





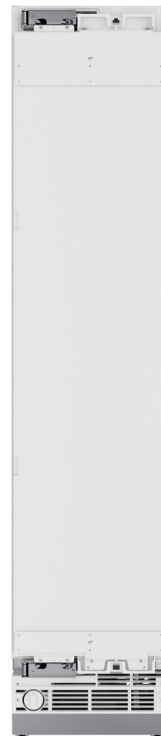
SPEC SHEET

KoolMore Reserve 18 In. Panel Ready Freezer Column with 8.6 Cu. Ft. Capacity, Ice Maker, Frost Free, Energy Star

Model: KM-PRC-F18

FEATURES

- **Panel-Ready Design:** The customizable panel-ready front allows you to seamlessly match your kitchen cabinetry, creating a clean, modern, and built-in aesthetic that enhances your kitchen's overall style.
- **Generous Storage Capacity:** Offers 8.6 cu. ft. of organized storage with three adjustable glass shelves that hold up to 55 lbs. each, four soft-close drawers with durable plastic and metal trim, and three spacious door bins, perfect for all your frozen essentials.
- **Automatic Ice Maker:** Equipped with a built-in crescent ice maker that produces up to 3.9 lbs. of ice daily and stores up to 5.5 lbs., ensuring you always have fresh ice ready for drinks or entertaining.
- **Frost-Free Cooling System:** Advanced frost-free technology eliminates the need for manual defrosting, maintaining consistent temperatures between -11°F and 7°F for optimal food preservation.
- **User-Friendly Digital Controls:** The center-mounted digital thermostat offers precise and intuitive temperature control, allowing you to monitor and adjust the internal temperature with ease.
- **Energy Efficient and Quiet Operation:** ENERGY STAR certified to reduce energy consumption. This unit operates at a low noise level of 41 dB, making it perfect for quiet home environments.
- **Enhanced Convenience Features:** Sabbath mode for observant households, a door-ajar alarm to prevent temperature loss, and bright LED lighting with illumination from the top, sides, and bottom drawers for easy visibility.



CLOSE UP IMAGES



Technical Specs

Dimensions & Weight

Height	83.58 in.
Length	17.76 in.
Width	23.31 in.
Weight lbs.	210 lbs.
Interior Height	67.32 in.
Interior Depth	18.9 in.
Interior Width	13.98 in.
Depth Less Door	21.87 in.
Depth With Door Open 90 Degrees	43.45 in.
Cutout Dimensions	18x25x84 in.
Panel Dimensions	17.76x.75x79.92 in.
Minimum Back Air Clearance In.	Not Required
Minimum Side Air Clearance In.	Not Required
Legs Adjustable	Yes, .25-1.5 in.

Electric & Certifications

Wattage	160
Voltage	110
Amps	2
Hertz	60
Phase	2
Power Cord Included	Yes
Plug Type	NEMA 5-15P
Power Cord Length	90 in.
Energy Star	Yes
Energy Consumption KWH/Year	452
Certifications	ETL Listed for Safety and AB100

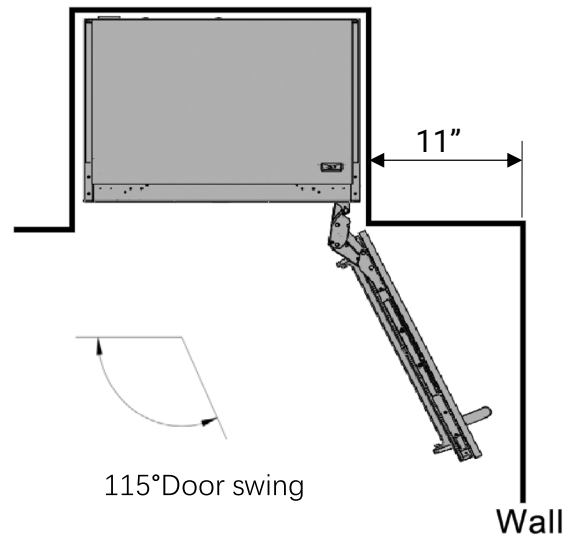
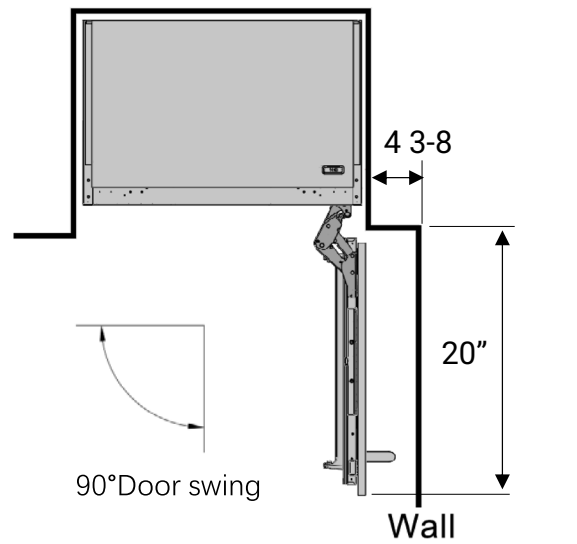
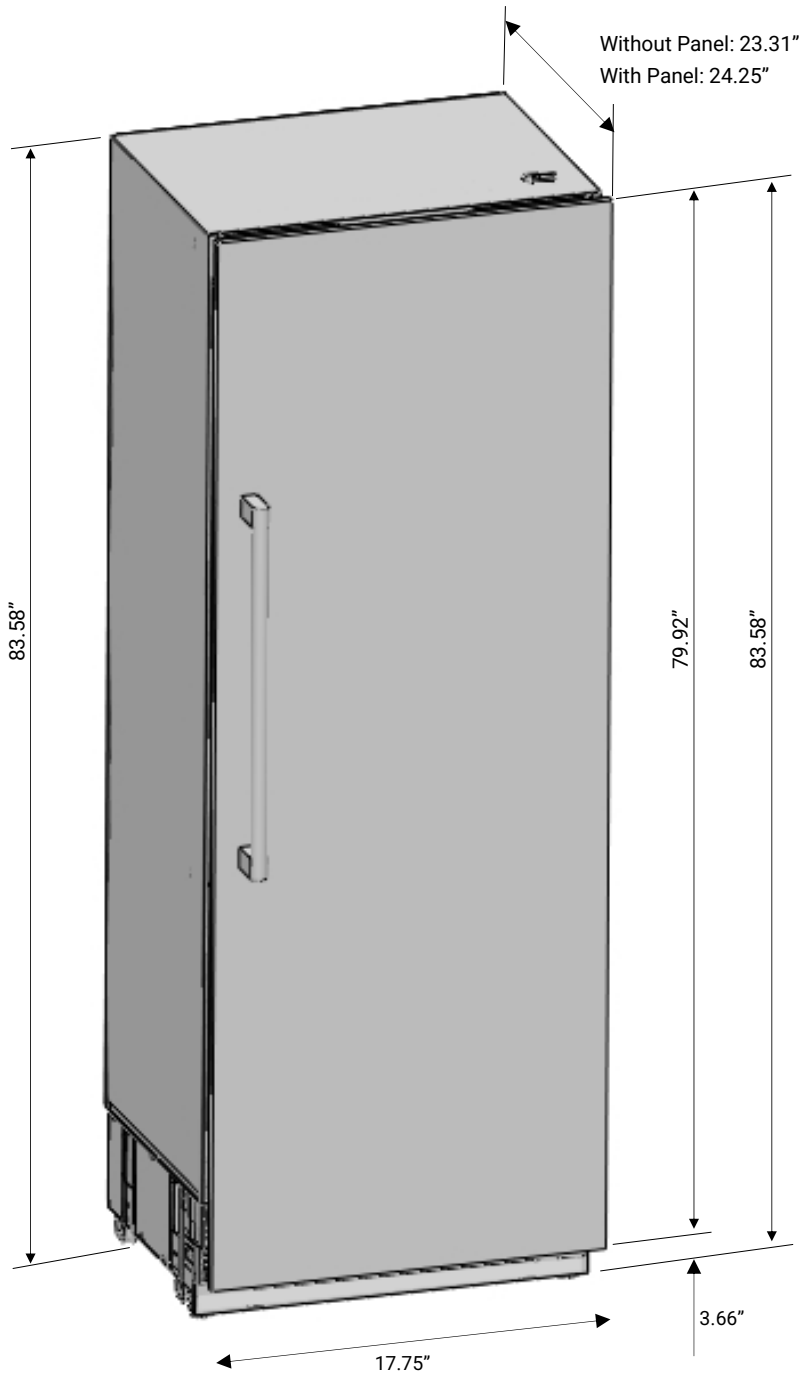
Capacity

Gross Cubic Feet	8.6
Net Cubic Feet	8.6
Individual Shelf Capacity	55 lbs.
Number of Shelves	4
Number of Drawers	4
Number of Door Bins	3

Features & Materials

Temperature Range	-11-7°F
Ambient Temperature Range	50-109°F
Temperature Control Type	Digital
Control Location	Center of Interior
Defrost Type	Frost Free
Cooling Unit Type	Automatic
Refrigerant Type	R-600a
Horsepower	1
Door Ajar Alarm	Yes
Noise	41 dB
Counter Depth	Yes
Number of Doors	1
Handle Included	No
Safety Lock	No
Sabbath Mode	Yes
Shelf Material Type	Glass
Shelves Adjustable	Yes
Door Style	Swing
Reversible Doors	No
Drawer Slide Type	Soft Close
Installation Type	Built-In
Finish Type	Panel Ready
Commercial Residential	Residential
Interior Color	White
Color Finish	White
Drawer Material	Plastic + Metal Trim
Light Type	LED
Light Brightness	6000K-7000K
Interior Lights Location	Top and Side. 1 Drawer Lights
Exterior Material	VCM
Interior Material	PS
Water Dispenser	No
Ice Production Per Day	3.9 lbs.
Ice Storage Capacity	5.5 lbs.
Ice Maker	No
Water Pressure	1-5.5 Bars
Diameter of Water Line Connection	0.25
Number of Legs	4
Air Filter	No
Compressor Location	Bottom

Plan View



718-576-6342
info@koolmore.com

