



# SPEC SHEET

## KoolMore 60 in. Commercial Refrigerated Prep Station with Sneeze Guard and Buffet Slide

SKU: KM-RBT-60CSFG

### FEATURES

- Commercial Cold Table Refrigerator
- Sneeze Guard and Buffet Slide
- Stainless-Steel Refrigeration Unit
- Automatic Defrost
- Digital Temperature Control
- 1-Year Parts and Labor; 5-Year Compressor Warranty
- Voltage: 115V/60Hz
- ETL Certified for Safety and Sanitation



### CLOSE UP IMAGES



# TECHNICAL SPECS

## Dimensions

Depth	60.4
Width	29.5
Height	55.2
Interior Depth	19.8
Interior Width	56
Interior Height	23.5
D-W-H of Sneeze Guard	60.9 x 29.1 x 21.6
D-W of Rail	60 x 11.1
Depth Including Handles	39.6
Depth Excluding Handles	39.6
Depth Less Door	57.5
Depth With Door Open 90 Degrees	57.5
Power Cord Length	98.5

## Capacity

Weight	341
Gross Cubic Feet	18
Net Capacity Cu. Ft.	14.7
Pan Capacity	12 1/3 size
Rail Max Capacity	88 lbs.
Individual Shelf Capacity	88 lbs.

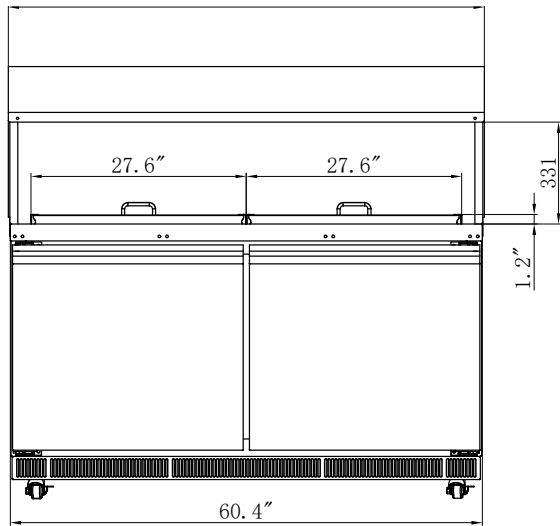
## Features & Material

Door Style	Swing
Number Of Doors	2
Number Of Shelves	2
Defrost Type	Automatic
Refrigerant Type	R-290
Temperature Control Type	Digital
Ambient Temperature Range	90 F
Temperature Range	33-40 F
Casters	4
Rail Material	Stainless-Steel
Shelf Material Type	Epoxy Coated
Shelves Adjustable	Yes
Adjustable Pan Dividers	Yes

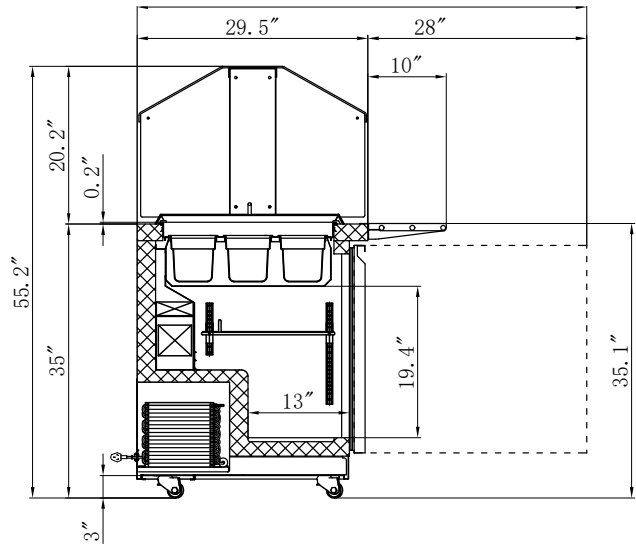
## Electric Data & Certifications

Amps	5.4
Phase	1
Plug Type	NEMA 5-15P
Voltage	115
Hertz	60
Wattage	540
Horsepower	0.5
Certifications	ETL Listed for Safety and Sanitation

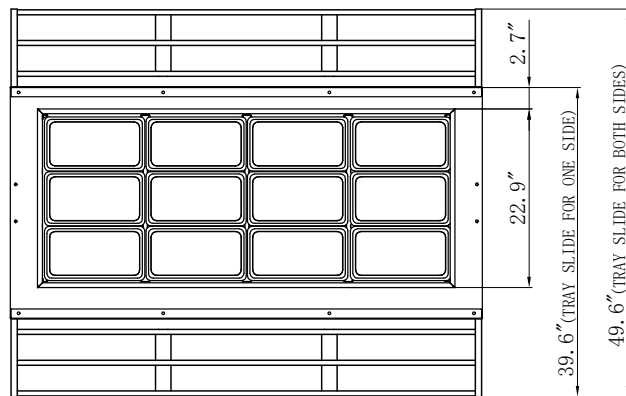
# Plan View



ELEVATION



SECTION VIEW



PLAN

## CERTIFICATIONS



706 Eastern Parkway STE 1G, Brooklyn NY 11213  
 718-576-6342  
 info@koolmore.com