



SPEC SHEET

KoolMore 50 in. One Door Commercial Pizza Prep Refrigerator in Stainless-Steel

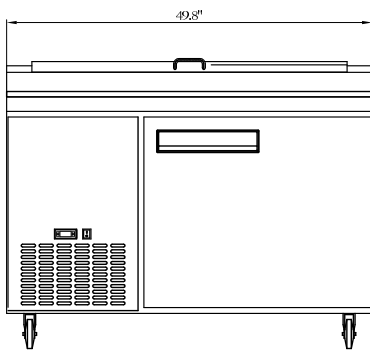
SKU: KM-RPPS-1DSS

FEATURES

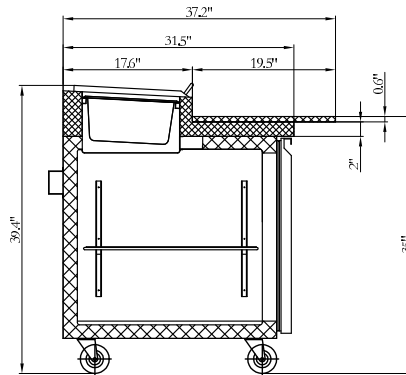
- **Craft Pizza Like the Professionals:** An all-in-one pizza prep station with cold refrigeration, designed for crafting pizza efficiently, supporting five individual food pans (not included) with refrigerated cold storage beneath.
- **Easy-Clean Surfaces:** Features high-quality stainless steel for durability and ease of cleaning, essential for proper hygiene and food safety.
- **Temperature Range:** Maintains a consistent temperature between 33°F and 40°F.
- **Auto/Cycle Defrost:** Equipped with an auto/cycle defrost system for hassle-free maintenance.
- **Side-Mounted Compressor:** For optimal performance and space efficiency.
- **ETL Certification:** Ensures compliance with safety standards.
- **Built-In Full-Length Cutting Board:** Provides a convenient surface for pizza preparation.
- **Expanded Cold Storage Space:** Offers ample room for ingredients and toppings.
- **Protective Rail Lid Food Cover:** Keeps food items fresh and protected.



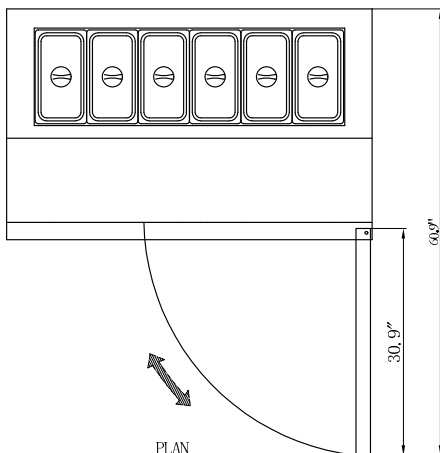
Specification	Detail
Construction	Stainless-Steel
Compressor Location	Side Mounted
Defrost Type	Auto / Cycle
Temperature Range	33°F-40°F
Certifications	ETL Listed
Color/Finish	Stainless Steel
Commercial/Residential	COMMERCIAL
Cubic Feet	10
Depth (Excluding Handles)	31.49 in
Door Style	Solid Door
Height to Top of Door Hinge	33 in
Interior Dimensions (WxHxD)	27.59 x 22.91 x 27.16 in
Number of Doors	1 Door
Number of Shelves	1
Plug Type	NEMA 5-15P
Refrigerant Type	R-290
Shelf Material Type	Wire
Temperature Range	33 - 40 Degrees F
Voltage	120



ELEVATION



SECTION VIEW



PLAN

