



SPEC SHEET

KoolMore 92 In. Three Door Commercial Pizza Prep Refrigerator in Stainless-Steel

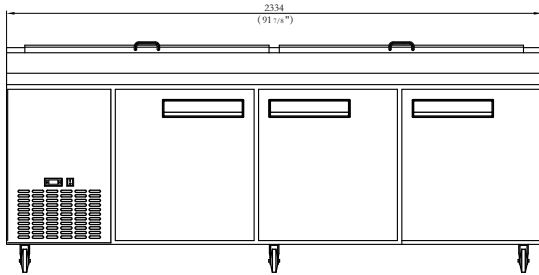
SKU: KM-RPPS-3DSS

FEATURES

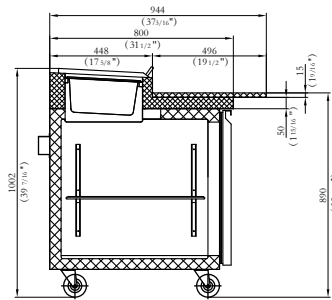
- Stainless-Steel Construction
- Temperature Range:33°F-40°F
- Auto/Cycle Defrost
- Side-Mounted Compressor
- ETL Certification
- Built-In Full-Length Cutting Board
- Expanded Cold Storage Space
- Protective Rail Lid Food Cover



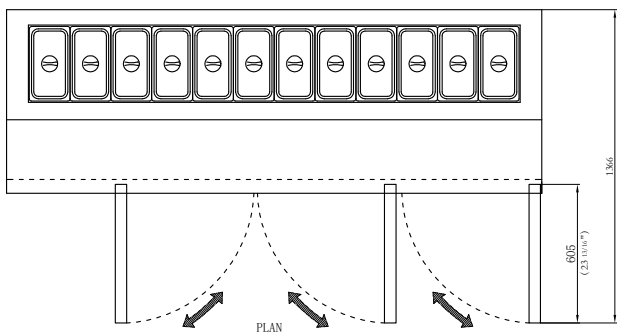
| Specification | Detail |
|---------------------------|--|
| Model | KM-RPPS-3DSS |
| Product Dimensions | 91.88 in (L) x 31.49 in (W) x 39.45 in (H) |
| Product Weight | 565 lbs |
| Material | Stainless Steel |
| Interior Depth | 27.16 in |
| Interior Height | 22.91 in |
| Interior Width | 69.6 in |
| Plug Type | NEMA 5-15P |
| Power Cord Length | 98 Inches |
| Refrigerant Type | R-290 |
| Shelf Material Type | Wire |
| Ambient Temperature Range | 90 Degrees F |
| Temperature Range | 33 - 40 Degrees F |
| Voltage | 120 |
| Cubic Feet | 24 |
| Certification | ETL Listed |



ELEVATION



SECTION VIEW



PLAN

CERTIFICATIONS

