



# SPEC SHEET

## KoolMore 42 in. 16-Gauge 2-Compartment Commercial Sink with Backsplash, Bowl Dimensions 18"x18"x14" in Stainless-Steel

Model: KM-SB181814-N316

### FEATURES

- NSF Certified: Meets high standards for sanitation and food safety.
- Hygienic Construction: Seamless stainless steel design for easy cleaning and hygiene.
- Corrosion Resistance: Maintains appearance over time with a corrosion-resistant finish.
- Eco-Friendly: Uses environmentally sustainable materials and manufacturing processes.
- Large Capacity: Designed to handle diverse kitchen tasks efficiently.
- Installation Options: Includes a wall-mounted option for space-saving in busy kitchens.
- Ergonomic Design: Enhances comfort and operational efficiency for kitchen staff.



### CLOSE UP IMAGES



# TECHNICAL SPECS

## Dimensions

Length	42
Width	24
Height	43.13
Weight (lbs)	62.7
DxWxH of Bowl 1	18"x18"x14"
DxWxH of Bowl 2	18"x18"x14"
Space Between Basins	1.2"
Height From Floor to Bottom of Basin	19.44
Height From Floor to Top of Basin	33.46
Legs Height	18.11
Left Drainboard Length	N/A
Right Drainboard Length	N/A
Backsplash Size	9.72

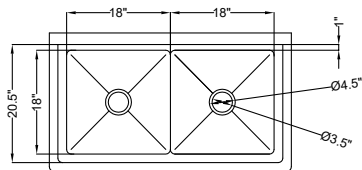
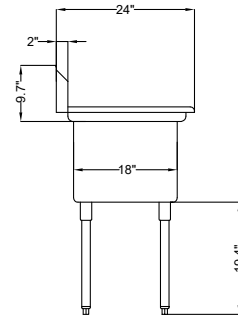
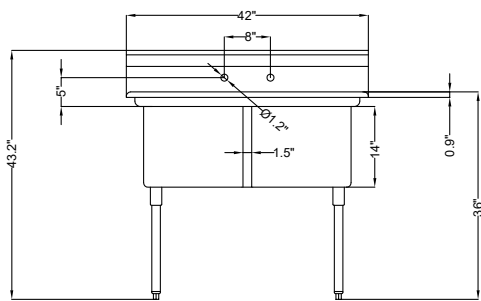
## Features & Materials

Exterior Material	stainless steel
Color Finish	silver gray
Drain Included	Yes
Number of Basins	2
Angle of Downward Incline in Basin	2 degrees
Angle of Downward Incline of Dashboard	6 degrees
Legs Adjustable	Yes

## Certifications

Certifications	NSF
----------------	-----

# Plan View



## CERTIFICATIONS



706 Eastern Parkway STE 1G, Brooklyn NY 11213  
718-576-6342  
info@koolmore.com