



SPEC SHEET

KoolMore 75 in Three Compartment Commercial Sink, Bowl Size 15x15x14, 16 Gauge Stainless-Steel with 2 Drainboards

Model: KM-SC151514-15B316

FEATURES

- Commercial Restaurant Sink
- Large Three-Basin Design
- 304 Stainless Steel (16-Gauge)
- Dual Drainboards (Sides)
- Rust and Corrosion Resistant
- Raised Drainboard Edge
- 3-Compartment Commercial Sink
- Large, Easy-to-Setup Design



CLOSE UP IMAGES



TECHNICAL SPECS

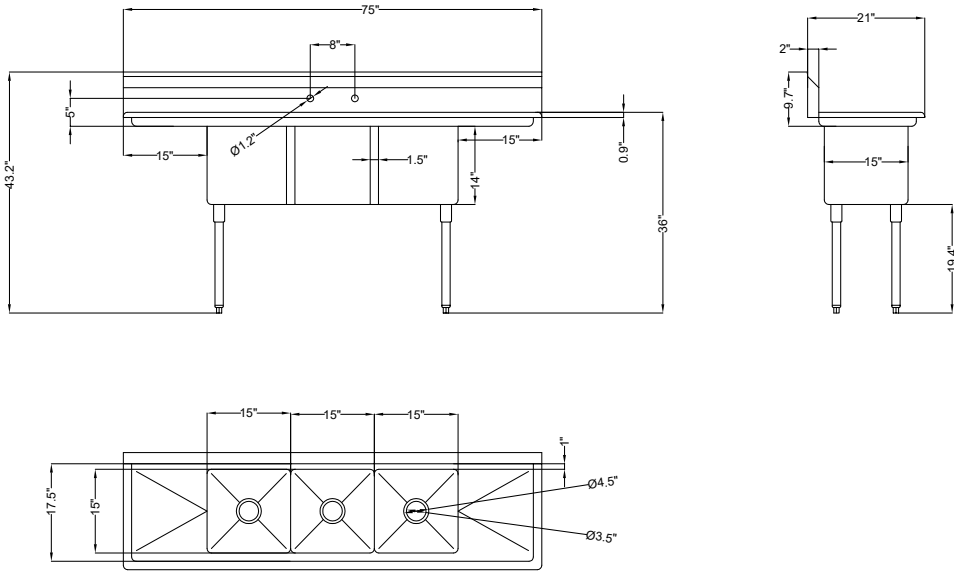
Dimensions

Length	75
Width	21
Height	43.2
Weight Lbs	83.5
DxWxH of bowl1	15x15x14
DxHxH of bowl2	15x15x14
DxHxH of bowl3	15x15x14
Space Between Basins	1.2
Height From Floor To Bottom Of Basin	19.44
Height From Floor To Top Of Basin	33.5
Legs Height	19.4
L Drainboard Length	15
R Drainboard Length	15
Backsplash Size	9.7

Features & Materials

Exterior Material	304 Stainless-Steel
Color Finish	Stainless-Steel
Drain Included	Yes
Number Of Basins	3
Angle Of Downward Incline In Basin	2 Degrees
Angle Of Downward Incline Of Dashboard	6 Degrees
Legs Adjustable	1 in.
Feet Material	Plastic bullet feet
Gauge Of Stainless Steel	16
Certifications	NSF Certified for Sanitation

Plan View



706 Eastern Parkway STE 1G, Brooklyn NY 11213
718-576-6342
info@koolmore.com