



SPEC SHEET

28 In. 3-Tier Supermarket Wooden Display Rack

Model: KM-SDW-3ROP

FEATURES

- **Wide 3-Tier Layout:** Spacious 28-inch shelves provide ample room to display a variety of bakery items, produce, packaged goods, or retail merchandise.
- **Premium Wood Shelving:** Constructed with an ash-wood frame and eucalyptus-wood shelves, all finished in a rich dark wood grain for a clean and natural look.
- **Sturdy Iron Frame:** The black metal side structure delivers exceptional durability and stability while complementing modern retail décor.
- **Open Display Design:** No doors or barriers—customers enjoy full visibility and easy access from all sides.
- **High Weight Capacity:** Each shelf supports up to 22 lbs., making it suitable for heavier items like jars, snacks, baked goods, or small boxed products.
- **Commercial-Grade Construction:** Built for reliable performance in supermarkets, bakeries, cafés, and specialty shops.



Technical Specs

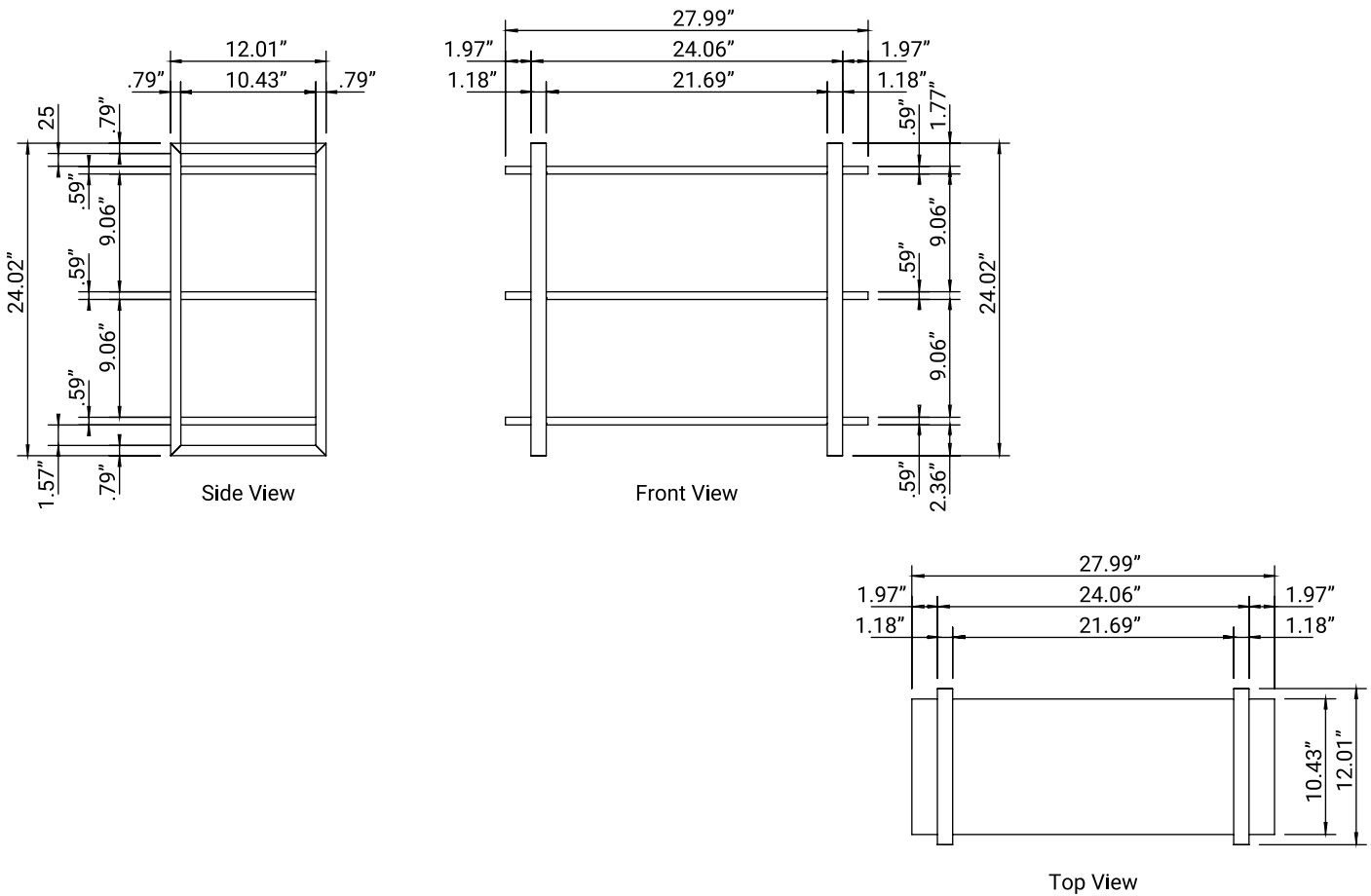
Dimensions & Weight

Height	24"
Length	28"
Width	12"
Weight lbs.	19"
Interior Height	25.7"
Interior Depth	10.8"
Interior Width	28"

Features & Materials

Legs Adjustable	No
Color	Brown/Black
Exterior Material	Iron and Wood
Shelf Material Type	Plywood
Wood Type	Ash
Number of Tiers	3
Individual Shelf Capacity	22 lbs.
Cleaning	Cloth
Assembly Required	No

Plan View



718-576-6342
info@koolmore.com