



# SPEC SHEET

## 16.5 In. 3-Tier Wooden Staircase Display Case

**Model:** KM-SDW-3ST

### FEATURES

- **Three-Tier Staircase Design:** Elevates products across three levels for improved visibility and a more dynamic, eye-catching presentation.
- **Premium Wood Construction:** Built with an ash-wood frame, eucalyptus shelves, and a dark wood-grain finish for durability and a warm, natural aesthetic.
- **Sturdy Iron Support Frame:** Black metal side rails provide strong structural stability while adding a sleek, modern contrast to the wood.
- **Spacious Display Capacity:** Each shelf supports up to 22 lbs., ideal for pastries, baked goods, packaged items, promotional products, and more.
- **Compact Countertop Footprint:** Measures 16.5" L x 20.3" W x 15.5" H, offering generous display room without overwhelming your counter.
- **Smooth, Open Access Design:** No doors or enclosures—just easy placement and retrieval of products for fast self-service or staff access.



# Technical Specs

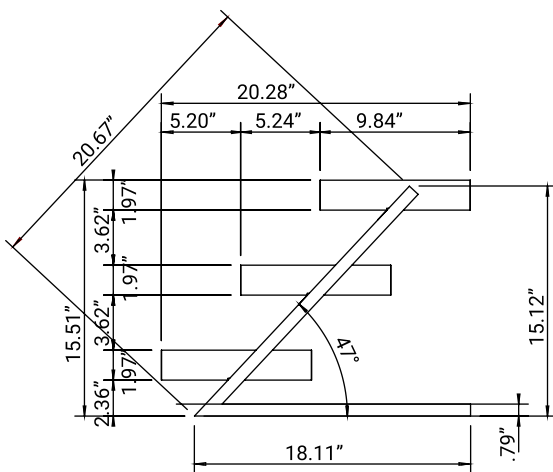
## Dimensions & Weight

Height	15.5"
Length	16.5"
Width	20.3"
Weight lbs.	14"
Interior Height	12.8"
Interior Depth	9.1"
Interior Width	13.6"

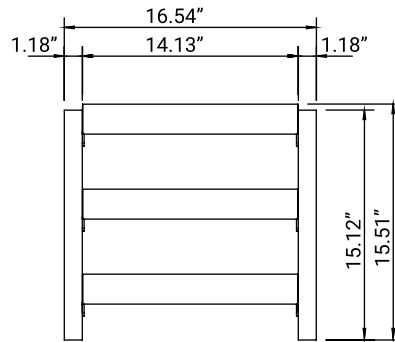
## Features & Materials

Legs Adjustable	No
Color	Brown/Black
Exterior Material	Iron and Wood
Shelf Material Type	Plywood
Wood Type	Ash
Number of Tiers	3
Individual Shelf Capacity	22 lbs.
Cleaning	Cloth
Assembly Required	No

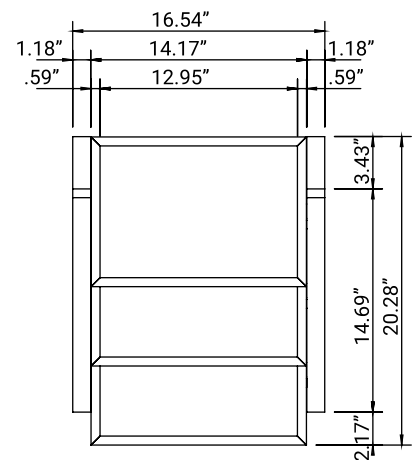
# Plan View



Side View



Front View



Top View



718-576-6342  
info@koolmore.com