



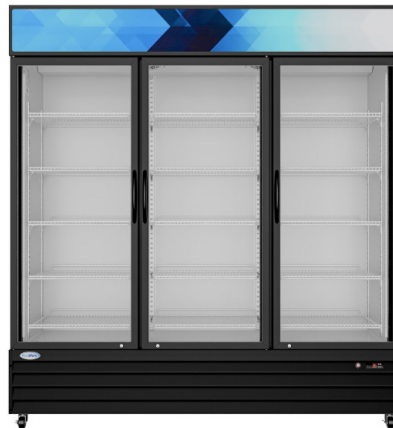
# SPEC SHEET

## 71 in. Three-Door Merchandiser Refrigerator, 56 Cu. Ft.

Model: MDR-3GD-63C

### FEATURES

- **Glass Display:** Large clear glass door showcases products for easy customer viewing and faster purchasing decisions.
- **Spacious Storage:** 56 Cu. Ft. with fifteen adjustable, plastic-coated steel shelves (71 lbs. capacity each) for versatile organization.
- **Adjustable Shelving:** Multi-tier adjustable shelving fits bottles, cans, and packaged items and includes 36 shelf clips for easy customization.
- **Anti-Fog Glass:** Double-paned tempered glass reduces condensation to keep products visible at all times.
- **Durable Build:** Painted steel exterior and interior for a sleek, low-maintenance design suited for commercial use.
- **Bright LED Lighting:** 4.8W middle beam LED enhances product visibility with energy-efficient illumination.
- **Low-Maintenance Operation:** Automatic defrost and self-evaporation water tray reduce upkeep.
- **External Digital Temperature Controls:** Easily monitor and adjust the temperature (33-40 F) with the external digital display.
- **Certified & Warranted:** ETL certified with a 1-year parts and labor warranty for reliable performance and support.



### CLOSE UP IMAGES



# Technical Specs

## Dimensions & Weight

Length	67.32 in.
Width	28.54 in.
Height	81.26 in.
Weight	450 lbs.
Interior Depth	23.43 in.
Interior Width	63.5 in.
Interior Height	61.48 in.
Shelf Depth	21.73 in.
Shelf Width	19.88 (left & right) 22.59 (middle)
Depth Excluding Handles	27.16 in.
Depth Including Handles	28.35 in.
Depth Less Door	25.39 in.
Depth With Door Open 90 Degrees	48.94 in.
Height To Top Of Door Hinge	81.22 in.
Minimum Back Air Clearance	4 in.
Minimum Side Air Clearance	4 in.

## Electric & Certifications

Voltage	115
Wattage	700
Hertz	60
Amps	6.8
Phase	1
Plug Type	NEMA 5-15P
Power Cord Length	98 in.
Energy Consumption	2080.5 KWH/year
Electrical Installation Type	Plug-in
Certifications	ETL Listed for Safety and Sanitation

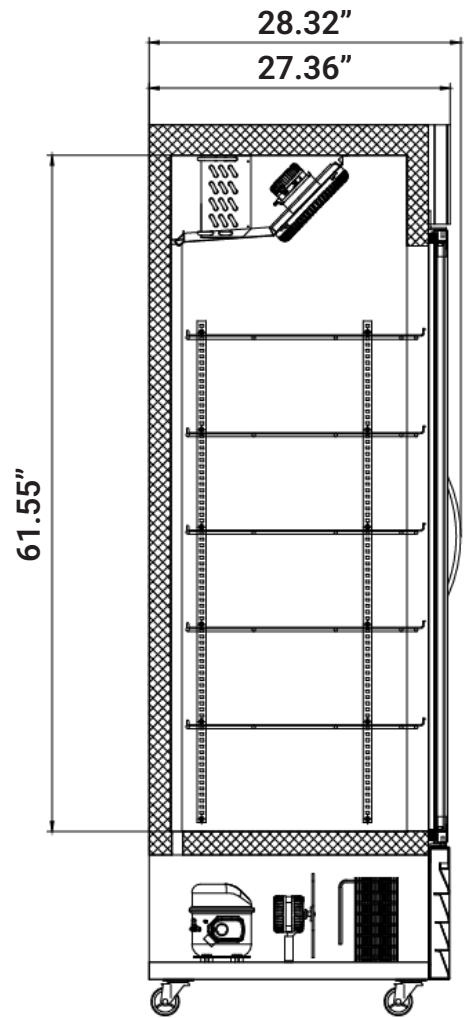
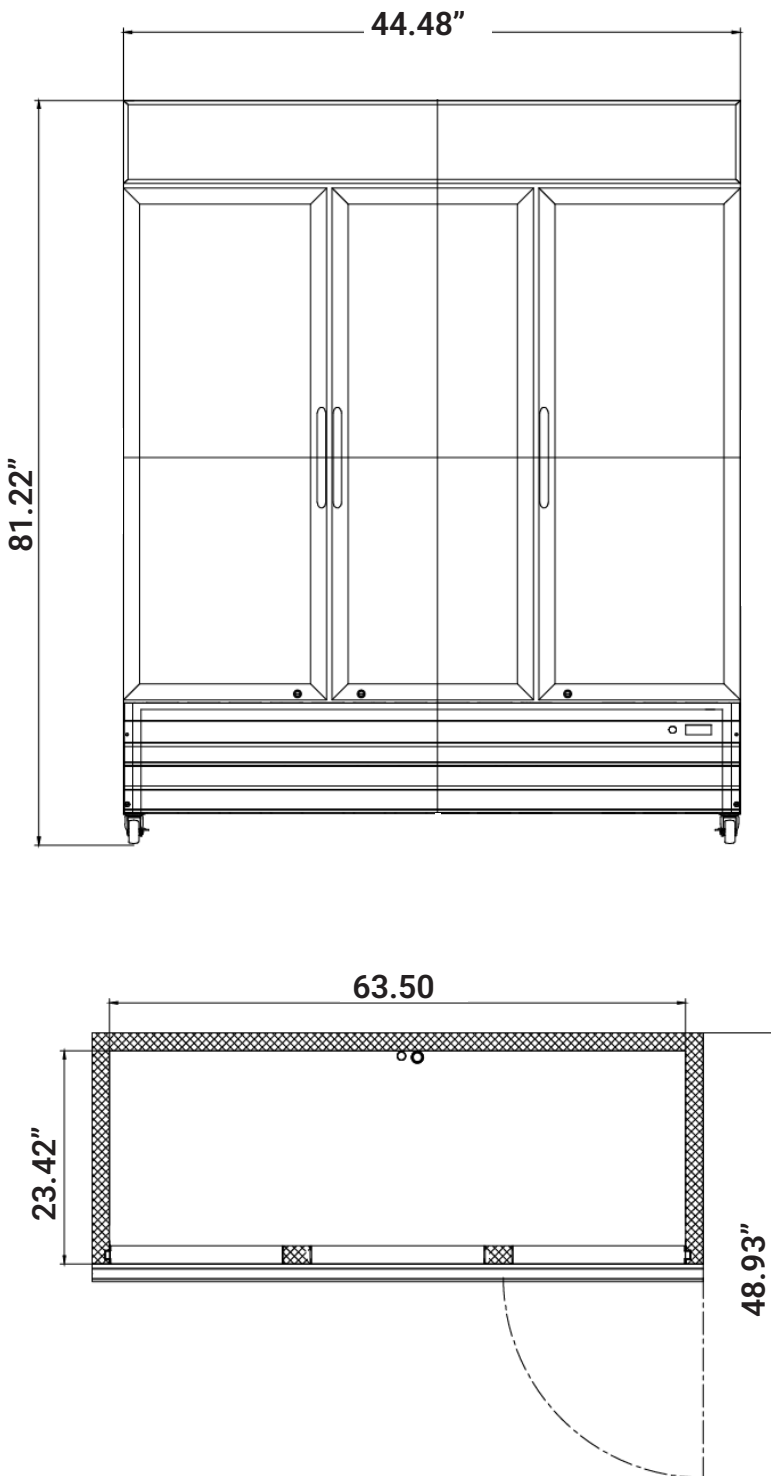
## Capacity

Gross Cubic Feet	48.9
Net Cubic Feet	40.7
Number of Shelves	15
Individual Shelf Capacity	71.65 lbs.

## Features & Materials

Temperature Range	32-50 F
Ambient Temperature Range	100.4
Cooling Unit Type	Automatic
Defrost Type	Automatic
Refrigerant Type	R-290
Installation Type	Freestanding
Horsepower	0.25
Number Of Doors	3
Door Style	Swing
Interior Lights	LED
Interior Lights Brightness	4.83 W
Interior Lights Color	White
Control Type	Digital
Color	Black
Color Finish	Black
Interior Color	White
Door Handle Color	Black
Door Material	Plastic
Door Handle	Standard
Refrigerator Can Capacity	1537 11 Fl. Oz. Cans
Reversible Doors	No
Self Closing Door	Yes
Indoor / Outdoor	Indoor
Glass Type	Double Tempered
Noise	55 db
Shelves Adjustable	Yes
Shelf Material Type	Coated Metal
Interior Material	Galvanized Steel
Exterior Material	Precoated Steel
Casters	8
Safety Lock	Yes
Compressor Location	Bottom

# Plan View



718-576-6342  
info@koolmore.com