



SPEC SHEET

KoolMore 54 in. Two-Door Reach-In Freezer 47 cu ft.

SKU: RIF-2D-SS

FEATURES

- Digital temperature controls and display
- Stainless steel body
- Self-closing door with a stay-open feature for easy load
- Six shelves with twenty-four shelf clips
- Four casters with two breaks for increased mobility and easy cleaning
- Includes pre-installed lock and key for guaranteed overnight freshness and security
- Preprogrammed digital controls feature auto-defrost
- ETL Listed for Safety and Sanitation



CLOSE UP IMAGES



TECHNICAL SPECS

Dimensions

Depth	32.2
Width	54
Height	82.5
Interior Depth	27.1
Interior Width	49.4
Interior Height	51.6
Shelf Width	23.6
Shelf Depth	23.2
Depth Including Handles	32.2
Depth Excluding Handles	32.2
Depth Less Door	29.4
Depth With Door Open 90 Degrees	57.1
Power Cord Length	98.5

Capacity

Gross Cubic Feet	46.7
Net Capacity Cu. Ft.	41.3
Individual Shelf Capacity	88l bs.

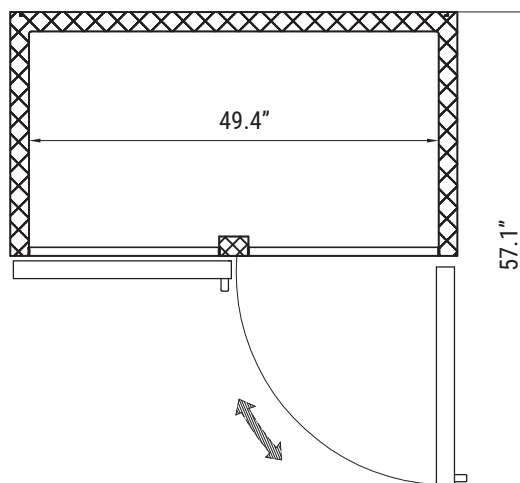
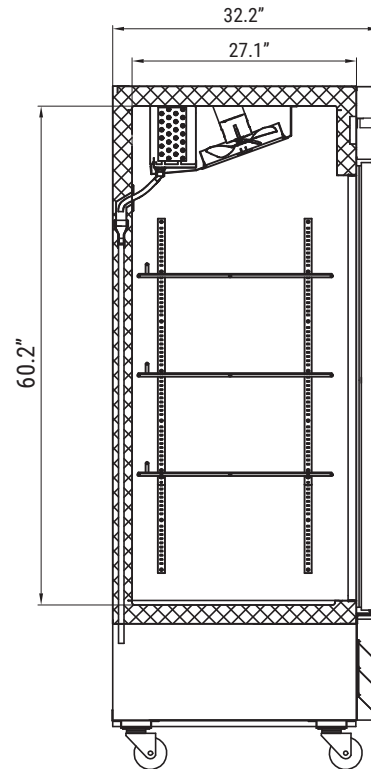
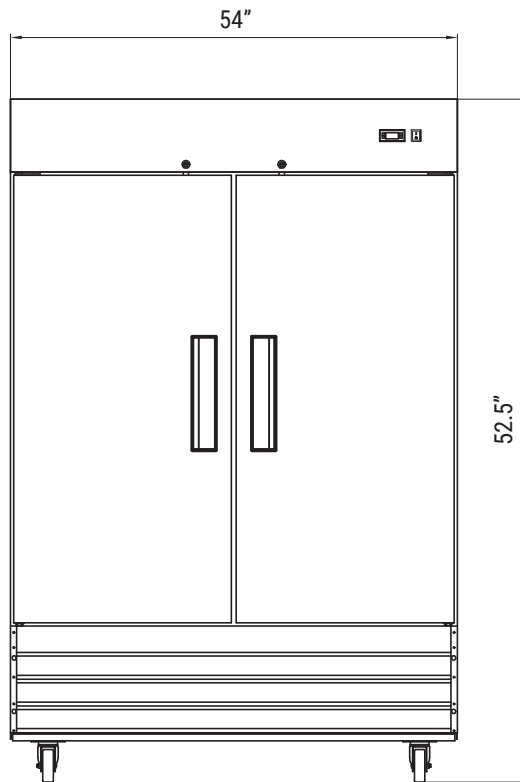
Features & Material

Door Style	Swing
Number Of Doors	2
Number Of Shelves	6
Defrost Type	Automatic
Refrigerant Type	R-290
Temperature Control Type	External Digital
Ambient Temperature Range	100 F
Temperature Range	- 7 F~0 F
Casters	4
Light Type	Fluorescent Bulb
Shelf Material Type	Epoxy Coated
Interior Material	Stainless Steel 201
Exterior Material	Stainless Steel 304

Electric Data & Certifications

Amps	8.5
Phase	1
Plug Type	NEMA 5-15P
Voltage	115
Certifications	ETL Listed for Safety and Sanitation

Plan View



CERTIFICATIONS

Intertek Intertek

This block contains two certification logos from Intertek. The first logo is labeled 'ETL US' and the second is labeled 'ETL LISTED'. Both logos are circular with 'ETL' in the center and 'US' or 'LISTED' around the perimeter. Below the logos, the word 'Intertek' is printed twice.



706 Eastern Parkway STE 1G, Brooklyn NY 11213
718-576-6342
info@koolmore.com