



# SPEC SHEET

## KoolMore 82 in. Three-Door Reach-In Freezer 72 cu ft.

SKU: RIF-3D-SS

### FEATURES

- Ideal for restaurants, hotels, and all types commercial kitchens.
- A raised bottom shelf made for convenient loading, unloading, and maintenance.
- Two door industrial freezer with recessed handle for easy access. With a self-closing feature that ensures food remains fresh.
- Six deep adjustable shelves coated in epoxy for maximum corrosion resistance. This tall refrigerator holds up to 47 cu. ft.
- External digital temperature controls and display to easily monitor and control temperature. 4 casters with 2 locking make it portable.



### CLOSE UP IMAGES



# TECHNICAL SPECS

## Dimensions

Depth	32.2
Width	80.9
Height	82.5
Interior Depth	27.1
Interior Width	76.3
Interior Height	51.6
Shelf Width	23.6 LR - 25.1 M
Shelf Depth	23.2
Depth Including Handles	32.2
Depth Excluding Handles	32.2
Depth Less Door	29.4
Depth With Door Open 90 Degrees	57.1
Power Cord Length	98.5

## Capacity

Gross Cubic Feet	72.1
Net Capacity Cu. Ft.	66.5
Individual Shelf Capacity	88l bs.

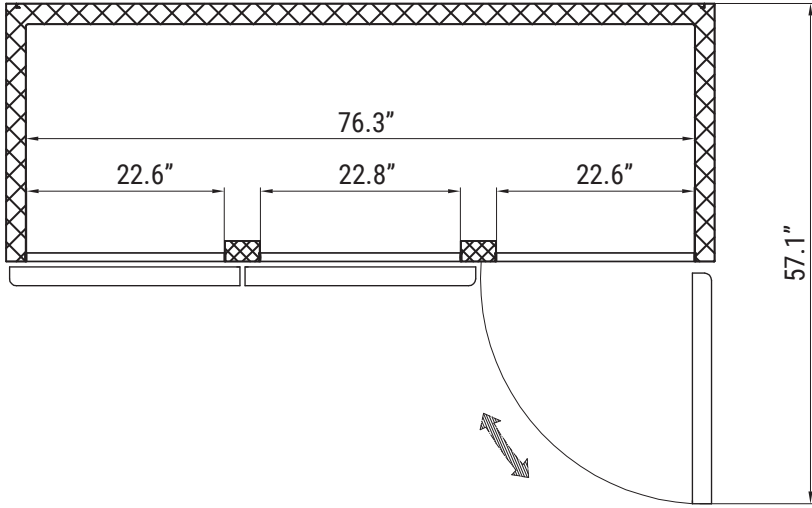
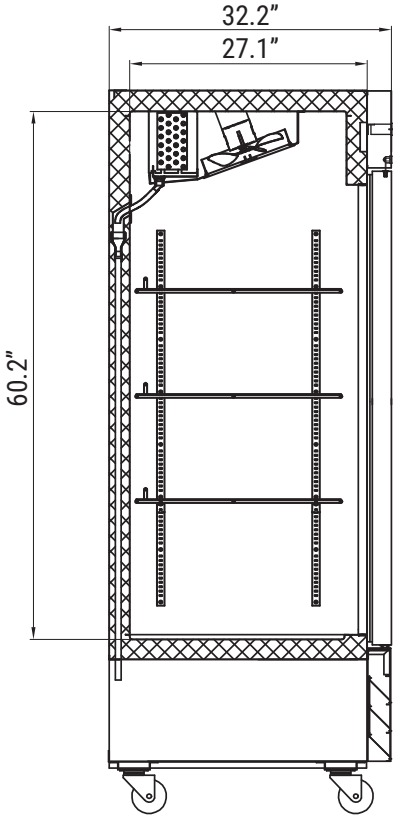
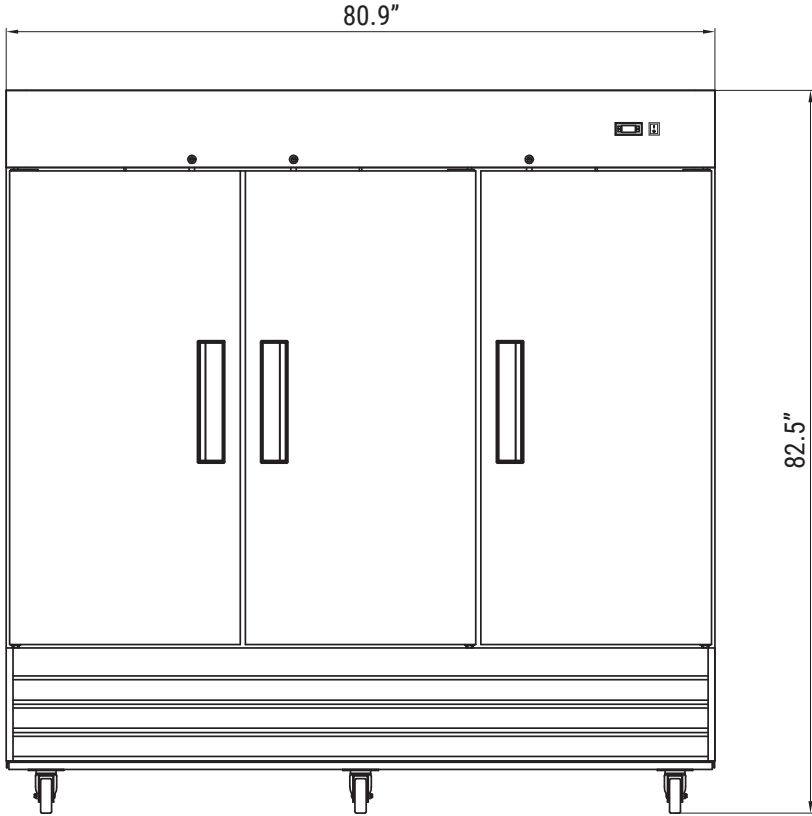
## Features & Material

Door Style	Swing
Number Of Doors	3
Number Of Shelves	9
Defrost Type	Automatic
Refrigerant Type	R-290
Temperature Control Type	External Digital
Ambient Temperature Range	100 F
Temperature Range	- 7 F~0 F
Casters	6
Light Type	Fluorescent Bulb
Shelf Material Type	Epoxy Coated
Interior Material	Stainless Steel 201
Exterior Material	Stainless Steel 304

## Electric Data & Certifications

Amps	14.4
Phase	1
Plug Type	NEMA 5-20P
Voltage	115
Certifications	ETL Listed for Safety and Sanitation

# Plan View



**CERTIFICATIONS**

ETL US Intertek

ETL Intertek



706 Eastern Parkway STE 1G, Brooklyn NY 11213  
718-576-6342  
info@koolmore.com