



# SPEC SHEET

## KoolMore 54 in. Two-Door Reach-In Refrigerator - 47 Cu Ft.

SKU: RIR-2D-SS

### FEATURES

- Digital temperature controls and display
- Stainless steel body
- Self-closing door with a stay-open feature for easy load
- Four casters with two breaks for increased mobility and easy cleaning
- Bottom mounted compressor
- Recessed door handles
- Includes pre-installed lock and key for guaranteed overnight freshness
- Preprogrammed digital controls feature auto-defrost
- Interior lighting
- ETL Listed for Safety and Sanitation



### CLOSE UP IMAGES



# TECHNICAL SPECS

## Dimensions

Depth	32.2
Width	54
Height	82.5
Interior Depth	27.1
Interior Width	49.4
Interior Height	51.6
Shelf Width	23.6
Shelf Depth	23.2
Depth Including Handles	33.4
Depth Excluding Handles	32.2
Depth Less Door	29.4
Depth With Door Open 90 Degrees	57.1
Power Cord Length	98.5

## Capacity

Gross Cubic Feet	46.7
Net Capacity Cu. Ft.	41.3
Individual Shelf Capacity	88l bs.

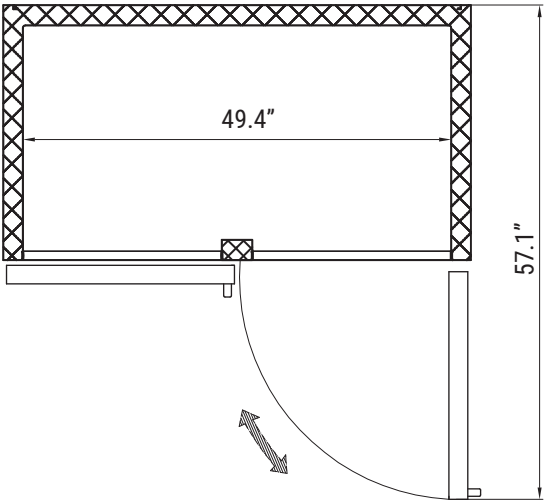
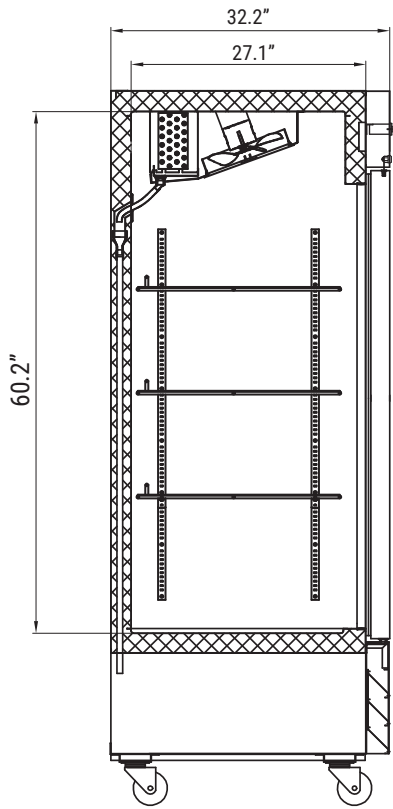
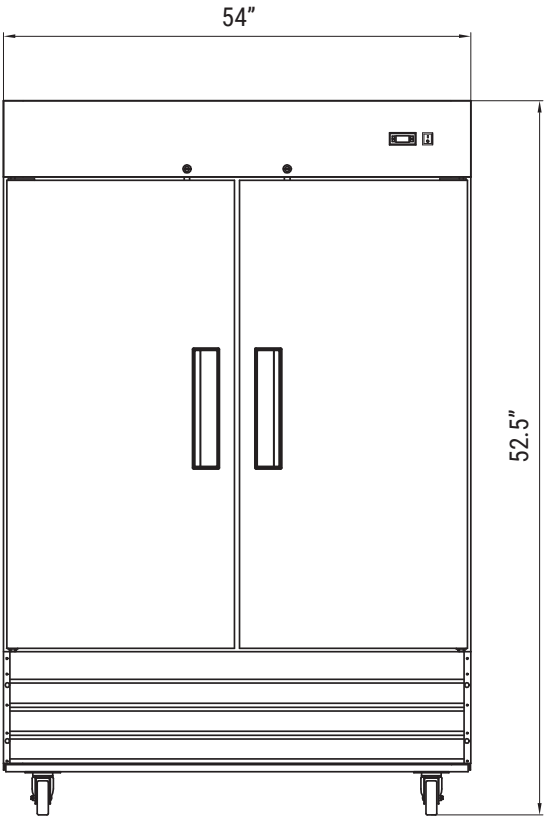
## Features & Material

Door Style	Swing
Number Of Doors	2
Number Of Shelves	6
Defrost Type	Automatic
Refrigerant Type	R-290
Temperature Control Type	External Digital
Ambient Temperature Range	100 F
Temperature Range	33-40 F
Casters	4
Light Type	LED
Shelf Material Type	Epoxy Coated
Interior Material	Stainless Steel 201
Exterior Material	Stainless Steel 304

## Electric Data & Certifications

Amps	6.2
Phase	1
Plug Type	NEMA 5-15P
Voltage	115
Certifications	ETL Listed for Safety and Sanitation

# Plan View



**CERTIFICATIONS**

ETL C-UL Intertek

ETL US Intertek

Two ETL certification logos are displayed. The first is ETL C-UL and the second is ETL US. Both logos include the Intertek logo below them.



706 Eastern Parkway STE 1G, Brooklyn NY 11213  
718-576-6342  
info@koolmore.com