



# SPEC SHEET

## KoolMore 48 in. Two-Door Worktop Refrigerator With 3.5 in. Backsplash - 12 Cu Ft.

SKU: RWT-2D-12C

### FEATURES

- Digital temperature controls
- Convenient and spacious work surface area
- Stainless steel body
- Self-closing door with a stay-open feature for easy load
- Two epoxy coated corrosion resistant adjustable shelf with 90 lbs. capacity
- Four casters with two breaks for increased mobility and easy cleaning
- Preprogrammed digital controls feature auto-defrost
- Removable door gasket
- Interior lighting



### CLOSE UP IMAGES



# TECHNICAL SPECS

## Dimensions

Depth	47.5
Width	29.5
Height	38.75
Interior Depth	19.8
Interior Width	42.6
Interior Height	23.5
Shelf Width	20.8
Shelf Depth	17.1
Depth Including Handles	29.5
Depth Excluding Handles	29.5
Depth Less Door	29.5
Depth With Door Open 90 Degrees	50.9
Power Cord Length	98.5

## Capacity

Weight	213.4
Gross Cubic Feet	11.9
Net Capacity Cu. Ft.	10.2
Individual Shelf Capacity	88 lbs.
Top Capacity	550

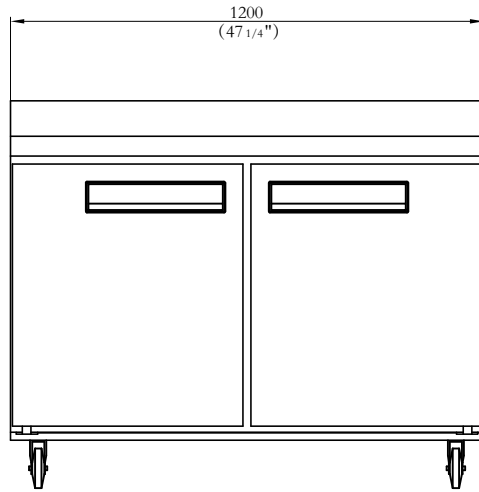
## Features & Material

Door Style	Swing
Number Of Doors	2
Number Of Shelves	2
Defrost Type	Automatic
Refrigerant Type	R290
Temperature Control Type	Digital
Ambient Temperature Range	100 F
Temperature Range	33-40 F
Casters	4
Light Type	NA
Shelf Material Type	Plastic Coated
Interior Material	SS 201
Exterior Material	SS 430

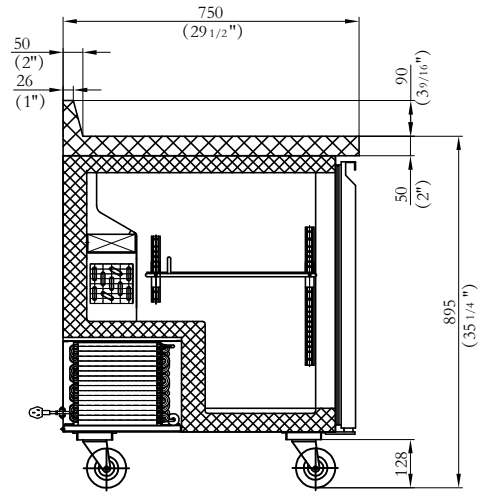
## Electric Data & Certifications

Amps	2.4
Phase	1
Plug Type	NEMA 5-15P
Voltage	115
Hertz	60
Wattage	270
Horsepower	0.3536
Certifications	ETL Listed for Safety and Sanitation

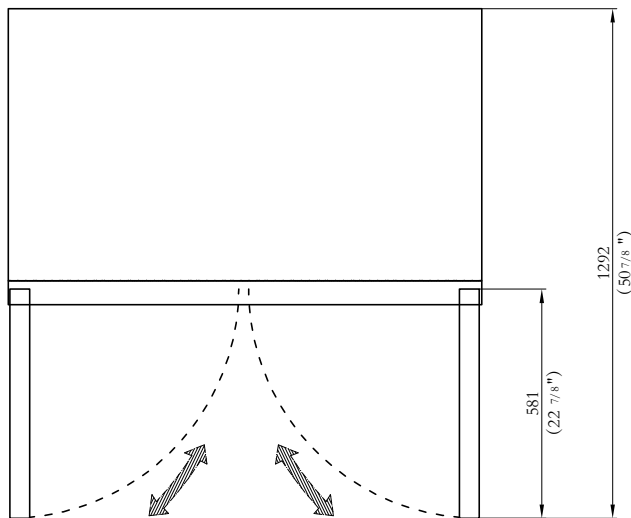
# Plan View



ELEVATION



SECTION VIEW



PLAN

## CERTIFICATIONS



Intertek



Intertek



706 Eastern Parkway STE 1G, Brooklyn NY 11213  
718-576-6342  
info@koolmore.com