



SPEC SHEET

23 In. One Compartment Stainless-Steel Commercial Sink with Drainboard, Bowl Size 10" x 14" x 10"

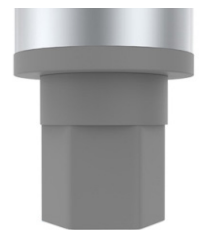
Model: SA101410-10L3

FEATURES

- **Heavy-Duty Stainless-Steel Construction:** Crafted from premium 18-gauge Type 304 stainless steel for exceptional durability, corrosion resistance, and long-lasting performance in commercial and residential environments.
- **Compact Single-Bowl Design:** Space-saving utility sink is ideal for cafes, food trucks, bakeries, restaurants, garages, laundry rooms, basements, patios, and other areas with limited space.
- **Left-Side Drainboard:** Features a spacious 10-inch drainboard that provides convenient workspace for food preparation, dishwashing, stacking dirty dishes, and air drying kitchenware.
- **NSF Certified for Safety:** Meets NSF International standards for public health, safety, and sanitation, making it suitable for commercial foodservice applications.
- **9.7-Inch Protective Backsplash:** Integrated backsplash helps protect walls from water splashes and spills during washing and food prep, keeping your workspace cleaner and easier to maintain.
- **Easy-to-Clean Design:** Rounded bowl corners eliminate hard-to-reach areas, while sloped drainboards promote efficient water drainage for faster cleanup and improved hygiene.
- **Stable and Functional Design:** Features adjustable bullet feet for enhanced stability, rolled edges to help prevent overflow, and sloped drainboards that promote efficient water drainage for a cleaner, safer workspace.



CLOSE UP IMAGES



Technical Specs

Dimensions & Weight

Length	23 in.
Height	43.2 in.
Width	20 in.
Weight	24.4 lbs.
Height From Floor to Top of Basin	33.5 in.
Height From Floor to Top Bottom of Basin	23.5 in.
Legs Height	22.16 in.
R Drainboard	No
L Drainboard	Yes
L Drainboard Length	10 in.
D x W x H of Bowl	10 x 14 x 10 in.
Backsplash Size	9.7 in.
Diameter of Drain Line Connection	1.24 in.
Angle of Downward Incline in Basin	2 Degrees
Angle of Downward Incline of Dashboard	6 Degrees

Certifications

Certifications	NSF Listed
----------------	------------

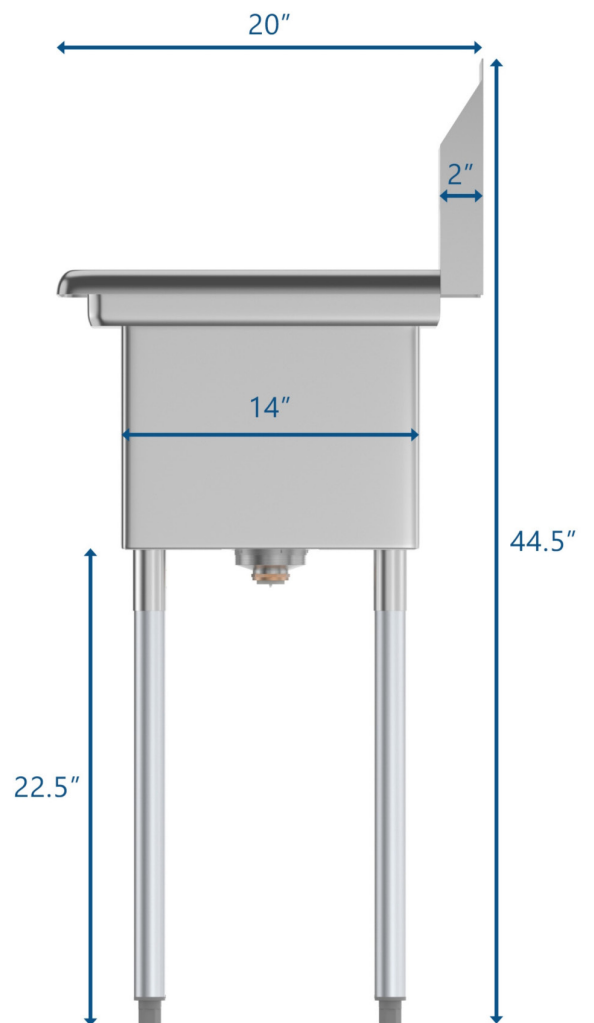
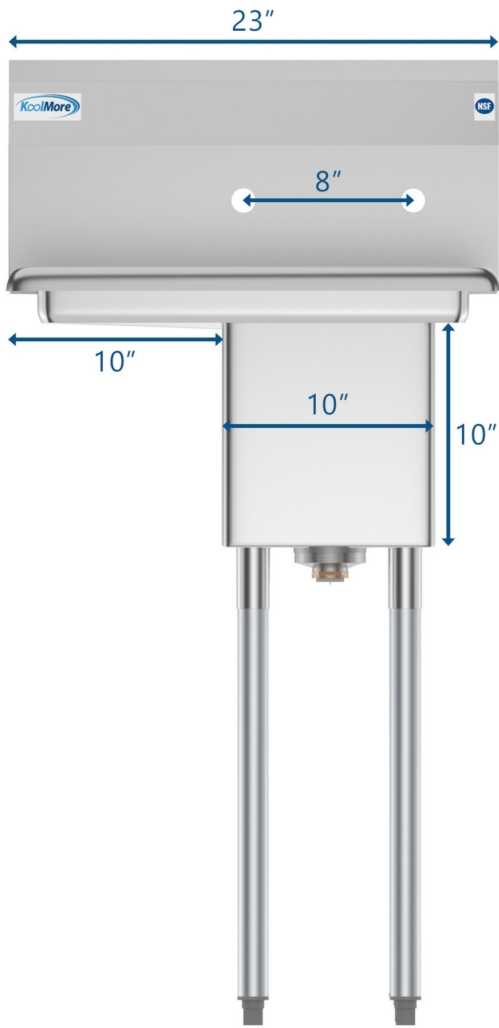
Capacity

Number of Basins	1
------------------	---

Features & Materials

Exterior Material	Stainless-Steel 304
Gauge of Stainless-Steel	18
Legs Adjustable	Yes
Feet Material	Plastic
Drain Included	Yes
Faucet Included	No
Color	Silver
Color Finish	Stainless-Steel
Assembly Required	Yes

Plan View



718-576-6342
info@koolmore.com

CERTIFICATIONS

