



SPEC SHEET

KoolMore 45 in. One Compartment Stainless Steel Commercial Sink with Drainboards, Bowl Size 15" x 15" x 12"

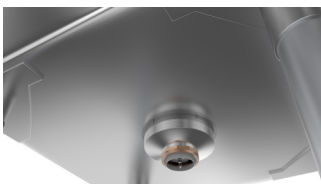
Model: SA151512-15B3

FEATURES

- Adjustable 1.5 in. bullet feet for the best possible stability
- Two 15-inch drainboards
- Rolled edges to prevent overflow
- Rounded corners for easy cleaning
- Protective backsplash to prevent splashes
- Slanted drainboard surface to drain excess water
- Corrosion-resistant galvanized steel legs
- Stainless steel drain basket included
- NSF certified
- 90-Day Warranty



CLOSE UP IMAGES



TECHNICAL SPECS

Dimensions

Length	45
Width	21
Height	43.2
Weight (lbs)	35.5
DxWxH of Bowl 1	15x15x12
Height From Floor to Bottom of Basin	23.5
Height From Floor to Top of Basin	33.5
Legs Height	22.16
Left Drainboard Length	15
Right Drainboard Length	15
Backsplash Size	9.7

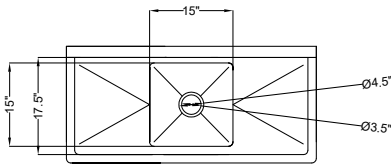
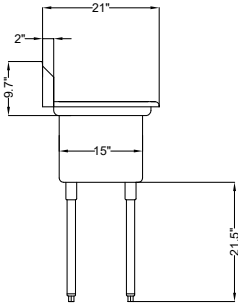
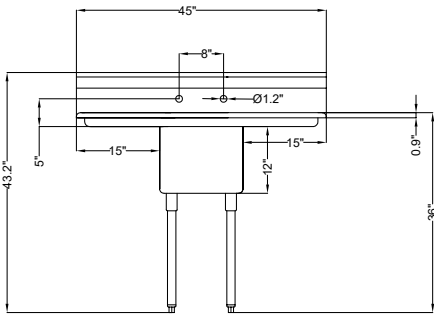
Features & Materials

Exterior Material	Stainless-Steel 304
Color Finish	Stainless-Steel
Drain Included	Yes
Number of Basins	1
Angle of Downward Incline in Basin	2 Degrees
Angle of Downward Incline of Dashboard	6 Degrees
Legs Adjustable	Yes
Gauge of Stainless Steel	18

Certifications

Certifications	NSF
----------------	-----

Plan View



CERTIFICATIONS



706 Eastern Parkway STE 1G, Brooklyn NY 11213
718-576-6342
info@koolmore.com