



SPEC SHEET

KoolMore 48 in. Two Compartment Stainless Steel Commercial Sink with Drainboard, Bowl Size 15" x 15" x 12"

SKU: SB151512-15R3

FEATURES

- Adjustable 1 1/2 bullet feet for the best possible stability.
- 15 in. Right Side Drainboard.
- Rolled edges to prevent overflow.
- Rounded corners for easy cleaning.
- Protective backsplash to prevent splashes.
- Slanted drainboard surface to drain excess water.
- Stainless steel leg sockets.
- Corrosion-resistant galvanized steel legs.
- Stainless steel drain basket included.



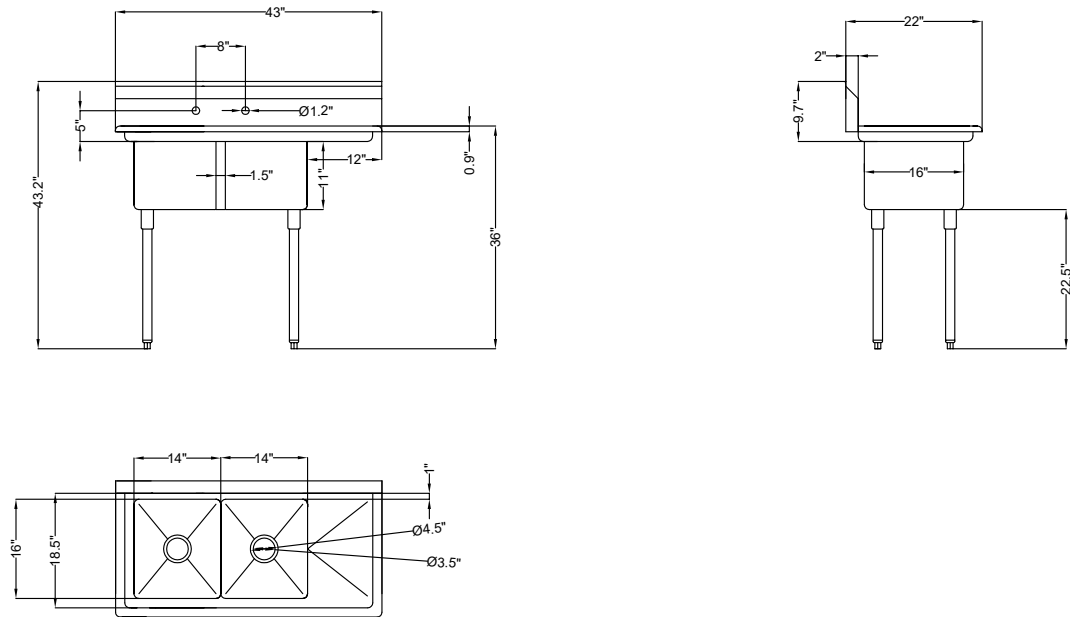
CLOSE UP IMAGES



TECHNICAL SPECS

Feature	Details
Product Dimensions	43.1 in (L) x 48 in (W) x 21 in (H)
Product Weight	45.52 lbs 3.84 oz
Basin Dimensions	15 in. x 15 in. x 12 in. each
Drainboard	15 in. right side drainboard
Material	High-grade heavy-duty 18-gauge 304 type stainless steel
Corners	Rounded for easy cleaning
Feet	Adjustable 1 1/2-inch plastic bullet feet for stability
Pre-punched Holes	1.2-inch holes to fit standard size 8 faucets (faucets not included)
Included Accessories	Four galvanized steel legs, one drain basket and strainer, one Allen wrench, eight screws
Construction	Stainless steel leg sockets, corrosion-resistant galvanized steel legs
Edges	Rolled edges to prevent overflow
Backsplash	Protective backsplash to prevent splashes
Drainboard Surface	Slanted to drain excess water
Certification	NSF certified

Plan View



CERTIFICATIONS



706 Eastern Parkway STE 1G, Brooklyn NY 11213
718-576-6342
info@koolmore.com