



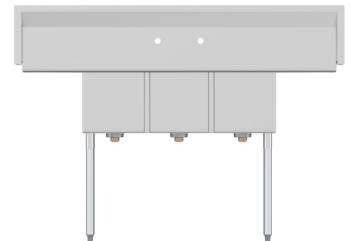
SPEC SHEET

KoolMore 60 in. Three Compartment Stainless Steel Commercial Sink With Drainboards, Bowl Size 12"x 16"x 10"

Model: SC121610-12B3

FEATURES

- Adjustable 1 1/2 bullet feet for the best possible stability.
- Two 12 in. drainboards.
- Rolled edges to prevent overflow.
- Rounded corners for easy cleaning.
- Protective backsplash to prevent splashes.
- Slanted drainboard surface to drain excess water.
- Stainless steel leg sockets.
- Corrosion-resistant galvanized steel legs.
- Stainless steel drain basket included.
- 90-Day Warranty.



CLOSE UP IMAGES



TECHNICAL SPECS

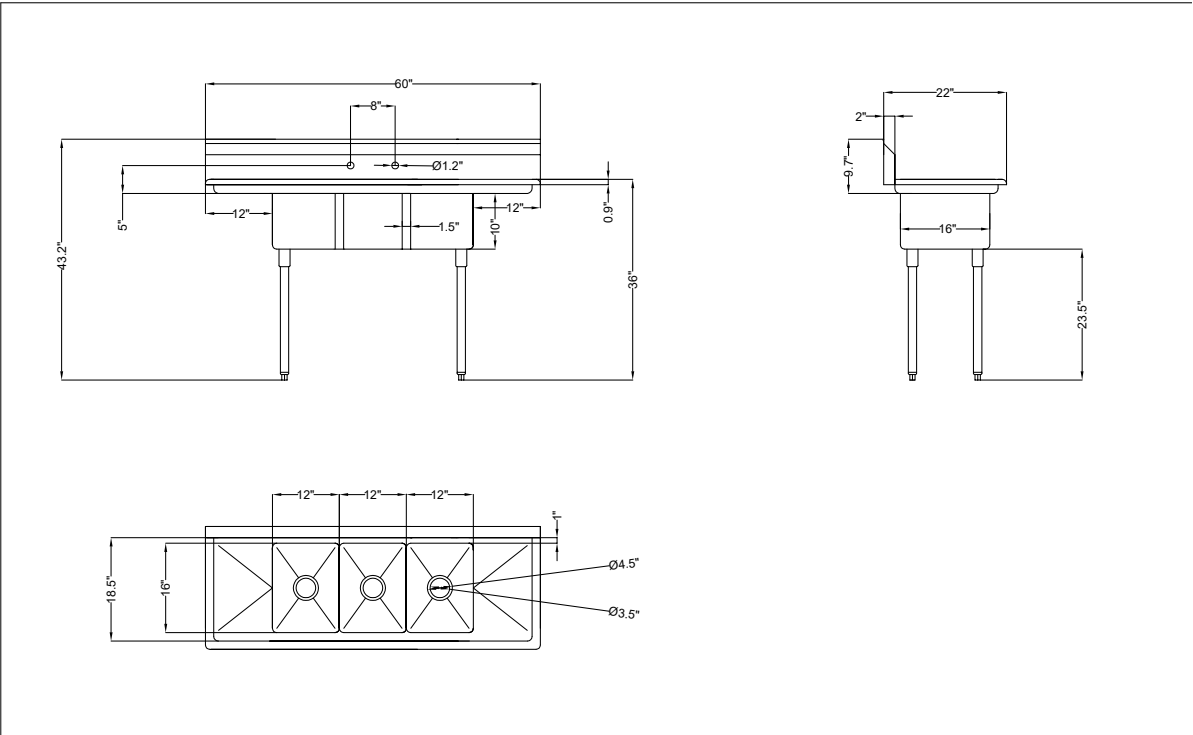
Dimensions

Length	60
Width	22
Height	43.2
Weight (lbs)	54.6
DxWxH of Bowl 1	12x16x10
DxWxH of Bowl 2	12x16x10
DxWxH of Bowl 3	12x16x10
Height From Floor to Bottom of Basin	23.5
Height From Floor to Top of Basin	33.5
Legs Height	22.16
Left Drainboard Length	12
Right Drainboard Length	12
Backsplash Size	9.7

Features & Materials

Exterior Material	Stainless-Steel 304
Color Finish	Stainless-Steel
Drain Included	Yes
Number of Basins	3
Angle of Downward Incline in Basin	2 Degrees
Angle of Downward Incline of Dashboard	6 Degrees
Legs Adjustable	Yes
Gauge of Stainless Steel	18
Certifications	NSF

Plan View



706 Eastern Parkway STE 1G, Brooklyn NY 11213
718-576-6342
info@koolmore.com